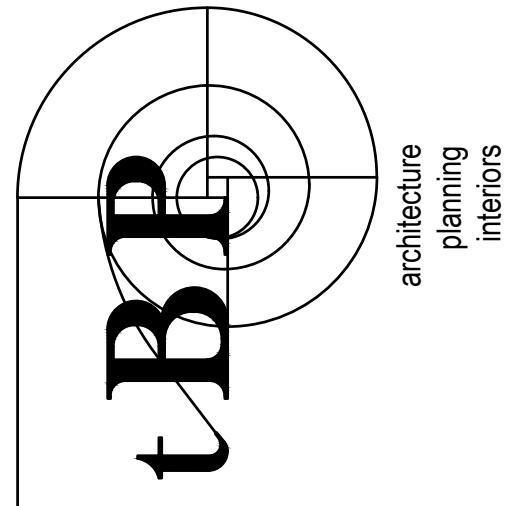


WOODLAND COMMUNITY COLLEGE PERFORMING ARTS/CULINARY SERVICES

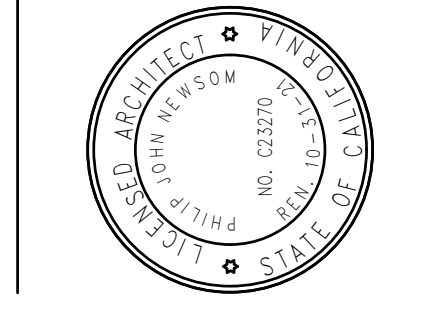
AUDIO, VIDEO AND CONTROL SYSTEMS

DSA Application #02-118286
DSA File #58-C1

agency



architecture
planning
interiors



1BP/Architecture
1777 Oakland Boulevard, Suite 320
Walnut Creek, CA 94596
ph. 925.246.6419

architect

AV SYSTEM CONSULTANT:



Andrew Design Group, Inc.
628-744-9358
adg@AndrewDesign.com
www.AndrewDesign.com

consultant

WOODLAND COMMUNITY COLLEGE
PERFORMING ARTS/
CULINARY SERVICES
FACILITY
2300 E. GIBSON RD., WOODLAND, CA 95776
YUBA COMMUNITY COLLEGE DISTRICT

owner

tBP project number: 22039.00

file name:

drawn by: checked by:

date: Issue Date MAY 17, 2021

rev. date: description:

05/17/2021 BID SET

12/23/2021 ADDENDUM #4

DELTA A17 12/12/2022 ASI 17

FFE 05/30/2023 F&E UPDATE

THIS DRAWING AND THE DESIGN, SPECIFICATIONS, IDEAS AND OTHER INFORMATION CONTAINED HEREIN CONSTITUTE UNPUBLISHED WORK OF ARCHITECTURE AND SHALL REMAIN PROPERTY OF ARCHITECTURE IN PERPETUITY. NO PART THEREOF SHALL BE REPRODUCED, DISCLOSED, DISTRIBUTED, COPIED, PUBLISHED OR OTHERWISE USED IN ANY MANNER WITHOUT THE EXPRESS WRITTEN CONSENT OF ARCHITECTURE.

drawing title:

AV SYSTEMS
SHEET NOTES

drawing no.:

AV-00.00

drawing of

A/V GENERAL NOTES	
EQUIPMENT PLANS, TECHNICAL DRAWINGS AND DOCUMENT NOTES:	
1. THESE AV EQUIPMENT PLANS, TECHNICAL DRAWINGS AND DOCUMENTS ARE TO ILLUSTRATE GENERAL AV SYSTEMS INTEGRATION, THE EXACT LOCATIONS AND INSTALLATION METHODS OF ALL ASSOCIATED DEVICES SHALL BE COORDINATED WITH THE AV SYSTEMS DESIGNER, GENERAL CONTRACTOR, CONSULTING ELECTRICAL ENGINEER, ELECTRICAL CONTRACTOR AND THE APPROPRIATE AUTHORITIES HAVING JURISDICTION. THE LOCATIONS CONTAINED HEREIN ARE BASED SOLELY ON PRELIMINARY DESIGNS AND ALL FINAL LOCATIONS ARE TO BE VERIFIED WITH THE OWNER'S REPRESENTATIVE ON SITE PRIOR TO INSTALLATION.	
2. IF A CONFLICT IS IDENTIFIED, THE APPROPRIATE CONTRACTOR SHALL IMMEDIATELY NOTIFY THE AV SYSTEMS INSTALLER IN WRITING AS TO THE NATURE OF THE CONFLICT NOTED SO CLARIFICATIONS CAN BE PROVIDED AND A RESOLUTION IMPLEMENTED.	
3. THE INFORMATION AND DESIGNS EXPRESSED HEREIN ARE PROPRIETARY AND CONFIDENTIAL AND MAY NOT BE USED OR COPIED WITHOUT THE EXPRESS WRITTEN CONSENT OF THE RIALTO GROUP.	
INSTALLATION NOTES:	
1. THE DESIGNATED GENERAL AND ELECTRICAL CONTRACTORS (SPECIFIED HEREIN AS "THE CONTRACTORS") SHALL PROVIDE, LOCATE AND INSTALL ALL AV SYSTEMS CONDUIT, CABLE TRAYS, J-BOXES, POWER CIRCUITS, POWER CABLE, POWER CONNECTIONS, ETC. DESCRIBED IN THESE DOCUMENTS.	
2. THE CONTRACTORS ARE RESPONSIBLE FOR ADHERING TO ALL NATIONAL AND LOCAL ELECTRICAL, FIRE AND BUILDING CODE REQUIREMENTS.	
3. ALL AV SYSTEMS MINIMUM STANDARD RECEPTACLE HEIGHT IS 18 INCHES (370mm) ABOVE FINISHED FLOOR, UNLESS OTHERWISE NOTED.	
4. ALL AV SYSTEMS MINIMUM STANDARD SWITCH HEIGHT IS 48 INCHES (1220mm) ABOVE FINISHED FLOOR UNLESS OTHERWISE NOTED.	
5. ALL AV SYSTEMS BOXES AND CONDUIT IN NEW WALLS AND CEILINGS SHALL BE FLUSH MOUNTED OR CONCEALED FROM GUESTS VIEW, UNLESS OTHERWISE NOTED.	
POWER CONNECTION NOTES:	
1. ALL AV EQUIPMENT SHOWN SHOULD BE SUPPLIED FROM A DEDICATED "TECHNICAL-POWER" CIRCUIT, WHICH IS DEFINED AS AC POWER DEDICATED TO THE AUDIO VISUAL SYSTEM. "TECHNICAL-POWER" MAY BE DERIVED FROM A DEDICATED SHIELDED ISOLATION TRANSFORMER OR UNINTERRUPTIBLE POWER SUPPLY (UPS). THIS IS REQUIRED SO POWER SPIKES CAUSED BY, FOR EXAMPLE, AN AIR-CONDITIONING MOTOR CYCLING WILL NOT AFFECT THE AV SYSTEM. THE GENERAL OR ELECTRICAL CONTRACTOR IS RESPONSIBLE TO SOURCE A SUITABLE 3-PHASE SHIELDED ISOLATION TRANSFORMER, THE OUTPUT OF WHICH WOULD BE DISTRIBUTED THROUGHOUT THE FACILITY EXCLUSIVELY FOR AV SYSTEMS USE.	
2. THE CONTRACTORS SHALL USE #12 AWG MINIMUM STRANDED COPPER CONDUCTORS FOR ALL AV POWER CIRCUITS, UNLESS OTHERWISE NOTED. ALL AV CIRCUITS WILL BE FED FROM THE AV ISOLATED GROUND POWER PANEL. THE ISOLATED GROUND POWER PANEL SHALL BE FED FROM A DEDICATED SHIELDED ISOLATION TRANSFORMER.	
3. ALL AV SYSTEMS CIRCUITS REQUIRE INDEPENDENT NEUTRAL, GROUND AND ISOLATED GROUND CONDUCTORS OF EQUAL CURRENT CARRYING CAPACITY PER CIRCUIT, UNLESS OTHERWISE NOTED.	
4. ALL AV POWER CIRCUITS NEED TO BE SERVICED BY A DEDICATED "TECHNICAL GROUND" DEFINED AS A DEDICATED GROUND (EARTH) NETWORK WHICH IS GROUNDED AT A SINGLE POINT ONLY (THE MAIN EARTH/GROUND FOR THE BUILDING). THIS IS TO AVOID THE OCCURRENCE OF "GROUND-LOOPS," TO WHICH AV SYSTEMS ARE PARTICULARLY SUSCEPTIBLE. THIS IS ACCOMPLISHED BY THE USE OF ISOLATED GROUND OUTLETS IN THE SHOW AREAS, ISOLATED GROUND WIRE, ISOLATED DEDICATED AV-GROUND BUSS-BARS IN ALL DISTRIBUTION BOXES, AND AN INSULATED-GROUND SUPPLY TO EACH EQUIPMENT RACK.	
5. A DEDICATED GROUND BUSS BAR WILL BE PROVIDED BY THE GENERAL OR ELECTRICAL CONTRACTOR FOR THE EXCLUSIVE USE OF THE AV SYSTEMS. THIS BUSS BAR WILL SERVE AS A TERMINATION POINT FOR ALL EQUIPMENT RACK FRAME GROUNDS AND AC POWER PANEL ISOLATED GROUND CONDUCTORS. THE AV SYSTEM TECHNICAL GROUND BUSS BAR WILL BE CONNECTED TO THE FACILITY GROUND AT ONE POINT ONLY.	
6. EACH AV SYSTEM EQUIPMENT RACK WILL BE CONNECTED TO THE TECHNICAL POWER GROUND BUSS BAR VIA A DEDICATED #4 AWG GREEN COPPER WIRE. THE AV RACKS WILL BE ISOLATED FROM BUILDING STEEL, CABLE TRAYS, ELECTRICAL CONDUIT AND ANY OTHER OBJECT OR DEVICE THAT WOULD COMPROMISE THE ISOLATED GROUND SYSTEM. ALL CONDUITS ENTERING THE EQUIPMENT RACKS WILL BE ISOLATED FROM THE ENCLOSURE ITSELF WITH AN INSULATED FITTING.	
AV EQUIPMENT ROOM REQUIREMENTS:	
1. THE CONTRACTORS SHALL ENSURE THAT ALL ELECTRONIC EQUIPMENT ROOMS BE CLEAN AND DUST FREE PRIOR TO INSTALLATION OF ANY AV ELECTRONIC EQUIPMENT.	
2. THE CONTRACTORS SHALL PROVIDE SEPARATE DEDICATED HVAC UNIT CAPABLE OF 24 HOURS OF UNINTERRUPTED OPERATION PER DAY FOR THE ELECTRONIC EQUIPMENT ROOM. THIS UNIT SHALL BE OPERATIONAL FOR MINIMUM OF 48 HOURS AND THE FILTERS REPLACED PRIOR TO INSTALLATION OF AV SYSTEMS RACKS.	
3. THE ELECTRONIC EQUIPMENT ROOM SHALL BE MAINTAINED FROM 65°F TO 75°F AND 10% TO 90% RELATIVE HUMIDITY NON-CONDENSING.	
4. THE CONTRACTORS SHALL SEAL ALL CONCRETE SURFACES, WALLS, FIRE PROOFING, ETC. AND/OR PROVIDE VINYL FLOOR, PAINTED WALLS AND DROP ACOUSTICAL CEILING IN THE ELECTRONIC EQUIPMENT ROOM TO PREVENT DUST IN THE EQUIPMENT AREA THAT WILL AFFECT THE AV SYSTEMS SHOW EQUIPMENT.	
LIFE-SAFETY SYSTEMS:	
1. FACILITY FIRE ALARM SYSTEM SHALL PROVIDE A SET OF DRY NORMALLY CLOSED CONTACTS TO INHIBIT AUDIO VISUAL EQUIPMENT DURING A FIRE CONDITION WHEN REQUIRED BY THE AUTHORITY HAVING JURISDICTION.	

GENERAL ABBREVIATIONS			
A	AMP(S)	E	EAST
AC	ALTERNATING CURRENT	EA	EACH
ADA	AMERICANS WITH DISABILITY ACT	EC	ELECTRICAL CONTRACTOR
AF	ABOVE FINISHED FLOOR	EE	ELECTRIC ENGINEER
AFG	ABOVE FINISHED GRADE	ELEC	ELECTRIC
AHJ	AUTHORITY HAVING JURISDICTION	ENCL	ENCLOSURE
AME	ASSOCIATES IN MEDIA ENGINEERING, INC.	EQ	EQUAL
ARCH	ARCHITECT OR ARCHITECTURAL	EQUIV	EQUIVALENT
AV	AUDIO VISUAL SHOW SYSTEMS	EST	ESTIMATED
AWG	AMERICAN WIRE GAUGE	EXST	EXISTING
&	AND		
±	APPROXIMATELY (PLUS OR MINUS)	FF	FINISHED FLOOR
@	AT	FG	FINISHED GRADE
BGM	BACKGROUND MUSIC	FL	FLOOR
BLDG	BUILDING	FOH	FRONT OF HOUSE
BS	BACKSTAGE	FT	FOOT or FEET
CL	CENTER LINE	GC	GENERAL CONTRACTOR
CS	CENTER STAGE	GFI	GROUND FAULT CIRCUIT INTERRUPTER
DET	DETAIL	GND	GROUND
Ø	DIAMETER OR PHASE	HOR	HORIZONTAL
DEL	DELETED	HT	HEIGHT
DIA	DIAMETER	HVAC	HEATING, VENTILATION & AIR CONDITIONING
DM	DIMENSION	IN	INPUT
DMX	DIGITAL MULTIPLEX SIGNAL	IN	INCH or INCHES
DS	DOWN STAGE	J-BOX	ELECTRICAL JUNCTION BOX
DSC	DOWN STAGE CENTER	KVA	KILOVOLT AMPS
DSL	DOWN STAGE LEFT	Kg	KILOGRAMS
DSR	DOWN STAGE RIGHT	KW	KILOWATTS
DWG	DRAWING		
LB(S)	POUND(S)	S	SOUTH
LED	LIGHT EMITTING DIODE	SCHD	SCHEDULE
LT(G)	LIGHTING	SE	SECTION
MAX	MAXIMUM	SHBD	SHEET BORDER OR TILE BLOCK
M	METER	SHT	SHEET
MM	MILLIMETER	SL	STAGE LEFT
MFG	MANUFACTURER	SL	SPECIFICATION
MIN	MINIMUM	SR	STAGE RIGHT
MISC	MISCELLANEOUS	SIS	STAINLESS STEEL
N	NORTH	STD	STANDARD
N/A	NOT APPLICABLE	SUSP	SUSPENDED
NIC	NOT IN CONTRACT	TBD	TO BE DETERMINED
NO	NUMBER	TEMP	TEMPERATURE
<	NOT TO EXCEED or LESS THAN	TEL	TELEPHONE
NTS	NOT TO SCALE	TYP.	TYPICAL
OC	ON CENTER	U.O.N.	UNLESS OTHERWISE NOTED
OD	OUTSIDE DIAMETER	US	UPSTAGE
OFE	OWNER FURNISHED EQUIPMENT	USC	UPSTAGE CENTER
OS	OFF STAGE	USL	UPSTAGE LEFT
OUT	OUTPUT	USR	UPSTAGE RIGHT
PR	PAIR	V	VOLT(S)
R	RADIUS	VAC	VOLTS ALTERNATING CURRENT
RCP	REFLECTED CEILING PLAN	VERT	VERTICAL
REV	REVISION	VIF	VERIFY IN FIELD
REQ	REQUIRED	W	WATT(S) or WEST
RF	RADIO FREQUENCY	W	WITH
RM	ROOM	WO	WITHOUT
RU	RACK UNIT(S) (1.75745mm)	WT	WEIGHT

A/V DEVICE ABBREVIATIONS			
NOTE: THE AUDIO VISUAL ABBREVIATIONS LISTED HEREIN ARE NOT ALL NECESSARILY USED IN THIS DESIGN PACKAGE.			
ABB	AUDIO BREAKOUT BOX	FPB	FIBER PATCH BAY
ACD	AC DISTRIBUTION	PCE	PRODUCTION COMMUNICATION EQUIPMENT
ADS	AUDIO DISTRIBUTION SYSTEM	PRJ	VIDEO PROJECTOR
ALS	ASSISTED LISTENING SYSTEM	PSU	POWER SUPPLY UNIT
AMP	AMPLIFIER	PTZ	PAN, TILT AND ZOOM CONTROLLER
APB	AUDIO PATCH BAY	VBA	VIDEO BREAKOUT BOX
ASP	AUDIO SIGNAL PROCESSOR	VDB	VIDEO DISTRIBUTION AMPLIFIER
AVR	EQUIPMENT RACK	VFB	VIDEO PATCH BAY
		VSP	VIDEO SIGNAL PROCESSOR
		VTR	VIDEO TAPE RECORDER
CAM	VIDEO CAMERA	RCP	RACK CONNECTOR PANEL
CBB	SHOW CONTROL BREAKOUT BOX	RFB	RECESSED FLOOR BOX
CDP	CD PLAYER	RPP	REMOTE PROGRAMMING PANEL
CTL	CONTROLLER	RTR	ROUTER
		WMS	WIRELESS MICROPHONE SYSTEM
DSP	DIGITAL SIGNAL PROCESSOR	NID	NETWORK INTERFACE DEVICE
DVD	DVD PLAYER	OCB	OPERATOR CONTROL PANEL
		SBB	LOUDSPEAKER ENCLOSURE BREAKOUT BOX
		SCN	PROJECTION SCREEN
		SPK	LOUDSPEAKER ENCLOSURE
		TJB	TERMINAL JUNCTION BOX

A/V DRAWING SHEET INDEX				
SHEET NUMBER	DRAWING TITLE	ISSUE DATE	SCALE	REVISION DATE
AV00.00	AUDIO VISUAL TITLE SHEET WITH DRAWING SHEET INDEX, SYMBOL LEGEND, GENERAL NOTES FOR THE OWNER AND CONTRACTORS AND ABBREVIATIONS	26 FEB, 2020	NONE	17 MAY 2021
AV1.00/AV1.01	AV JUNCTION BOX SCHEDULE	14 SEPT, 2020	NONE	30 MAY 2023
AV101	AV JUNCTION BOX PLAN 1st FLOOR THEATER	26 FEB, 2020	1/8" = 1-0"	17 MAY 2021
AV102	AV JUNCTION BOX PLAN 2nd FLOOR THEATER	26 FEB, 2020	1/8" = 1-0"	17 MAY 2021
AV103	AV JUNCTION BOX PLAN BASEMENT THEATER	5 JUN, 2020	1/8" = 1-0"	17 MAY 2021
AV104	AV JUNCTION BOX PLAN CATWALK LEVEL THEATER	5 JUN, 2020	1/8" = 1-0"	17 MAY 2021
AV105	AV JUNCTION BOX PLAN 1st FLOOR CLASSROOMS	5 JUN, 2020	1/8" = 1-0"	30 MAY 2023
AV201	AV JUNCTION BOX RCP 1st FLOOR THEATER	26 FEB, 2020	1/8" = 1-0"	22 DEC 2020
AV202	AV JUNCTION BOX RCP 2nd FLOOR THEATER	26 FEB, 2020	1/8" = 1-0"	22 DEC 2020
AV205	AV JUNCTION BOX RCP 1st FLOOR CLASSROOMS	26 FEB, 2020	1/8" = 1-0"	22 DEC 2020
AV301	AV JUNCTION BOX PLAN CONTROL BOOTH	26 FEB, 2020	3/8" = 1-0"	14 SEPT 2020
AV501	AV SINGLE LINE SCHEMATIC - THEATER	14 SEPT 2020	NONE	30 MAY 2023
AV502	AV SINGLE LINE SCHEMATIC - THEATER	14 SEPT 2020	NONE	22 DEC 2020
AV503	AV SINGLE LINE SCHEMATIC - THEATER	14 SEPT 2020	NONE	22 DEC 2020
AV504	AV SINGLE LINE SCHEMATIC - THEATER	14 SEPT 2020	NONE	22 DEC 2020
AV505	AV SINGLE LINE SCHEMATIC - THEATER	14 SEPT 2020	NONE	22 DEC 2020
AV506	AV SINGLE LINE SCHEMATIC - THEATER	14 SEPT 2020	NONE	22 DEC 2020
AV507	AV SINGLE LINE SCHEMATIC - CLASS ROOMS	14 SEPT 2020	NONE	22 DEC 2020
AV508	AV SINGLE LINE SCHEMATIC - CLASS ROOMS	14 SEPT 2020	NONE	22 DEC 2020
AV509	AV SINGLE LINE SCHEMATIC - CLASS ROOMS	14 SEPT 2020	NONE	22 DEC 2020
AV510	AV SINGLE LINE SCHEMATIC - CLASS ROOMS	14 SEPT 2020	NONE	22 DEC 2020
AV511	AV SINGLE LINE SCHEMATIC - CLASS ROOMS	14 SEPT 2020	NONE	17 MAY 2021
AV512	AV SINGLE LINE SCHEMATIC - CLASS ROOMS	14 SEPT 2020	NONE	12 DEC 2022
AV513	AV SINGLE LINE SCHEMATIC - CLASS ROOMS	14 SEPT 2020	NONE	30 MAY 2023
AV514	AV SINGLE LINE SCHEMATIC - CLASS ROOMS	14 SEPT 2020	NONE	12 DEC 2022
AV601	AV SPEAKER PLAN 1st FLOOR	05 JUN, 2020	3/16" = 1-0"	22 DEC 2020
AV602	AV SPEAKER PLAN 2nd FLOOR	05 JUN, 2020	3/16" = 1-0"	22 DEC 2020
AV603	AV MAIN SPEAKER PLAN 2nd FLOOR	05 JUN, 2020	3/16" = 1-0"	22 DEC 2020
AV604	AV SPEAKER LAYOUT LCR SIDE WALL SECTION	05 JUN, 2020	3/16" = 1-0"	22 DEC 2020
AV605	AV SYSTEM VIDEO PROJECTION	05 JUN, 2020	3/16" = 1-0"	17 MAY 2021
AV606	AV SYSTEM VIDEO PROJECTION PLAN	05 JUN, 2020	3/16" = 1-0"	17 MAY 2021
AV610	AV SYSTEMS MIXING BOOTH EQUIPMENT ELEVATION DETAILS	05 JUN, 2020	3/4" = 1-0"	22 DEC 2020
AV611	AV SYSTEMS VIDEO DISPLAYS AND EQUIPMENT MOUNTING DETAILS	05 JUN, 2020	1/2" = 1-0"	22 DEC 2020
AV612	AV PROJECTION LAYOUT SOUTHWING CLASSROOMS	05 JUN, 2020	1/2" = 1-0"	22 DEC 2020
AV613	AV SYSTEMS EQUIPMENT DETAILS	14 SEPT 2020	1/4" = 1-0"	12 DEC 2022
AV614	AV SYSTEMS EQUIPMENT DETAILS	05 JUN, 2020	1 1/2" = 1-0"	17 MAY 2021
AV615	AV SYSTEMS EQUIPMENT DETAILS	05 JUN, 2020	1 1/2" = 1-0"	17 MAY 2021
AV616	AV SYSTEMS EQUIPMENT DETAILS	05 JUN, 2020	1 1/2" = 1-0"	17 MAY 2021
AV701	AV SYSTEMS RACK ELEVATION	5 JUN, 2020	NONE	30 MAY 2023
AV702	AV SYSTEMS RACK ELEVATION	5 JUN, 2020	NONE	30 MAY 2023
AV703	AV SYSTEMS RACK ELEVATION	14 SEPT 2020	NONE	22 DEC 2020
AV704	AV SYSTEMS RACK ELEVATION	14 SEPT 2020	NONE	22 DEC 2020
AV705	AV SYSTEMS RACK ELEVATION	14 SEPT 2020	NONE	22 DEC 2020
AV706	AV SYSTEMS AV PANEL DETAILS	26 FEB, 2020	NONE	12 DEC 2022

SYMBOL LEGEND																																					
SINGLE LINE SYMBOLS																																					
<p>DEVICE</p> <p>INDICATES DEVICE CONTINUATION</p> <p>GENERAL</p> <p>WIRE BUSS</p> <p>Y CONNECTION</p> <p>DRAWING NUMBER TO DEVICE ID OFF PAGE FLAG SOURCE</p> <p>DRAWING NUMBER FROM DEVICE ID OFF PAGE FLAG DESTINATION</p> <p>(A) SAME PAGE FLAG</p>	<p>AUDIO PATCHBAY</p> <p>INDICATES FULL NORMALIZED PATCHPOINT</p> <p>INDICATES HALF NORMALIZED PATCHPOINT</p> <p>INDICATES NON-NORMALIZED PATCHPOINT</p>																																				
PANEL DETAIL SYMBOLS																																					
XLR 3 - FEMALE XLR 3 - MALE XLR 4 - FEMALE XLR 4 - MALE NL4 - MALE RCA - FEMALE	BNC - FEMALE DB15HD - FEMALE RJ45 - FEMALE DB9 - FEMALE DC POWER JACK EN3 - FEMALE W2 MULTIPIN																																				
PLAN SYMBOLS																																					
JUNCTION BOX WALL JUNCTION BOX CEILING QUAD POWER OUTLET WALL ISOLATED GROUND DUPLEX POWER OUTLET WALL QUAD POWER OUTLET CEILING ISOLATED GROUND DUPLEX POWER OUTLET CEILING	<p>CABLE SCHEDULE</p> <table border="1"> <thead> <tr> <th>DESIGNATOR</th> <th>CABLE TYPE</th> <th>SIGNAL TYPE</th> </tr> </thead> <tbody> <tr> <td>A</td> <td>BELDEN 9451</td> <td>AUDIO</td> </tr> <tr> <td>C</td> <td>BELDEN 8762</td> <td>INTERCOM</td> </tr> <tr> <td>D</td> <td>BELDEN 9451</td> <td>RELAY CONTROL</td> </tr> <tr> <td>N</td> <td>BELDEN 1694A</td> <td>HD-SDI</td> </tr> <tr> <td>H</td> <td>BELDEN 2412F</td> <td>NETWORK/DXLINK</td> </tr> <tr> <td>R</td> <td>BELDEN 7806A</td> <td>RF</td> </tr> <tr> <td>S</td> <td>BELDEN 1860A</td> <td>SPEAKER 12AWG</td> </tr> <tr> <td>T</td> <td>BELDEN 6T00UP</td> <td>SPEAKER 10 AWG</td> </tr> <tr> <td>V</td> <td>BELDEN 1505A</td> <td>VIDEO</td> </tr> <tr> <td>X</td> <td>BELDEN 1502R</td> <td>AXLINK</td> </tr> <tr> <td>W</td> <td>CLEARCOMQ26671-1</td> <td>RF INTERCOM</td> </tr> </tbody> </table> <p>HOMERUN</p> <p>CABLE QUANTITY</p> <p>CABLE TYPE (SEE SCHEDULE ON COVER SHEET)</p>	DESIGNATOR	CABLE TYPE	SIGNAL TYPE	A	BELDEN 9451	AUDIO	C	BELDEN 8762	INTERCOM	D	BELDEN 9451	RELAY CONTROL	N	BELDEN 1694A	HD-SDI	H	BELDEN 2412F	NETWORK/DXLINK	R	BELDEN 7806A	RF	S	BELDEN 1860A	SPEAKER 12AWG	T	BELDEN 6T00UP	SPEAKER 10 AWG	V	BELDEN 1505A	VIDEO	X	BELDEN 1502R	AXLINK	W	CLEARCOMQ26671-1	RF INTERCOM
DESIGNATOR	CABLE TYPE	SIGNAL TYPE																																			
A	BELDEN 9451	AUDIO																																			
C	BELDEN 8762	INTERCOM																																			
D	BELDEN 9451	RELAY CONTROL																																			
N	BELDEN 1694A	HD-SDI																																			
H	BELDEN 2412F	NETWORK/DXLINK																																			
R	BELDEN 7806A	RF																																			
S	BELDEN 1860A	SPEAKER 12AWG																																			
T	BELDEN 6T00UP	SPEAKER 10 AWG																																			
V	BELDEN 1505A	VIDEO																																			
X	BELDEN 1502R	AXLINK																																			
W	CLEARCOMQ26671-1	RF INTERCOM																																			

PULL FROM	DEVICE	PULL TO	SIGNAL TYPE	CABLE QTY	CABLE TYPE	CABLE MFG	CABLE SIZE	CABLE DESCRIPTION	CABLE OD	J-BOX TYPE	MOUNTING TYPE	MOUNTING HEIGHT	Associated Power (Watts)
THEATER STAGE													
ICP01-01	CUSTOM PANEL - MIC/TIE LINES	AVR01-02	Network	4	N	Belden	2412F	CAT6+, Shielded	0.29"	6-Gang	Flush	+14" AFF	0
		AVR01-01	Intercom	2	C	Belden	8762	20awg, 1pr, Shielded	0.204"				
		AVR01-02	Video	1	H	Belden	4794R	HD-SDI 12G	0.320"				
		AVR01-01	Audio	2	A	BELDEN	9451	22AWG, 1PR, SHIELDED	0.135"				
ICP01-02	CUSTOM PANEL - MIC/TIE LINES	AVR01-02	Network	4	N	Belden	2412F	CAT6+, Shielded	0.29"	6-Gang	Flush	+14" AFF	0
		AVR01-01	Intercom	2	C	Belden	8762	20awg, 1pr, Shielded	0.204"				
		AVR01-02	Video	1	H	Belden	4794R	HD-SDI 12G	0.320"				
		AVR01-01	Audio	2	A	BELDEN	9451	22AWG, 1PR, SHIELDED	0.135"				
DAC01-01	Allen & Heath DT164-W	AVR01-02	Network	1	N	Belden	2412F	CAT6+, Shielded	0.29"	12" x 12"	Flush	+14" AFF	40W
DAC01-02	Allen & Heath DT164-W	AVR01-02	Network	1	N	Belden	2412F	CAT6+, Shielded	0.29"	12" x 12"	Flush	+14" AFF	40W
ICP10-14	Custom Panel - Speaker	AVR01-01	Speaker	1	S	Belden	1860A	12awg, Stranded, 1pr	0.27"	1-Gang	Flush	See AV-604	0
ICP10-15	Custom Panel - Speaker	AVR01-01	Speaker	1	S	Belden	1860A	12awg, Stranded, 1pr	0.27"	1-Gang	Flush	See AV-604	0
FLB01-01	Custom Panel - Floor Box	AVR01-01	Audio	2	A	BELDEN	9451	22AWG, 1PR, SHIELDED	0.135"	FLOOR BOX -FSR-FL-600P-5	FLUSH	Floor	0
		AVR01-02	Video	1	H	Belden	4794R	HD-SDI 12G	0.320"				
		AVR01-01	Network	5	N	Belden	2412F	CAT6+, Shielded	0.29"				
		AVR01-02	Network	2	C	Belden	8762	20awg, 1pr, Shielded	0.204"				
FLB01-02	Custom Panel - Floor Box	AVR01-01	Audio	2	A	BELDEN	9451	22AWG, 1PR, SHIELDED	0.135"	FLOOR BOX -FSR-FL-600P-5	FLUSH	Floor	0
		AVR01-02	Video	1	H	Belden	4794R	HD-SDI 12G	0.320"				
		AVR01-01	Network	5	N	Belden	2412F	CAT6+, Shielded	0.29"				
		AVR01-02	Network	2	C	Belden	8762	20awg, 1pr, Shielded	0.204"				
THEATER HOUSE													
ICP07-01	Custom Panel - Cam	AVR01-02	Network	1	N	Belden	2412F	CAT6+, Shielded	0.29"	1-Gang	Flush	See AV-610	0
ICP04-01	Custom Panel - Antenna	AVR01-01	RF	1	R	Belden	7808A	RG-8x	0.24"	1-Gang	Flush	See AV-610	0
ICP04-02	Custom Panel - Antenna	AVR01-01	RF	1	R	Belden	7808A	RG-8x	0.24"	1-Gang	Flush	See AV-610	0
ICP04-03	Custom Panel - Antenna	AVR01-01	RF	1	R	Belden	7808A	RG-8x	0.24"	1-Gang	Flush	See AV-610	0
ICP11-01	Custom Panel - Mic Panel	AVR01-01	Audio	1	A	Belden	9451	22awg, 1pr, Shielded	0.135"	1-Gang	Flush	Catwalk	0
ICP05-01	Custom Panel - Speaker	AVR01-01	Speaker	3	S	Belden	1860A	12awg, Stranded, 1pr	0.27"	3-Gang	Flush	Ceiling	0
ICP05-02	Custom Panel - Speaker	AVR01-01	Speaker	3	S	Belden	1860A	12awg, Stranded, 1pr	0.27"	3-Gang	Flush	Ceiling	0
ICP10-01	Custom Panel - Speaker	AVR01-01	Speaker	1	S	Belden	1860A	12awg, Stranded, 1pr	0.27"	1-Gang	Flush	See AV-604	0
ICP10-02	Custom Panel - Speaker	AVR01-01	Speaker	1	S	Belden	1860A	12awg, Stranded, 1pr	0.27"	1-Gang	Flush	See AV-604	0
ICP10-03	Custom Panel - Speaker	AVR01-01	Speaker	1	S	Belden	1860A	12awg, Stranded, 1pr	0.27"	1-Gang	Flush	See AV-604	0
ICP10-04	Custom Panel - Speaker	AVR01-01	Speaker	1	S	Belden	1860A	12awg, Stranded, 1pr	0.27"	1-Gang	Flush	See AV-604	0
ICP10-05	Custom Panel - Speaker	AVR01-01	Speaker	1	S	Belden	1860A	12awg, Stranded, 1pr	0.27"	1-Gang	Flush	See AV-610	0
ICP10-06	Custom Panel - Speaker	AVR01-01	Speaker	1	S	Belden	1860A	12awg, Stranded, 1pr	0.27"	1-Gang	Flush	See AV-610	0
ICP10-07	Custom Panel - Speaker	AVR01-01	Speaker	1	S	Belden	1860A	12awg, Stranded, 1pr	0.27"	1-Gang	Flush	See AV-610	0
ICP10-08	Custom Panel - Speaker	AVR01-01	Speaker	1	S	Belden	1860A	12awg, Stranded, 1pr	0.27"	1-Gang	Flush	See AV-610	0
ICP10-09	Custom Panel - Speaker	AVR01-01	Speaker	1	S	Belden	1860A	12awg, Stranded, 1pr	0.27"	1-Gang	Flush	See AV-610	0
ICP10-10	Custom Panel - Speaker	AVR01-01	Speaker	1	S	Belden	1860A	12awg, Stranded, 1pr	0.27"	1-Gang	Flush	See AV-604	0
ICP10-11	Custom Panel - Speaker	AVR01-01	Speaker	1	S	Belden	1860A	12awg, Stranded, 1pr	0.27"	1-Gang	Flush	See AV-604	0
ICP10-12	Custom Panel - Speaker	AVR01-01	Speaker	1	S	Belden	1860A	12awg, Stranded, 1pr	0.27"	1-Gang	Flush	See AV-604	0
ICP10-13	Custom Panel - Speaker	AVR01-01	Speaker	1	S	Belden	1860A	12awg, Stranded, 1pr	0.27"	1-Gang	Flush	See AV-604	0
ICP05-03	Custom Panel - Speaker	AVR01-01	Speaker	3	S	Belden	1860A	12awg, Stranded, 1pr	0.27"	3-Gang	Flush	Ceiling	0
ICP05-04	Custom Panel - Speaker	AVR01-01	Speaker	2	S	Belden	1860A	12awg, Stranded, 1pr	0.27"	3-Gang	Flush	Ceiling	0
ICP05-05	Custom Panel - Speaker	AVR01-01	Speaker	2	S	Belden	1860A	12awg, Stranded, 1pr	0.27"	3-Gang	Flush	Ceiling	0
FLB01-03	Custom Panel - Mix Position	AVR01-01	Audio	4	A	Belden	9451	22awg, 1pr, Shielded	0.135"	FLOOR BOX -FSR-FL-600P-5	Flush	Floor	0
		AVR01-02	Network	2	C	Belden	8762	20awg, 1pr, Shielded	0.204"				
		AVR01-02	Video	1	H	Belden	4794R	HD-SDI 12G	0.320"				
		AVR01-01	Network	4	N	Belden	2412F	CAT6+, Shielded	0.29"				
ICP18-01	Custom Panel - Video Panel	AVR01-02	Network	1	N	Belden	2412F	CAT6+, Shielded	0.29"	2-Gang	Flush	Catwalk	0
		AVR01-02	Video	1	H	Belden	4794R	HD-SDI 12G	0.320"				
ICP18-02	Custom Panel - Video Panel	AVR01-02	Network	1	N	Belden	2412F	CAT6+, Shielded	0.29"	2-Gang	Flush	Catwalk	0
		AVR01-02	Video	1	H	Belden	4794R	HD-SDI 12G	0.320"				
ICP18-03	Custom Panel - Video Panel	AVR01-02	Network	1	N	Belden	2412F	CAT6+, Shielded	0.29"	2-Gang	Flush	Catwalk	0
		AVR01-02	Video	1	H	Belden	4794R	HD-SDI 12G	0.320"				
ICP18-04	Custom Panel - Video Panel	AVR01-02	Network	1	N	Belden	2412F	CAT6+, Shielded	0.29"	2-Gang	Flush	Catwalk	0
		AVR01-02	Video	1	H	Belden	4794R	HD-SDI 12G	0.320"				
PROJECTION BOOTH LOCATION													
ICP02-01	Custom Panel - Mic/Tie/Net/SDI	AVR01-01	Audio	2	A	Belden	9451	22awg, 1pr, Shielded	0.135"	6-Gang	Flush	See AV-610	0
		AVR01-01	Intercom	2	C	Belden	8762	20awg, 1pr, Shielded	0.204"				
		AVR01-02	Video	2	H	Belden	4794R	HD-SDI 12G	0.320"				
		AVR01-02	Network	4	N	Belden	2412F	CAT6+, Shielded	0.29"				
ICP02-02	Custom Panel - Mic/Tie/Net/SDI	AVR01-01	Audio	2	A	Belden	9451	22awg, 1pr, Shielded	0.135"	6-Gang	Flush	See AV-610	0
		AVR01-01	Intercom	2	C	Belden	8762	20awg, 1pr, Shielded	0.204"				
		AVR01-02	Video	2	H	Belden	4794R	HD-SDI 12G	0.320"				
		AVR01-02	Network	4	N	Belden	2412F	CAT6+, Shielded	0.29"				
SPK04-01	Extron SF 26CT	SPK04-02	Speaker	1	S	Belden	1860A	12awg, Stranded, 1pr	0.27"	1-Gang	Flush	Ceiling	0
SPK04-02	Extron SF 26CT	AVR01-01	Speaker	1	S	Belden	1860A	12awg, Stranded, 1pr	0.27"	1-Gang	Flush	Ceiling	0
ICP09-08	ClearCom WP-2	AVR01-01	Intercom	2	C	Belden	8762	20awg, 1pr, Shielded	0.204"	1-Gang	Flush	See AV-610	0
ICP09-09	ClearCom WP-2	AVR01-01	Intercom	2	C	Belden	8762	20awg, 1pr, Shielded	0.204"	1-Gang	Flush	See AV-610	0
ICP06-06	Custom Panel - Display	AVR01-02	Network	2	N	Belden	2412F	CAT6+, Shielded	0.29"	2-Gang	Flush	Ceiling	0
AVR01-02	Coming CCH-DIU-FIBER Termination	AVR01-01	Network	1	Z	N/A	N/A	N/A	N/A	In Rack Mount	N/A	N/A	0
ICP08-01	Custom Panel - Booth Net	AVR01-02	Network	4	N	Belden	2412F	CAT6+, Shielded	0.29"	3-Gang	Flush	See Dwg AV6.05	0
ICP08-02	Custom Panel - Booth Net	AVR01-02	Network	4	N	Belden	2412F	CAT6+, Shielded	0.29"	3-Gang	Flush	See Dwg AV6.05	0
FOLLOW SPOT													
ICP09-06	ClearCom WP-2	AVR01-01	Intercom	2	C	Belden	8762	20awg, 1pr, Shielded	0.204"	1-Gang	Flush	+48" AFF	0
ICP09-07	ClearCom WP-2	AVR01-01	Intercom	2	C	Belden	8762	20awg, 1pr, Shielded	0.204"	1-Gang	Flush	+48" AFF	0
ORCHESTRA PIT													
DAC01-04	Allen & Heath DT164-W	AVR01-02	Network	1	N	Belden	2412F	CAT6+, Shielded	0.29"	12" x 12"	Surface	+14" AFF	0
ICP09-04	ClearCom WP-2	AVR01-01	Intercom	2	C	Belden	8762	20awg, 1pr, Shielded	0.204"	1-Gang	Flush	+48" AFF	0
DAC01-03	Allen & Heath DT164-W	AVR01-02	Network	1	N	Belden	2412F	CAT6+, Shielded	0.29"	12" x 12"	Surface	+14" AFF	0
ICP09-05	ClearCom WP-2	AVR01-01	Intercom	2	C	Belden	8762	20awg, 1pr, Shielded	0.204"	1-Gang	Flush	+48" AFF	0
LOBBY													
SPK04-06	Extron SF 26CT	AVR01-01	Speaker	1	S	Belden	1860A	12awg, Stranded, 1pr	0.27"	1-Gang	Flush	Ceiling	0
SPK04-07	Extron SF 26CT	SPK04-08	Speaker	1	S	Belden	1860A	12awg, Stranded, 1pr	0.27"	1-Gang	Flush	Ceiling	0
SPK04-03	Extron SF 26CT	SPK04-04	Speaker	1	S	Belden	1860A	12awg, Stranded, 1pr	0.27"	1-Gang	Flush	Ceiling	0
SPK04-04	Extron SF 26CT	SPK04-05	Speaker	1	S	Belden	1860A	12awg, Stranded, 1pr	0.27"	1-Gang	Flush	Ceiling	0
SPK04-05	Extron SF 26CT	SPK04-06	Speaker	1	S	Belden	1860A	12awg, Stranded, 1pr	0.27"	1-Gang	Flush	Ceiling	0
ICP06-02	Custom Panel - Display	AVR01-02	Network	2	N	Belden	2412F	CAT6+, Shielded	0.29"	2-Gang	Flush	See AV-611	0
ICP06-01	Custom Panel - Display	AVR01-02	Network	2	N	Belden	2412F	CAT6+, Shielded	0.29"	2-Gang	Flush	See AV-611	0
ICP09-10	ClearCom WP-2	AVR01-01	Intercom	2	C	Belden	8762	20awg, 1pr, Shielded	0.204"	1-Gang	Flush	+48" AFF	0
SPK04-08	Extron SF 26CT	SPK04-09	Speaker	1	S	Belden	1860A	12awg, Stranded, 1pr	0.27"	1-Gang	Flush	Ceiling	0
SPK04-09	Extron SF 26CT	SPK04-10	Speaker	1	S	Belden	1860A	12awg, Stranded, 1pr	0.27"	1-Gang	Flush	Ceiling	0
SPK04-10	Extron SF 26CT	SPK04-11	Speaker	1	S	Belden	1860A	12awg, Stranded, 1pr	0.27"	1-Gang	Flush	Ceiling	0
SPK04-11	Extron SF 26CT	AVR01-01	Speaker	1	S	Belden	1860A	12awg, Stranded, 1pr	0.27"	1-Gang	Flush	Ceiling	0
GREEN ROOM													
ICP09-01	ClearCom WP-2	AVR01-01	Intercom	2	C	Belden	8762	20awg, 1pr, Shielded	0.204"	1-Gang	Flush	48" AFF	0
SPK05-01	Extron SF 26PT	SPK05-02	Speaker	1	S	Belden	1860A	12awg, Stranded, 1pr	0.27"	1-Gang	Flush	Ceiling	0
SPK05-02	Extron SF 26PT	AVR01-01	Speaker	1	S	Belden	1860A	12awg, Stranded, 1pr	0.27"	1-Gang	Flush	Ceiling	0
ICP06-03	Custom Panel - Display	AVR01-01	Network	2	N	Belden	2412F	CAT6+, Shielded	0.29"	2-Gang	Flush	See AV-611	0
ICP03-01	Custom Panel - Volume	AVR01-01	Network	1	N	Belden	2412F	CAT6+, Shielded					

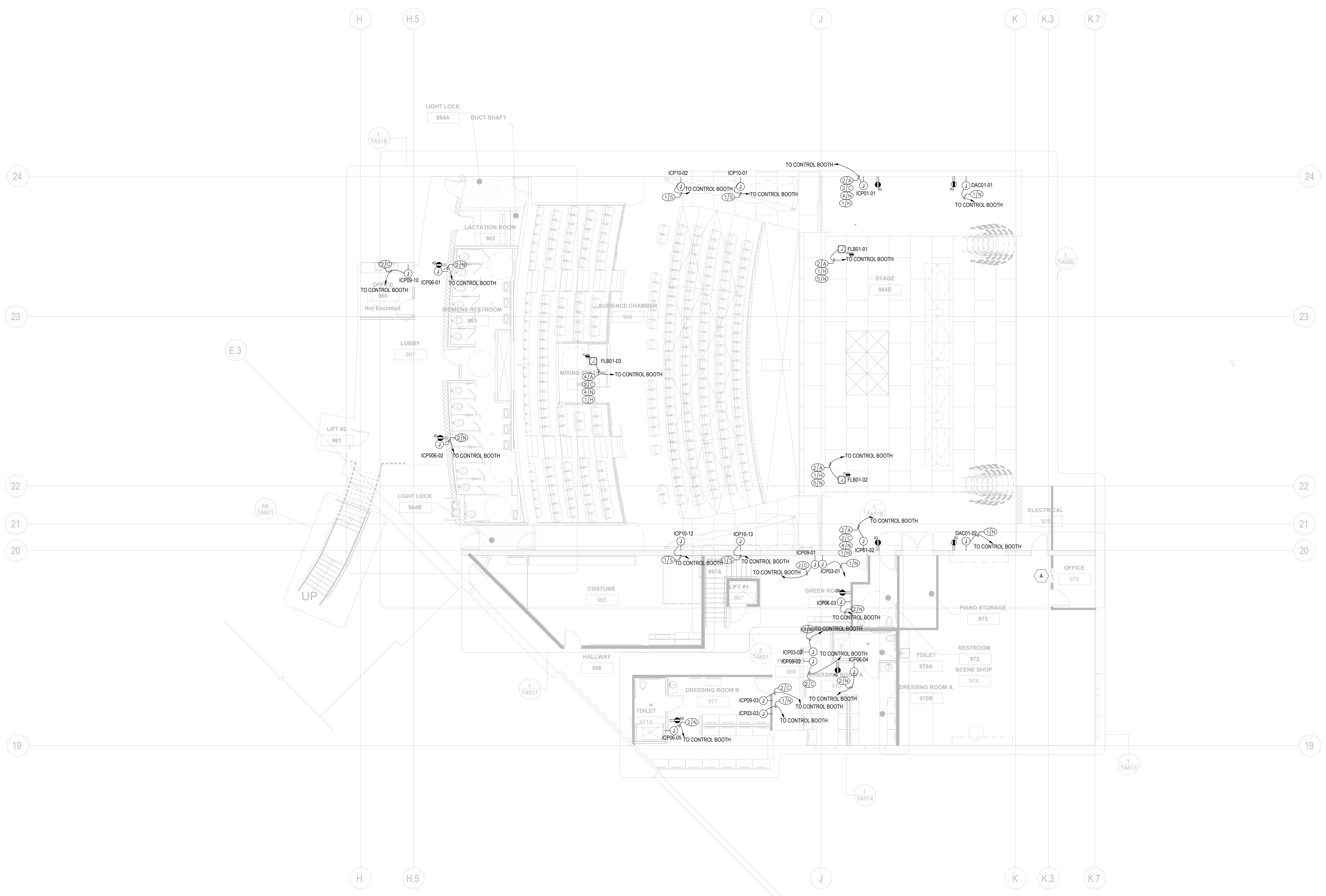
PULL FROM	DEVICE	PULL TO SIGNAL	TYPE	CABLE QTY	CABLE TYPE	CABLE MFG	CABLE MODEL	CABLE DESCRIPTION	CABLE OD	J-BOX TYPE	MOUNTING TYPE	MOUNTING HEIGHT	Associated Power (Watts)
MUSIC REHEARSAL ROOM 906													
SPK06-946-1	Extron SF 26PT	SPK06-946-2	Speaker	1	S	Belden	1860A	12awg, Stranded, 1pr	0.27"	1-Gang	Surface	See AV-613	0
SPK06-946-2	Extron SF 26PT	SPK06-946-3	Speaker	1	S	Belden	1860A	12awg, Stranded, 1pr	0.27"	1-Gang	Surface	See AV-613	0
SPK06-946-3	Extron SF 26PT	FLB06-946-1	Speaker	1	S	Belden	1860A	12awg, Stranded, 1pr	0.27"	1-Gang	Surface	See AV-613	0
SPK06-946-4	Extron SF 26PT	SPK06-946-5	Speaker	1	S	Belden	1860A	12awg, Stranded, 1pr	0.27"	1-Gang	Surface	See AV-613	0
SPK06-946-5	Extron SF 26PT	SPK06-946-6	Speaker	1	S	Belden	1860A	12awg, Stranded, 1pr	0.27"	1-Gang	Surface	See AV-613	0
SPK06-946-6	Extron SF 26PT	FLB02-946-1	Speaker	1	S	Belden	1860A	12awg, Stranded, 1pr	0.27"	1-Gang	Surface	See AV-613	0
FLB02-946-1	FSR FL-600-P	AVR02-01	Network	2	N	Belden	2412F	CAT6+, Shielded	0.29"	Pull Box	Flush	Floor	0
SPK07-946-1	EXTRON SF 10C SUB (NETPA AMP)	FLB02-946-1	Network	1	N	Belden	2412F	CAT6+, Shielded	0.29"	Pull Box	Flush	Floor	0
SPK07-946-2	EXTRON SF 10C SUB (NETPA AMP)	FLB02-946-1	Network	1	N	Belden	2412F	CAT6+, Shielded	0.29"	Pull Box	Flush	Floor	0
ICP17-946-1	Custom Panel - Single Net Device	FLB02-946-1	Network	2	N	Belden	2412F	CAT6+, Shielded	0.29"	2-Gang	Flush	Ceiling	0
TIERED LECTURE RM 945													
SPK04-945-1	Extron SF 26CT	SPK04-945-2	Speaker	1	S	Belden	1860A	12awg, Stranded, 1pr	0.27"	Speaker Backcan	Flush	Ceiling	0
CMA01-945-1	Shure MXA910	FLB02-945-2	Network	1	N	Belden	2412F	CAT6+, Shielded	0.29"	1-Gang	Flush	Ceiling	0
FLB02-945-1	FSR FL-600-P	AVR02-01	Network	2	N	Belden	2412F	CAT6+, Shielded	0.29"	Pull Box	Flush	Floor	0
SPK04-945-2	Extron SF 26CT	SPK04-945-3	Speaker	1	S	Belden	1860A	12awg, Stranded, 1pr	0.27"	Speaker Backcan	Flush	Ceiling	0
SPK04-945-3	Extron SF 26CT	SPK04-945-4	Speaker	1	S	Belden	1860A	12awg, Stranded, 1pr	0.27"	Speaker Backcan	Flush	Ceiling	0
SPK04-945-4	Extron SF 26CT	SPK04-945-5	Speaker	1	S	Belden	1860A	12awg, Stranded, 1pr	0.27"	Speaker Backcan	Flush	Ceiling	0
SPK04-945-5	Extron SF 26CT	SPK04-945-6	Speaker	1	S	Belden	1860A	12awg, Stranded, 1pr	0.27"	Speaker Backcan	Flush	Ceiling	0
SPK04-945-6	Extron SF 26CT	SPK04-945-7	Speaker	1	S	Belden	1860A	12awg, Stranded, 1pr	0.27"	Speaker Backcan	Flush	Ceiling	0
SPK04-945-7	Extron SF 26CT	FLB02-945-1	Speaker	1	S	Belden	1860A	12awg, Stranded, 1pr	0.27"	Speaker Backcan	Flush	Ceiling	0
SPK04-945-8	Extron SF 26CT	SPK04-945-9	Speaker	1	S	Belden	1860A	12awg, Stranded, 1pr	0.27"	Speaker Backcan	Flush	Ceiling	0
SPK04-945-9	Extron SF 26CT	SPK04-945-10	Speaker	1	S	Belden	1860A	12awg, Stranded, 1pr	0.27"	Speaker Backcan	Flush	Ceiling	0
SPK04-945-10	Extron SF 26CT	SPK04-945-11	Speaker	1	S	Belden	1860A	12awg, Stranded, 1pr	0.27"	Speaker Backcan	Flush	Ceiling	0
SPK04-945-11	Extron SF 26CT	SPK04-945-12	Speaker	1	S	Belden	1860A	12awg, Stranded, 1pr	0.27"	Speaker Backcan	Flush	Ceiling	0
SPK04-945-12	Extron SF 26CT	SPK04-945-13	Speaker	1	S	Belden	1860A	12awg, Stranded, 1pr	0.27"	Speaker Backcan	Flush	Ceiling	0
SPK04-945-13	Extron SF 26CT	SPK04-945-14	Speaker	1	S	Belden	1860A	12awg, Stranded, 1pr	0.27"	Speaker Backcan	Flush	Ceiling	0
SPK04-945-14	Extron SF 26CT	SPK04-945-15	Speaker	1	S	Belden	1860A	12awg, Stranded, 1pr	0.27"	Speaker Backcan	Flush	Ceiling	0
SPK04-945-15	Extron SF 26CT	FLB02-945-1	Speaker	1	S	Belden	1860A	12awg, Stranded, 1pr	0.27"	Speaker Backcan	Flush	Ceiling	0
CMA01-945-2	Shure MXA910	FLB02-945-2	Network	1	N	Belden	2412F	CAT6+, Shielded	0.29"	1-Gang	Flush	Ceiling	0
CMA01-945-3	Shure MXA910	FLB02-945-2	Network	1	N	Belden	2412F	CAT6+, Shielded	0.29"	1-Gang	Flush	Ceiling	0
ICP17-945-1	Custom Panel - Single Net Device	FLB02-945-1	Network	2	N	Belden	2412F	CAT6+, Shielded	0.29"	2-Gang	Flush	Ceiling	0
ICP06-945-1	Custom Panel - Display	FLB02-945-1	Network	2	N	Belden	2412F	CAT6+, Shielded	0.29"	2-Gang	Flush	See AV-613	0
ICP06-945-2	Custom Panel - Display	FLB02-945-1	Network	2	N	Belden	2412F	CAT6+, Shielded	0.29"	2-Gang	Flush	See AV-613	0
ICP18-945-1	Custom Panel - Camera Panel	FLB02-945-2	Video	1	H	Belden	4794R	HD-SDI 12G	0.320"	1-Gang	Flush	See AV-612	0
ICP18-945-2	Custom Panel - Camera Panel	FLB02-945-2	Video	1	H	Belden	4794R	HD-SDI 12G	0.320"	1-Gang	Flush	See AV-612	0
ICP10-945-1	Custom Panel - Speaker	FLB02-945-1	Relay Control	1	D	Belden	9451	22awg, 1pr, Shielded	0.135"	1-Gang	Flush	Ceiling	0
LECTURE HALL RM 924													
SPK04-924-1	Extron SF 26CT	SPK04-924-2	Speaker	1	S	Belden	1860A	12awg, Stranded, 1pr	0.27"	Speaker Backcan	Flush	Ceiling	0
CMA01-924-1	Shure MXA910	FLB02-924-2	Network	1	N	Belden	2412F	CAT6+, Shielded	0.29"	1-Gang	Flush	Ceiling	0
FLB02-924-1	FSR FL-600-P	AVR02-01	Network	2	N	Belden	2412F	CAT6+, Shielded	0.29"	Pull Box	Flush	Floor	0
SPK04-924-2	Extron SF 26CT	SPK04-924-3	Speaker	1	S	Belden	1860A	12awg, Stranded, 1pr	0.27"	Speaker Backcan	Flush	Ceiling	0
SPK04-924-3	Extron SF 26CT	SPK04-924-4	Speaker	1	S	Belden	1860A	12awg, Stranded, 1pr	0.27"	Speaker Backcan	Flush	Ceiling	0
SPK04-924-4	Extron SF 26CT	SPK04-924-5	Speaker	1	S	Belden	1860A	12awg, Stranded, 1pr	0.27"	Speaker Backcan	Flush	Ceiling	0
SPK04-924-5	Extron SF 26CT	SPK04-924-6	Speaker	1	S	Belden	1860A	12awg, Stranded, 1pr	0.27"	Speaker Backcan	Flush	Ceiling	0
SPK04-924-6	Extron SF 26CT	FLB02-924-1	Speaker	1	S	Belden	1860A	12awg, Stranded, 1pr	0.27"	Speaker Backcan	Flush	Ceiling	0
ICP17-924-1	Custom Panel - Single Net Device	FLB02-924-2	Network	2	N	Belden	2412F	CAT6+, Shielded	0.29"	2-Gang	Flush	Ceiling	0
CMA01-924-2	Shure MXA910	FLB02-924-2	Network	1	N	Belden	2412F	CAT6+, Shielded	0.29"	1-Gang	Flush	Ceiling	0
SPK04-924-7	Extron SF 26CT	SPK04-924-8	Speaker	1	S	Belden	1860A	12awg, Stranded, 1pr	0.27"	Speaker Backcan	Flush	Ceiling	0
SPK04-924-8	Extron SF 26CT	SPK04-924-9	Speaker	1	S	Belden	1860A	12awg, Stranded, 1pr	0.27"	Speaker Backcan	Flush	Ceiling	0
SPK04-924-9	Extron SF 26CT	SPK04-924-10	Speaker	1	S	Belden	1860A	12awg, Stranded, 1pr	0.27"	Speaker Backcan	Flush	Ceiling	0
SPK04-924-10	Extron SF 26CT	SPK04-924-11	Speaker	1	S	Belden	1860A	12awg, Stranded, 1pr	0.27"	Speaker Backcan	Flush	Ceiling	0
SPK04-924-11	Extron SF 26CT	SPK04-924-12	Speaker	1	S	Belden	1860A	12awg, Stranded, 1pr	0.27"	Speaker Backcan	Flush	Ceiling	0
SPK04-924-12	Extron SF 26CT	FLB02-924-1	Speaker	1	S	Belden	1860A	12awg, Stranded, 1pr	0.27"	Speaker Backcan	Flush	Ceiling	0
ICP18-924-1	Custom Panel - Camera Panel	FLB02-924-2	Video	1	H	Belden	4794R	HD-SDI 12G	0.320"	1-Gang	Flush	See AV-612	0
ICP18-924-2	Custom Panel - Camera Panel	FLB02-924-2	Video	1	H	Belden	4794R	HD-SDI 12G	0.320"	1-Gang	Flush	See AV-612	0
ICP06-924-1	Custom Panel - Display	FLB02-924-1	Network	2	N	Belden	2412F	CAT6+, Shielded	0.29"	2-Gang	Flush	See AV-613	0
ICP06-924-2	Custom Panel - Display	FLB02-924-1	Network	2	N	Belden	2412F	CAT6+, Shielded	0.29"	2-Gang	Flush	See AV-613	0
ICP10-924-1	Custom Panel - Speaker	FLB02-924-1	Relay Control	1	D	Belden	9451	22awg, 1pr, Shielded	0.135"	1-Gang	Flush	Ceiling	0
HOSPITALITY TRAINING RM 908													
SPK04-908-1	Extron SF 26CT	SPK04-908-2	Speaker	1	S	Belden	1860A	12awg, Stranded, 1pr	0.27"	Speaker Backcan	Flush	Ceiling	0
ICP06-908-1	Custom Panel - Display	AVR02-01	Network	2	N	Belden	2412F	CAT6+, Shielded	0.29"	2-Gang	Flush	See AV-613	0
SPK04-908-2	Extron SF 26CT	SPK04-908-3	Speaker	1	S	Belden	1860A	12awg, Stranded, 1pr	0.27"	Speaker Backcan	Flush	Ceiling	0
SPK04-908-3	Extron SF 26CT	SPK04-908-4	Speaker	1	S	Belden	1860A	12awg, Stranded, 1pr	0.27"	Speaker Backcan	Flush	Ceiling	0
SPK04-908-4	Extron SF 26CT	SPK04-908-5	Speaker	1	S	Belden	1860A	12awg, Stranded, 1pr	0.27"	Speaker Backcan	Flush	Ceiling	0
SPK04-908-5	Extron SF 26CT	AVR02-01	Speaker	1	S	Belden	1860A	12awg, Stranded, 1pr	0.27"	Speaker Backcan	Flush	Ceiling	0
SPK04-908-6	Extron SF 26CT	SPK04-908-7	Speaker	1	S	Belden	1860A	12awg, Stranded, 1pr	0.27"	Speaker Backcan	Flush	Ceiling	0
SPK04-908-7	Extron SF 26CT	SPK04-908-8	Speaker	1	S	Belden	1860A	12awg, Stranded, 1pr	0.27"	Speaker Backcan	Flush	Ceiling	0
SPK04-908-8	Extron SF 26CT	SPK04-908-9	Speaker	1	S	Belden	1860A	12awg, Stranded, 1pr	0.27"	Speaker Backcan	Flush	Ceiling	0
SPK04-908-9	Extron SF 26CT	SPK04-908-10	Speaker	1	S	Belden	1860A	12awg, Stranded, 1pr	0.27"	Speaker Backcan	Flush	Ceiling	0
SPK04-908-10	Extron SF 26CT	AVR02-01	Speaker	1	S	Belden	1860A	12awg, Stranded, 1pr	0.27"	Speaker Backcan	Flush	Ceiling	0
SPK04-908-11	Extron SF 26CT	SPK04-908-12	Speaker	1	S	Belden	1860A	12awg, Stranded, 1pr	0.27"	Speaker Backcan	Flush	Ceiling	0
SPK04-908-12	Extron SF 26CT	SPK04-908-13	Speaker	1	S	Belden	1860A	12awg, Stranded, 1pr	0.27"	Speaker Backcan	Flush	Ceiling	0
SPK04-908-13	Extron SF 26CT	SPK04-908-14	Speaker	1	S	Belden	1860A	12awg, Stranded, 1pr	0.27"	Speaker Backcan	Flush	Ceiling	0
SPK04-908-14	Extron SF 26CT	SPK04-908-15	Speaker	1	S	Belden	1860A	12awg, Stranded, 1pr	0.27"	Speaker Backcan	Flush	Ceiling	0
SPK04-908-15	Extron SF 26CT	AVR02-01	Speaker	1	S	Belden	1860A	12awg, Stranded, 1pr	0.27"	Speaker Backcan	Flush	Ceiling	0
ICP03-908-1	Custom Panel - Volume	AVR02-01	Network	1	N	Belden	2412F	CAT6+, Shielded	0.29"	1-Gang	Flush	See AV-613	0
ICP23-908-1	QSC - unD6IO-BT	AVR02-01	Network	1	N	Belden	2412F	CAT6+, Shielded	0.29"	2-Gang	Flush	See AV-613	0
DINING AREA RM 901													
SPK05-901-1	Extron SF 26PT	SPK05-901-2	Speaker	1	S	Belden	1860A	12awg, Stranded, 1pr	0.27"	1-Gang	Surface	Ceiling	0
ICP17-901-1	Custom Panel - Single Net Device	AVR02-01	Network	2	N	Belden	2412F	CAT6+, Shielded	0.29"	2-Gang	Flush	See AV-613	0
ICP17-901-2	Custom Panel - Single Net Device	AVR02-01	Network	2	N	Belden	2412F	CAT6+, Shielded	0.29"	2-Gang	Flush	See AV-613	0
ICP17-901-3	Custom Panel - Single Net Device	AVR02-01	Network	2	N	Belden	2412F	CAT6+, Shielded	0.29"	2-Gang	Flush	See AV-613	0
ICP17-901-4	Custom Panel - Single Net Device	AVR02-01	Network	2	N	Belden	2412F	CAT6+, Shielded	0.29"	2-Gang	Flush	See AV-613	0
SPK05-901-5	Extron SF 26PT	AVR02-01	Speaker	1	S	Belden	1860A	12awg, Stranded, 1pr	0.27"	1-Gang	Surface	Ceiling	0
SPK05-901-6	Extron SF 26PT	SPK05-901-7	Speaker	1	S	Belden	1860A	12awg, Stranded, 1pr	0.27"	1-Gang	Surface	Ceiling	0
SPK05-901-7	Extron SF 26PT	SPK05-901-8	Speaker	1	S	Belden	1860A	12awg, Stranded, 1pr	0.27"	1-Gang	Surface	Ceiling	0

- DEVICE # (J) JUNCTION BOX WALL
 DEVICE # (C) JUNCTION BOX CEILING
 QUAD POWER OUTLET WALL ISOLATED GROUND
 DUPLEX POWER OUTLET CEILING ISOLATED GROUND
 SPECIAL POWER (SEE AV-701 FOR POWER REQUIREMENTS)
- HOMERUN TO CABLE QUANTITY
 CABLE TYPE (SEE SCHEDULE ABOVE)

- SHEET NOTES:
 1. ALL CABLES TERMINATE TO AV EQUIPMENT RACKS IN CONTROL ROOM UNLESS OTHERWISE INDICATED.
 2. SEE JUNCTION BOX SCHEDULES - AV1.00 FOR J-BOX TYPE, MOUNTING HEIGHT AND ASSOCIATED POWER REQUIREMENTS.

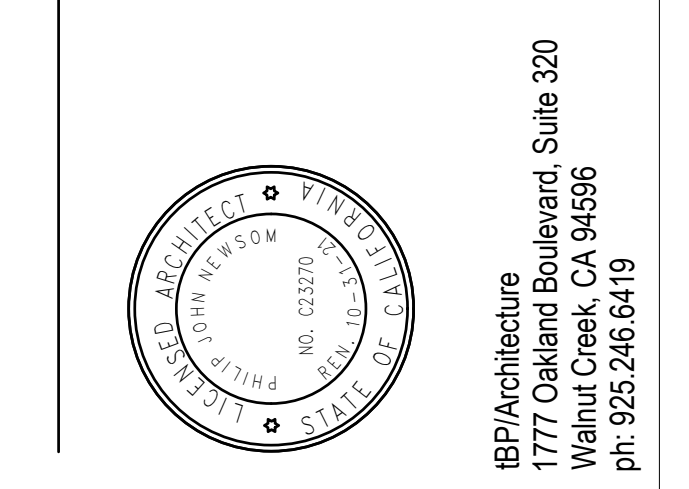
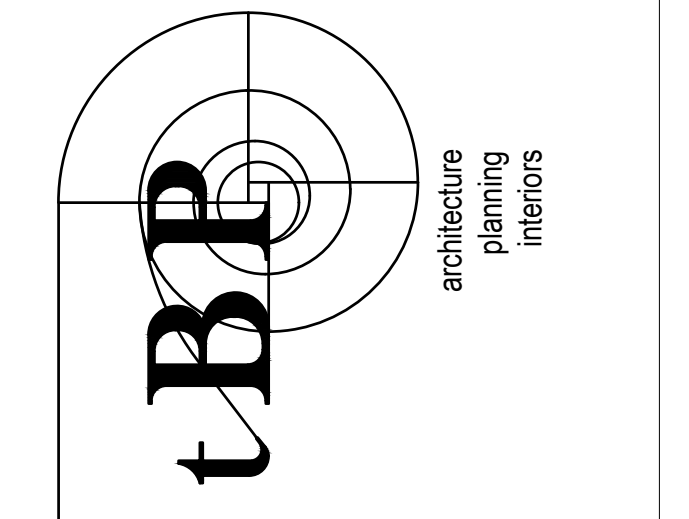
CABLE SCHEDULE

DESIGNATOR	CABLE TYPE	SIGNAL TYPE
A	BELDEN 9451	AUDIO
C	BELDEN 8762	INTERCOM
D	BELDEN 9451	RELAY CONTROL
H	BELDEN 4794R	HD-SDI T2G
N	BELDEN 2412F	NETWORK/DXLINK
R	BELDEN 7808A	RF
S	BELDEN 1860A	SPEAKER 12AWG
T	BELDEN 6100UP	SPEAKER 10 AWG
V	BELDEN 1505A	VIDEO
X	BELDEN 1502R	POWER & DATA



1 1ST FLOOR CONDUIT PLAN
 SCALE: 1/8"=1'-0"

DSA Application #02-118286
 DSA File #58-C1



AV SYSTEM CONSULTANT:
A+G Andrew Design Group, Inc.
 Andrew Design Group, Inc.
 626-744-9358
 adg@AndrewDesign.com
 www.AndrewDesign.com

consultant

WOODLAND COMMUNITY COLLEGE
 PERFORMING ARTS/
 CULINARY SERVICES
 FACILITY
 2300 E. GIBSON RD., WOODLAND, CA 95776
 YUBA COMMUNITY COLLEGE DISTRICT

tBP project number: 22039.00

file name:	
drawn by:	checked by:
date:	Issue Date MAY 17, 2021
rev.	date: description:
	05/17/2021 BID SET
	12/23/2021 ADDENDUM #4
	DELTA A17 12/12/2022 ASI 17
	FFE 05/30/2023 FF&E UPDATE

THIS DRAWING AND THE DESIGN, SPECIFICATIONS, IDEAS AND OTHER INFORMATION CONTAINED HEREIN CONSTITUTE UNPUBLISHED WORK OF ARCHITECTURE AND SHALL REMAIN PROPERTY OF ARCHITECTURE IN PERPETUITY. NO PART HEREOF SHALL BE REPRODUCED, DISCLOSED, DISTRIBUTED, SOLD, PUBLISHED OR OTHERWISE USED IN ANY MANNER WITHOUT THE EXPRESS WRITTEN CONSENT OF ARCHITECTURE.

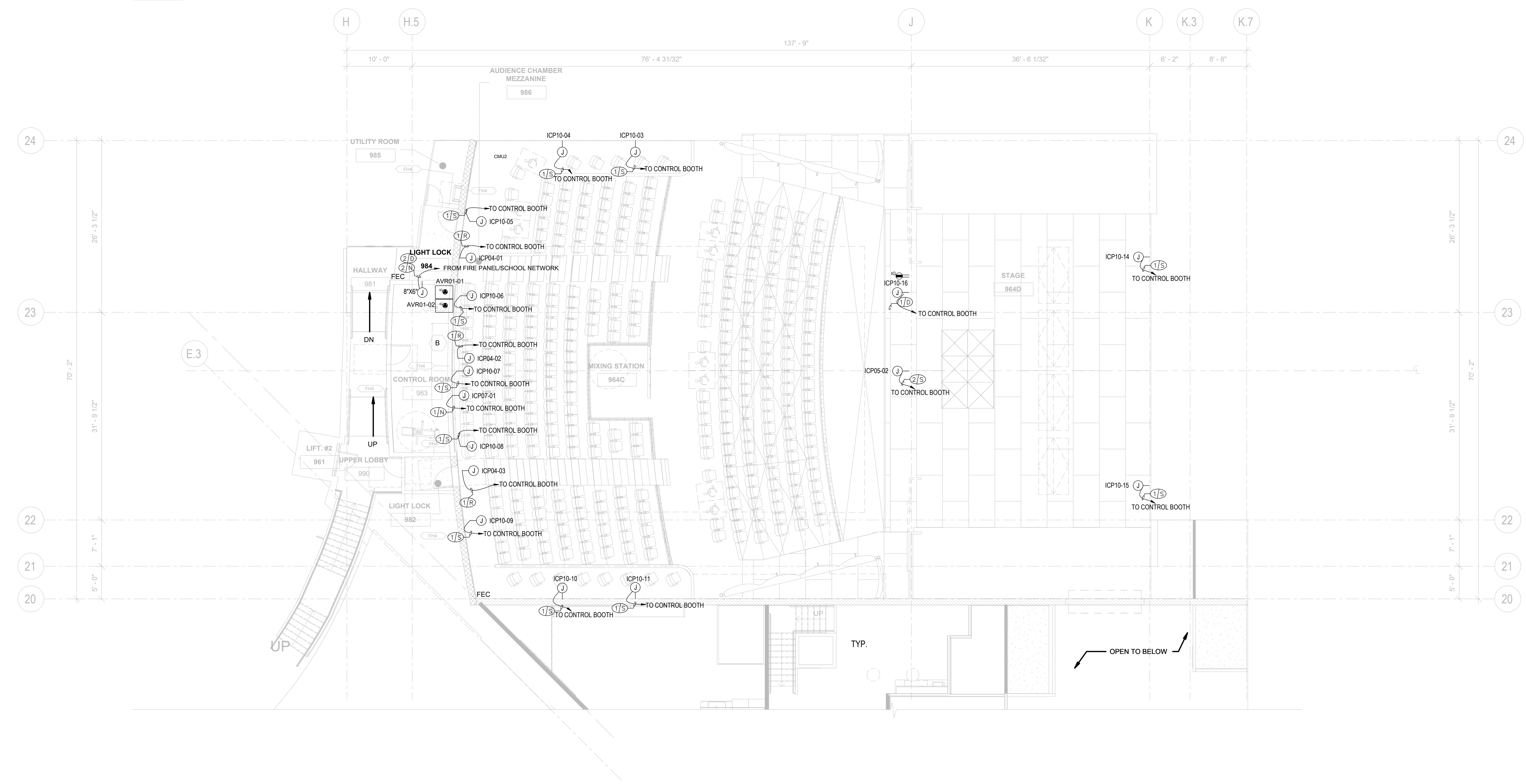
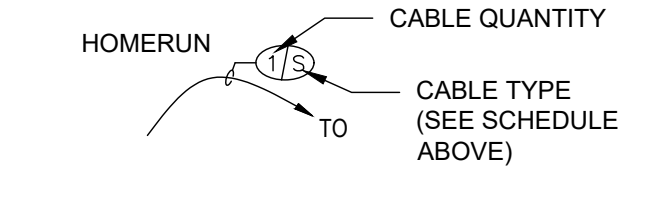
drawing title:
 AV JUNCTION BOX PLAN
 1ST FLOOR
 drawing no.:
AV-101
 drawing of

- DEVICE # (J) JUNCTION BOX WALL
- DEVICE # (C) JUNCTION BOX CEILING
- (D) DUPLEX POWER OUTLET WALL ISOLATED GROUND
- (G) DUPLEX POWER OUTLET CEILING ISOLATED GROUND
- (S) SPECIAL POWER (SEE AV-701 FOR POWER REQUIREMENTS)

- SHEET NOTES:
- ALL CABLES TERMINATE TO AV EQUIPMENT RACKS IN CONTROL ROOM UNLESS OTHERWISE INDICATED.
 - SEE JUNCTION BOX SCHEDULES - AV1.00 FOR J-BOX TYPE, MOUNTING HEIGHT AND ASSOCIATED POWER REQUIREMENTS.

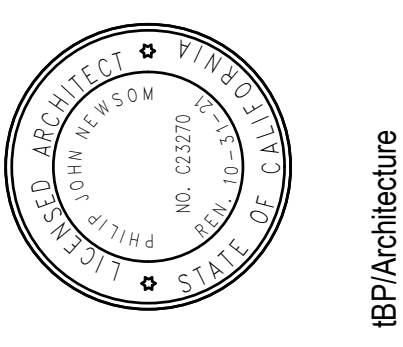
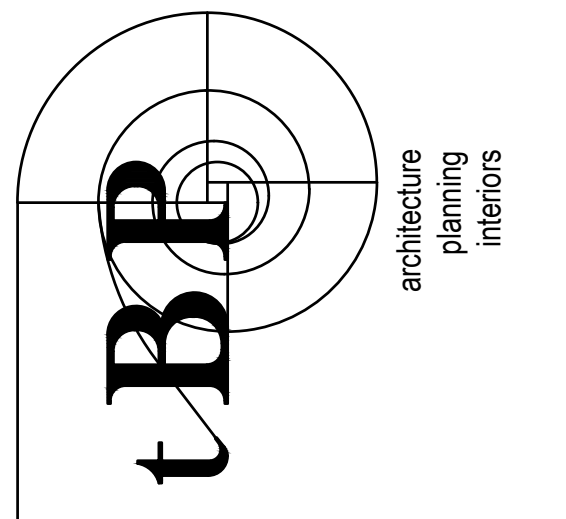
CABLE SCHEDULE

DESIGNATOR	CABLE TYPE	SIGNAL TYPE
A	BELDEN 9451	AUDIO
C	BELDEN 8762	INTERCOM
D	BELDEN 9451	RELAY CONTROL
H	BELDEN 4794R	HD-SDI T2G
N	BELDEN 2412F	NETWORK/DXLINK
R	BELDEN 7808A	RF
S	BELDEN 1860A	SPEAKER 12AWG
T	BELDEN 6100UP	SPEAKER 10 AWG
V	BELDEN 1505A	VIDEO
X	BELDEN 1502R	POWER & DATA



1 2nd FLOOR CONDUIT PLAN
SCALE: 3/16"=1'-0"

DSA Application #02-118286
DSA File #58-C1



tBP/Architecture
1777 Oakland Boulevard, Suite 320
Walnut Creek, CA 94596
ph. 925.246.6419

AV SYSTEM CONSULTANT:
A+G Andrew Design Group, Inc.
A/V Consulting and Engineering
Andrew Design Group, Inc.
626-744-9358
adg@AndrewDesign.com
www.AndrewDesign.com

consultant

WOODLAND COMMUNITY COLLEGE
PERFORMING ARTS/
CULINARY SERVICES
FACILITY
2300 E. GIBSON RD., WOODLAND, CA 95776
YUBA COMMUNITY COLLEGE DISTRICT

owner

tBP project number: 22039.00

file name:

drawn by: checked by:

date: Issue Date MAY 17, 2021

rev. date: description:

05/17/2021	BID SET
12/23/2021	ADDENDUM #4
DELTA A17 12/12/2022	ASI 17
FFE 05/30/2023	FF&E UPDATE

THIS DRAWING AND THE DESIGN, SPECIFICATIONS, IDEAS AND OTHER INFORMATION CONTAINED HEREIN CONSTITUTE UNPUBLISHED WORK OF ARCHITECTURE AND SHALL REMAIN PROPERTY OF ARCHITECTURE IN PERPETUITY. NO PART HEREOF SHALL BE REPRODUCED, DISCLOSED, DISTRIBUTED, COPIED, PUBLISHED OR OTHERWISE USED IN ANY MANNER WITHOUT THE EXPRESS WRITTEN CONSENT OF ARCHITECTURE.

drawing title:
AV JUNCTION BOX PLAN
2ND FLOOR

drawing no.:
AV-102

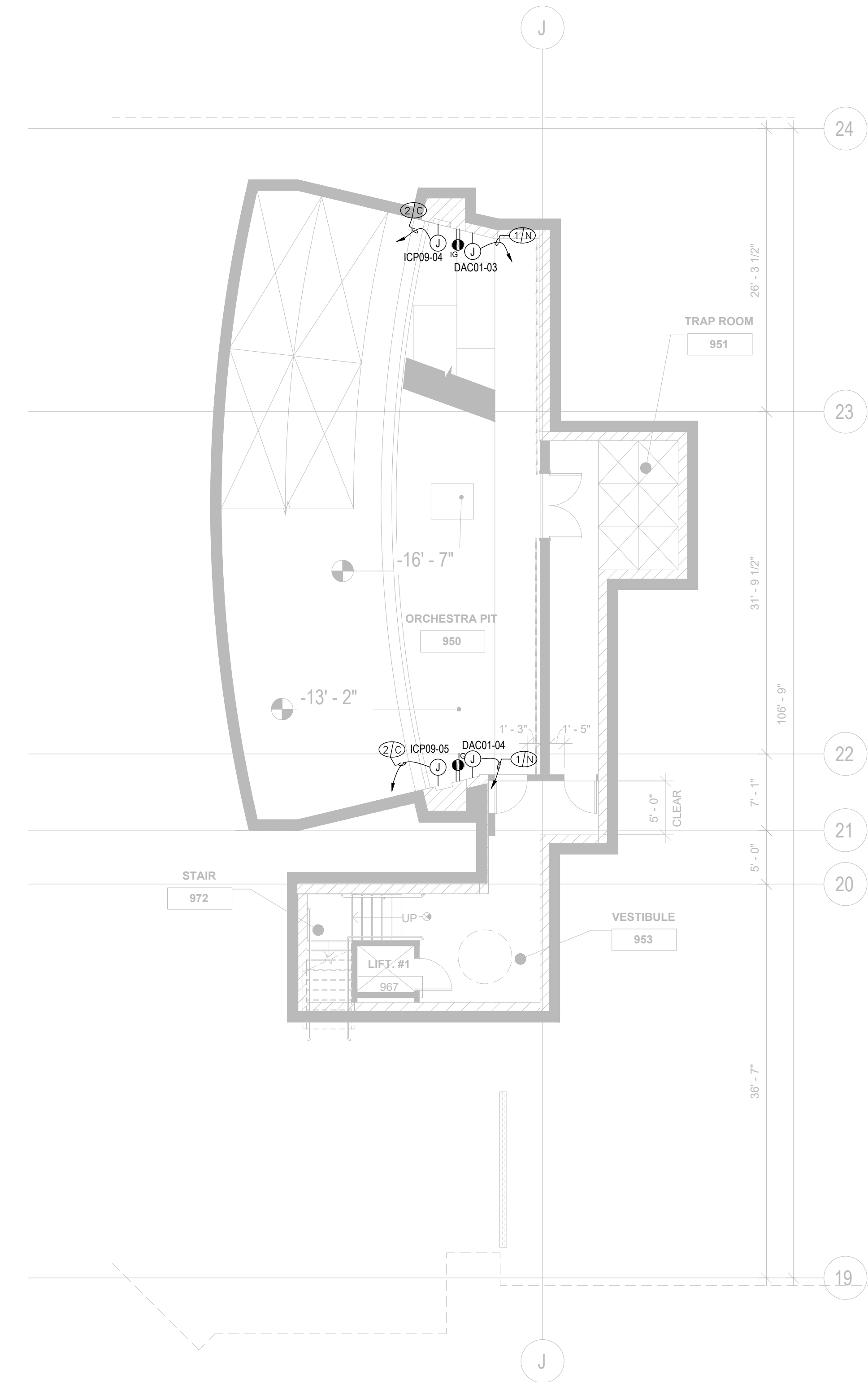
drawing of

- DEVICE # ① JUNCTION BOX WALL
 DEVICE # ② JUNCTION BOX CEILING
 QUAD POWER OUTLET WALL ISOLATED GROUND
 DUPLEX POWER OUTLET CEILING ISOLATED GROUND
 SPECIAL POWER (SEE AV-701 FOR POWER REQUIREMENTS)
- HOMERUN TO CABLE QUANTITY
 CABLE TYPE (SEE SCHEDULE ABOVE)

- SHEET NOTES:
 1. ALL CABLES TERMINATE TO AV EQUIPMENT RACKS IN CONTROL ROOM UNLESS OTHERWISE INDICATED.
 2. SEE JUNCTION BOX SCHEDULES - AV1.00 FOR J-BOX TYPE, MOUNTING HEIGHT AND ASSOCIATED POWER REQUIREMENTS.

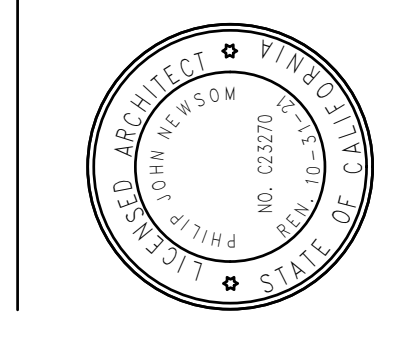
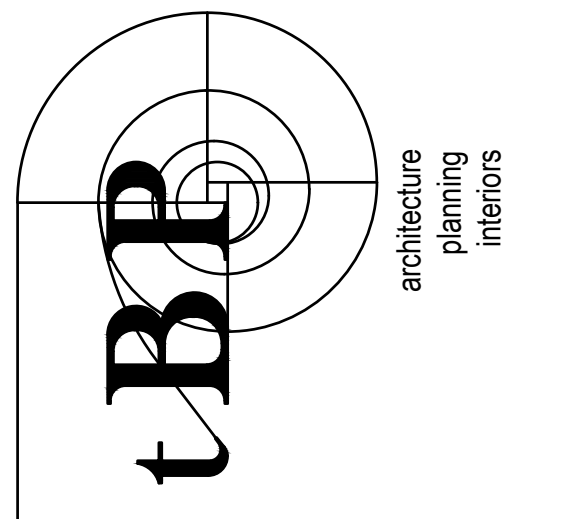
CABLE SCHEDULE

DESIGNATOR	CABLE TYPE	SIGNAL TYPE
A	BELDEN 9451	AUDIO
C	BELDEN 8762	INTERCOM
D	BELDEN 9451	RELAY CONTROL
H	BELDEN 4794A	HD-SDI T2G
N	BELDEN 2412F	NETWORK/DXLINK
R	BELDEN 7808A	RF
S	BELDEN 1860A	SPEAKER 12AWG
T	BELDEN 6100UP	SPEAKER 10 AWG
V	BELDEN 1505A	VIDEO
X	BELDEN 1502R	POWER & DATA



1 BASEMENT CONDUIT PLAN
 SCALE: 1/8"=1'-0"

DSA Application #02-118286
 DSA File #58-C1



architecture
 planning
 interiors

1BP/Architecture
 1777 Oakland Boulevard, Suite 320
 Walnut Creek, CA 94596
 ph. 925.246.6419



AV SYSTEM CONSULTANT:
 Andrew Design Group, Inc.
 626-744-9358
 asg@AndrewDesign.com
 www.AndrewDesign.com

WOODLAND COMMUNITY COLLEGE
 PERFORMING ARTS/
 CULINARY SERVICES
 FACILITY
 2300 E. GIBSON RD, WOODLAND, CA 95776
 YUBA COMMUNITY COLLEGE DISTRICT

tBP project number: 22039.00

file name:

drawn by: checked by:

date: Issue Date MAY 17, 2021

rev. date: description:

05/17/2021	BID SET
12/23/2021	ADDENDUM #4
DELTA A17 12/12/2022	ASI 17
FFE 05/30/2023	FF&E UPDATE

THIS DRAWING AND THE DESIGN, SPECIFICATIONS, IDEAS AND OTHER INFORMATION CONTAINED HEREIN CONSTITUTE UNPUBLISHED WORK OF ARCHITECTURE AND SHALL REMAIN PROPERTY OF ARCHITECTURE IN PERPETUITY. NO PART THEREOF SHALL BE REPRODUCED, DISCLOSED, DISTRIBUTED, SOLD, PUBLISHED OR OTHERWISE USED IN ANY MANNER WITHOUT THE ADVANCED EXPRESS WRITTEN CONSENT OF ARCHITECTURE.

drawing title:
 AV JUNCTION BOX PLAN
 BASEMENT

drawing no.:
 AV-103

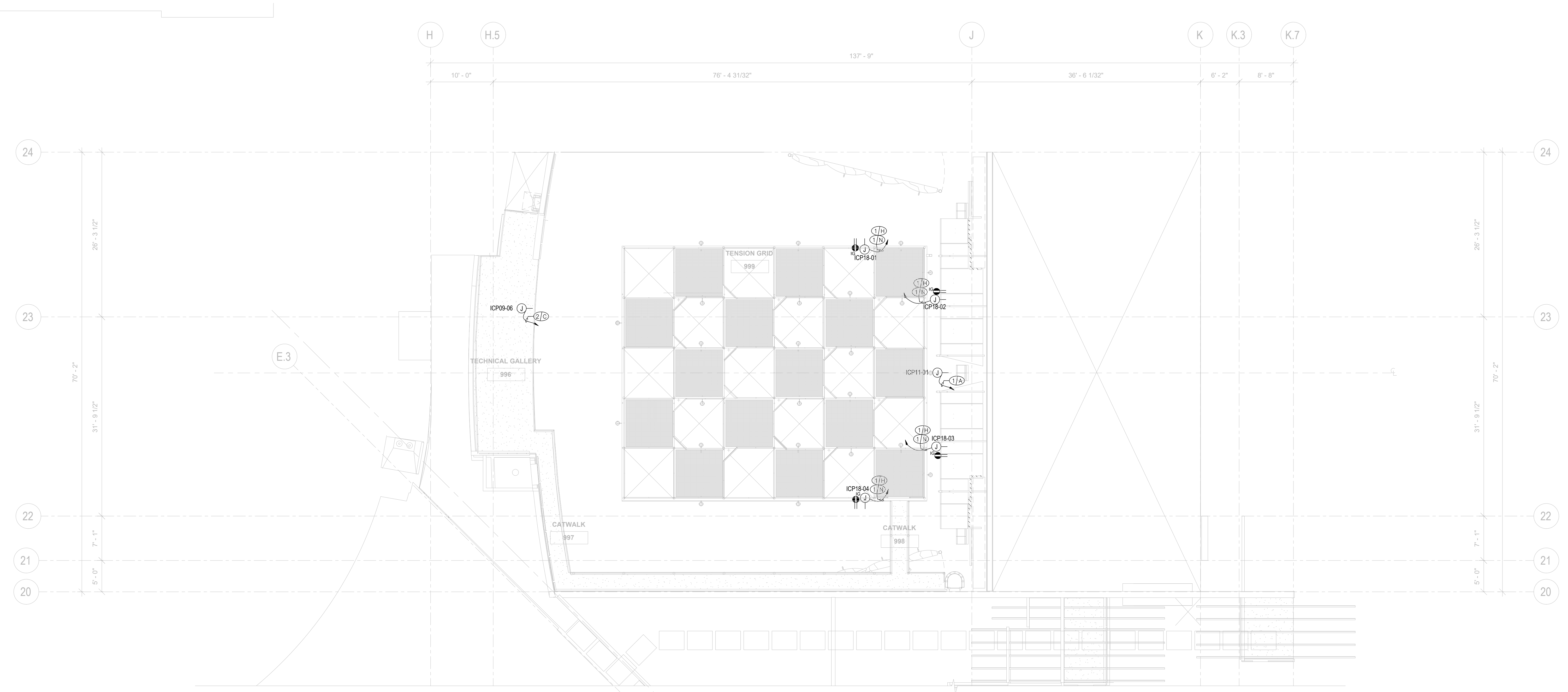
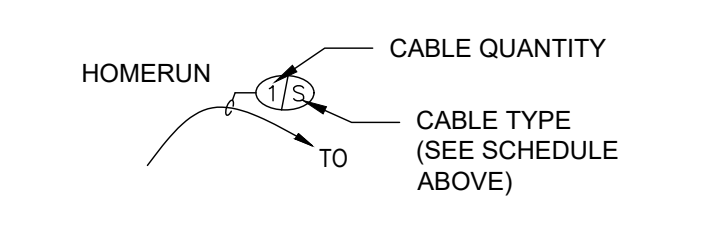
drawing of

- DEVICE # ① JUNCTION BOX WALL
 DEVICE # ② JUNCTION BOX CEILING
 QUAD POWER OUTLET WALL ISOLATED GROUND
 DUPLEX POWER OUTLET CEILING ISOLATED GROUND
 SPECIAL POWER (SEE AV-701 FOR POWER REQUIREMENTS)

SHEET NOTES:
 1. ALL CABLES TERMINATE TO AV EQUIPMENT RACKS IN CONTROL ROOM UNLESS OTHERWISE INDICATED.
 2. SEE JUNCTION BOX SCHEDULES - AV1.00 FOR J-BOX TYPE, MOUNTING HEIGHT AND ASSOCIATED POWER REQUIREMENTS.

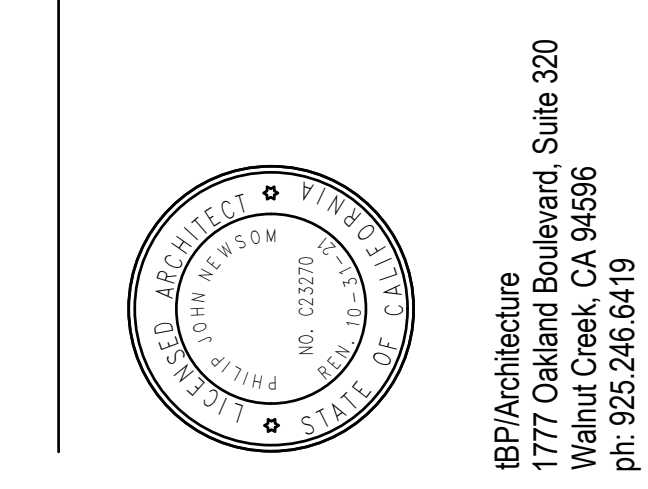
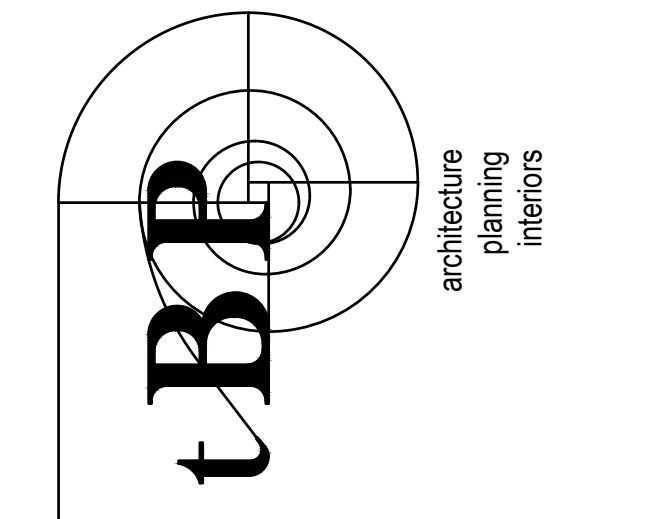
CABLE SCHEDULE

DESIGNATOR	CABLE TYPE	SIGNAL TYPE
A	BELDEN 9451	AUDIO
C	BELDEN 8762	INTERCOM
D	BELDEN 9451	RELAY CONTROL
H	BELDEN 4794R	HD-SDI T2G
N	BELDEN 2412F	NETWORK/DXLINK
R	BELDEN 7808A	RF
S	BELDEN 1860A	SPEAKER 12AWG
T	BELDEN 6100UP	SPEAKER 10 AWG
V	BELDEN 1505A	VIDEO
X	BELDEN 1502R	POWER & DATA



1 CATWALK LEVEL CONDUIT PLAN
 SCALE: 1/8"=1'-0"

DSA Application #02-118286
 DSA File #58-C1



IBP/Architecture
 1777 Oakland Boulevard, Suite 320
 Walnut Creek, CA 94596
 ph. 925.246.6419

AV SYSTEM CONSULTANT:
A+G Andrew Design Group, Inc.
 A/V Consulting and Engineering
 Andrew Design Group, Inc.
 626-744-9358
 adg@AndrewDesign.com
 www.AndrewDesign.com

WOODLAND COMMUNITY COLLEGE
 PERFORMING ARTS/
 CULINARY SERVICES
 FACILITY
 2300 E. GIBSON RD., WOODLAND, CA 95776
 YUBA COMMUNITY COLLEGE DISTRICT

tBP project number: 22039.00

file name:

drawn by: checked by:

date: Issue Date MAY 17, 2021

rev. date: description:

05/17/2021	BID SET
12/23/2021	ADDENDUM #4
DELTA A17 12/12/2022	ASI 17
FFE 05/30/2023	FF&E UPDATE

THIS DRAWING AND THE DESIGN, EXPOSITIONS, IDEAS AND OTHER INFORMATION CONTAINED HEREIN CONSTITUTE UNPUBLISHED WORK OF ARCHITECTURE AND SHALL REMAIN PROPERTY OF ARCHITECTURE IN PERPETUITY. NO PART THEREOF SHALL BE REPRODUCED, DISCLOSED, DISTRIBUTED, SOLD, PUBLISHED OR OTHERWISE USED IN ANY WAY WITHOUT THE ADVANCED EXPRESS WRITTEN CONSENT OF ARCHITECTURE.

drawing title:
 AV JUNCTION BOX PLAN
 CATWALK LEVEL

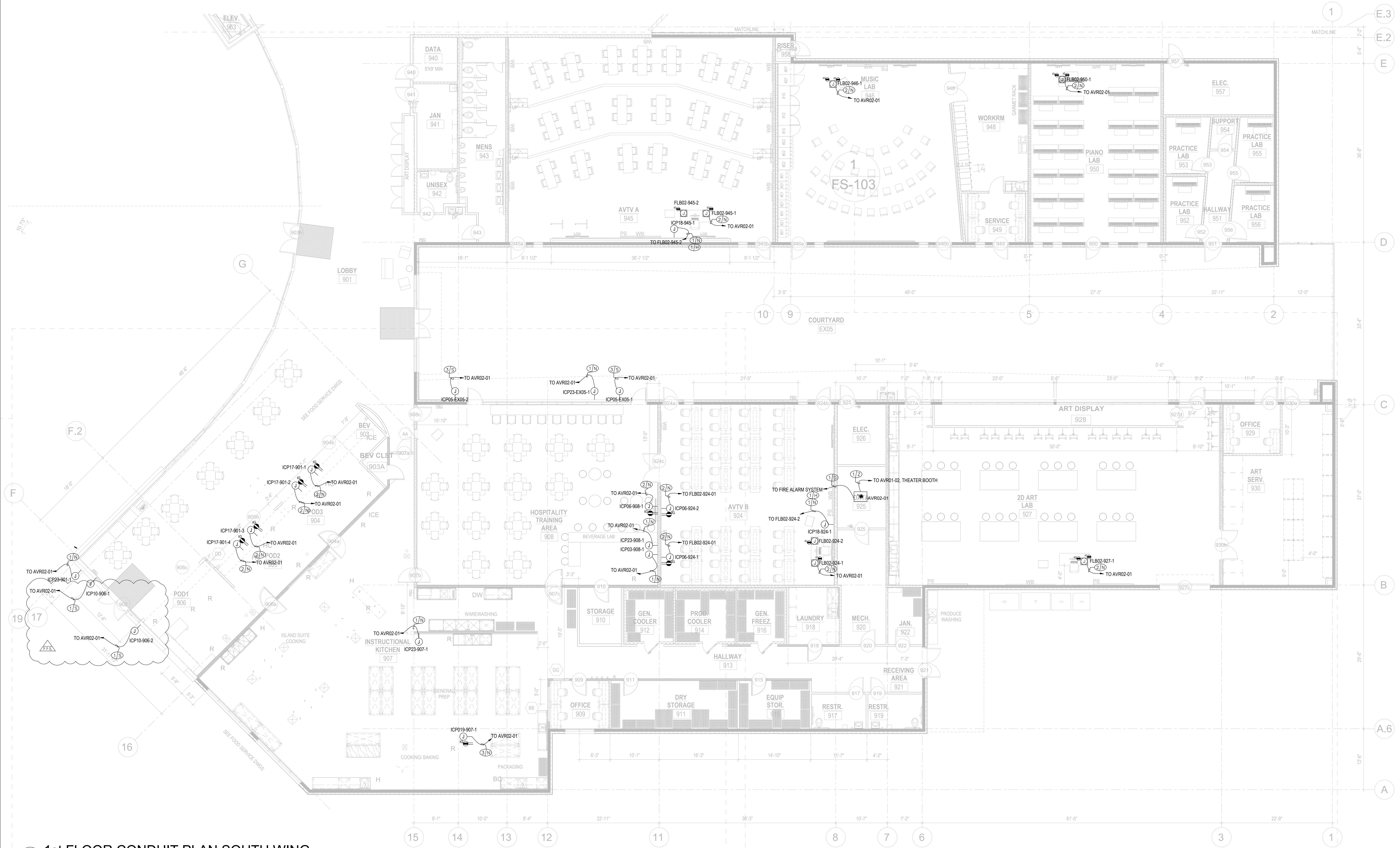
drawing no.:
 AV-104

drawing of

- DEVICE # ① JUNCTION BOX WALL
 - DEVICE # ② JUNCTION BOX CEILING
 - QUAD POWER OUTLET WALL ISOLATED GROUND
 - DUPLX POWER OUTLET CEILING ISOLATED GROUND
 - SPECIAL POWER (SEE AV-700 SERIES FOR POWER REQUIREMENTS)
- HOMERUN $\frac{1}{16}$ "
- CABLE QUANTITY TO
- CABLE TYPE (SEE SCHEDULE ABOVE)

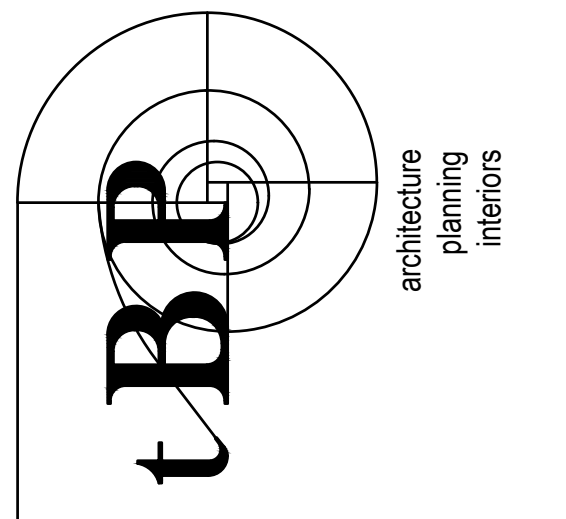
SHEET NOTES:
 1. ALL CABLES TERMINATE TO AV EQUIPMENT RACKS IN DATA ROOM UNLESS OTHERWISE INDICATED.
 2. SEE JUNCTION BOX SCHEDULES - AV1.00 FOR J-BOX TYPE, MOUNTING HEIGHT AND ASSOCIATED POWER REQUIREMENTS.

DESIGNATOR	CABLE TYPE	SIGNAL TYPE
A	BELDEN 9451	AUDIO
C	BELDEN 8762	INTERCOM
D	BELDEN 9451	RELAY CONTROL
H	BELDEN 4794R	HD-SOI T2G
N	BELDEN 2412F	NETWORK/DXLINK
R	BELDEN 7808A	RF
S	BELDEN 1860A	SPEAKER 12AWG
T	BELDEN 6100UP	SPEAKER 10 AWG
V	BELDEN 1503A	VIDEO
X	BELDEN 1502B	POWER & DATA
Y	BELDEN 9258	RF LONG DISTANCE
Z	CORNING 0121RFX113129	FIBER 12 MM50um



1 1st FLOOR CONDUIT PLAN SOUTH WING
 SCALE: 1/8"=1'-0"

DSA Application #02-118286
 DSA File #58-C1



1777 Oakland Boulevard, Suite 320
 Walnut Creek, CA 94596
 ph. 925.246.6419

AV SYSTEM CONSULTANT:
A+G Andrew Design Group, Inc.
 Andrew Design Group, Inc.
 626-744-9358
 adg@AndrewDesign.com
 www.AndrewDesign.com

WOODLAND COMMUNITY COLLEGE
 PERFORMING ARTS/
 CULINARY SERVICES
 FACILITY
 2300 E. GIBSON RD., WOODLAND, CA 95776
 YUBA COMMUNITY COLLEGE DISTRICT

tBP project number: 22039.00

file name:

drawn by: checked by:

date: Issue Date MAY 17, 2021

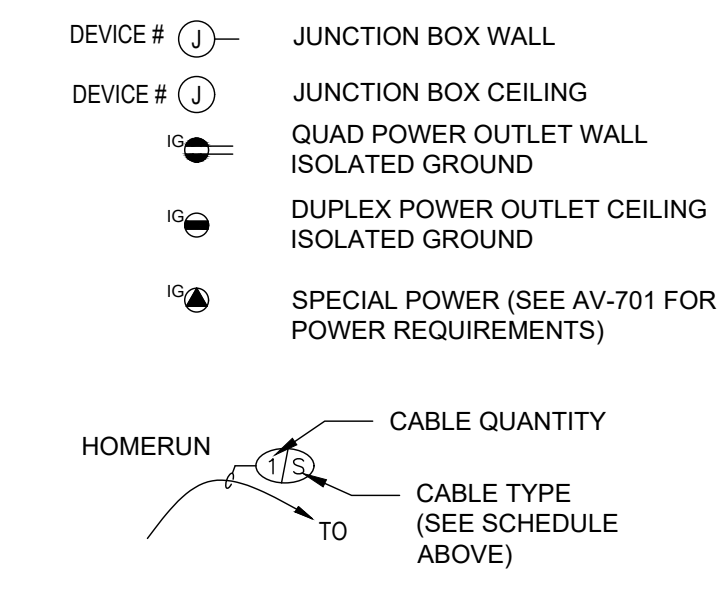
rev. date: description:

05/17/2021	BID SET
12/23/2021	ADDENDUM #4
DELTA A17 12/12/2022	ASI 17
FFE 05/30/2023	FF&E UPDATE

THIS DRAWING AND THE DESIGN, SPECIFICATIONS, IDEAS AND OTHER INFORMATION CONTAINED HEREIN CONSTITUTE UNPUBLISHED WORK OF ARCHITECTURE AND SHALL REMAIN PROPERTY OF ARCHITECTURE IN PROPRIETY. NO PART HEREOF SHALL BE REPRODUCED, DISCLOSED, DISTRIBUTED, COPIED, PUBLISHED OR OTHERWISE USED IN ANY MANNER WITHOUT THE EXPRESS WRITTEN CONSENT OF ARCHITECTURE.

drawing title:
 AV JUNCTION BOX PLAN
 1ST FLOOR SOUTH WING
 drawing no.:
AV-105

drawing of

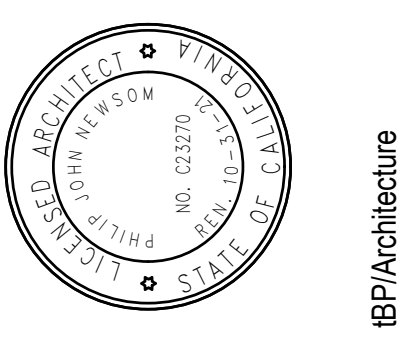
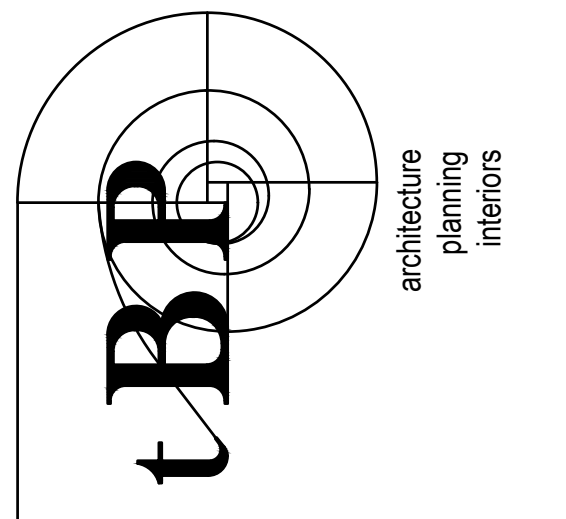


SHEET NOTES:
 1. ALL CABLES TERMINATE TO AV EQUIPMENT RACKS IN CONTROL ROOM UNLESS OTHERWISE INDICATED.
 2. SEE JUNCTION BOX SCHEDULES - AV1.00 FOR J-BOX TYPE, MOUNTING HEIGHT AND ASSOCIATED POWER REQUIREMENTS.

CABLE SCHEDULE

DESIGNATOR	CABLE TYPE	SIGNAL TYPE
A	BELDEN 9451	AUDIO
C	BELDEN 8762	INTERCOM
D	BELDEN 9451	RELAY CONTROL
H	BELDEN 4794R	HD-SDI T2G
N	BELDEN 7412F	NETWORK/DXLINK
R	BELDEN 7808A	RF
S	BELDEN 1860A	SPEAKER 12AWG
T	BELDEN 6100UP	SPEAKER 10 AWG
V	BELDEN 1505A	VIDEO
X	BELDEN 1502R	POWER & DATA

DSA Application #02-118286
 DSA File #58-C1



tBP/Architecture
 1777 Oakland Boulevard, Suite 320
 Walnut Creek, CA 94596
 ph. 925.246.6419

AV SYSTEM CONSULTANT:
A+G Andrew Design Group, Inc.
 Andrew Design Group, Inc.
 626-744-6558
 adg@AndrewDesign.com
 www.AndrewDesign.com

consultant

**WOODLAND COMMUNITY COLLEGE
 PERFORMING ARTS/
 CULINARY SERVICES
 FACILITY**
 2300 E. GIBSON RD., WOODLAND, CA 95776
 YUBA COMMUNITY COLLEGE DISTRICT

tBP project number: 22039.00

file name:

drawn by: checked by:

date: Issue Date MAY 17, 2021

rev. date: description:

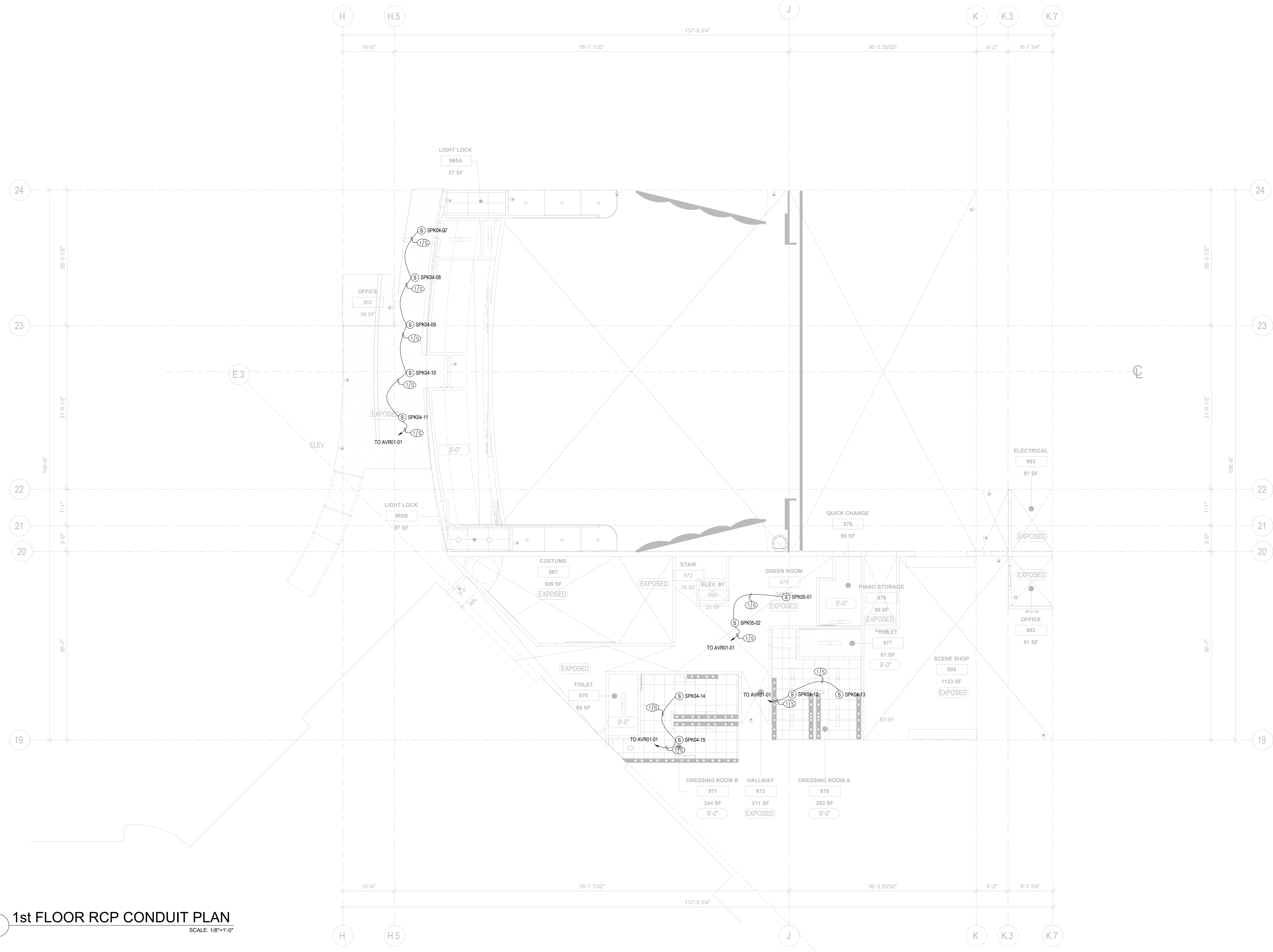
05/17/2021	BID SET
12/23/2021	ADDENDUM #4
DELTA A17 12/12/2022	ASI 17
FFE 05/30/2023	FF&E UPDATE

THIS DRAWING AND THE DESIGN, SPECIFICATIONS, IDEAS AND OTHER INFORMATION CONTAINED HEREIN CONSTITUTE UNPUBLISHED WORK OF ARCHITECTURE AND SHALL REMAIN PROPERTY OF ARCHITECTURE IN PERPETUITY. NO PART HEREOF SHALL BE REPRODUCED, DISCLOSED, DISTRIBUTED, COPIED, PUBLISHED OR OTHERWISE USED IN ANY MANNER WITHOUT THE ADVANCED EXPRESS WRITTEN CONSENT OF ARCHITECTURE.

drawing title:
**AV JUNCTION BOX RCP
 1ST FLOOR**

drawing no.:
AV-201

drawing of



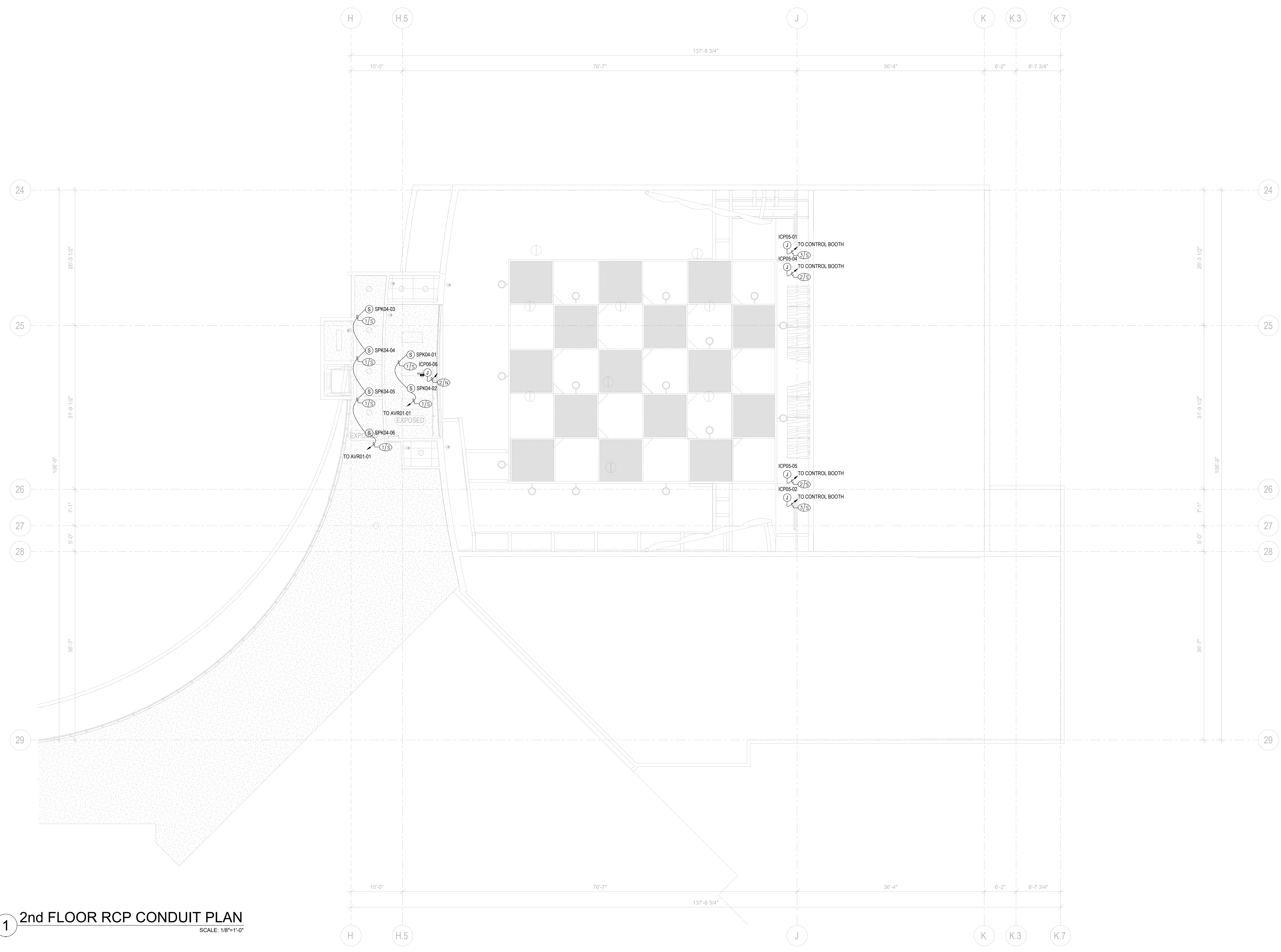
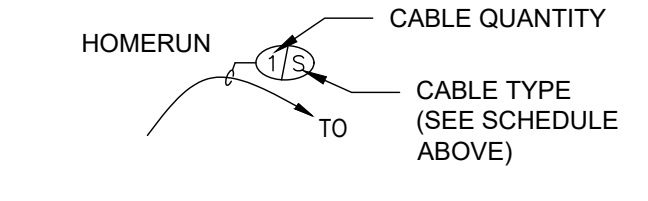
1 1st FLOOR RCP CONDUIT PLAN
 SCALE: 1/8"=1'-0"

- DEVICE # ① JUNCTION BOX WALL
 DEVICE # ② JUNCTION BOX CEILING
 QUAD POWER OUTLET WALL ISOLATED GROUND
 DUPLEX POWER OUTLET CEILING ISOLATED GROUND
 SPECIAL POWER (SEE AV-7.01 FOR POWER REQUIREMENTS)

- SHEET NOTES:
 1. ALL CABLES TERMINATE TO AV EQUIPMENT RACKS IN CONTROL ROOM UNLESS OTHERWISE INDICATED.
 2. SEE JUNCTION BOX SCHEDULES - AV1.00 FOR J-BOX TYPE, MOUNTING HEIGHT AND ASSOCIATED POWER REQUIREMENTS.

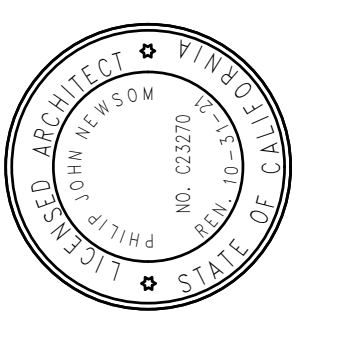
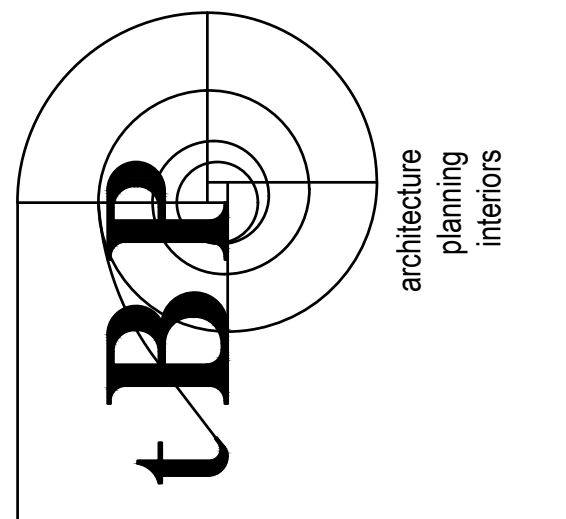
CABLE SCHEDULE

DESIGNATOR	CABLE TYPE	SIGNAL TYPE
A	BELDEN 9451	AUDIO
C	BELDEN 8762	INTERCOM
D	BELDEN 9451	RELAY CONTROL
H	BELDEN 4794R	HD-SDI T2G
N	BELDEN 7412F	NETWORK/DXLINK
R	BELDEN 7808A	RF
S	BELDEN 1860A	SPEAKER 12AWG
T	BELDEN 6100UP	SPEAKER 10 AWG
V	BELDEN 1505A	VIDEO
X	BELDEN 1502R	POWER & DATA



1 2nd FLOOR RCP CONDUIT PLAN
 SCALE: 1/8"=1'-0"

DSA Application #02-118286
 DSA File #58-C1



tBP/Architecture
 1777 Oakland Boulevard, Suite 320
 Walnut Creek, CA 94596
 ph. 925.246.6419

AV SYSTEM CONSULTANT:
A+G Andrew Design Group, Inc.
 A/V Consulting and Engineering
 Andrew Design Group, Inc.
 626-744-9358
 adg@AndrewDesign.com
 www.AndrewDesign.com

WOODLAND COMMUNITY COLLEGE
 PERFORMING ARTS/
 CULINARY SERVICES
 FACILITY
 2300 E. GIBSON RD., WOODLAND, CA 95776
 YUBA COMMUNITY COLLEGE DISTRICT

tBP project number: 22039.00

file name:

drawn by: checked by:

date: Issue Date MAY 17, 2021

rev. date: description:

05/17/2021	BID SET
12/23/2021	ADDENDUM #4
DELTA A17 12/12/2022	ASI 17
FFE 05/30/2023	FF&E UPDATE

THIS DRAWING AND THE DESIGN, SPECIFICATIONS, IDEAS AND OTHER INFORMATION CONTAINED HEREIN CONSTITUTE UNPUBLISHED WORK OF ARCHITECTURE AND SHALL REMAIN PROPERTY OF ARCHITECTURE IN PERPETUITY. NO PART THEREOF SHALL BE REPRODUCED, DISCLOSED, DISTRIBUTED, SOLD, PUBLISHED OR OTHERWISE USED IN ANY WAY WITHOUT THE EXPRESS WRITTEN CONSENT OF ARCHITECTURE.

drawing title:
 AV JUNCTION BOX PLAN
 2ND FLOOR

drawing no.:
 AV-202

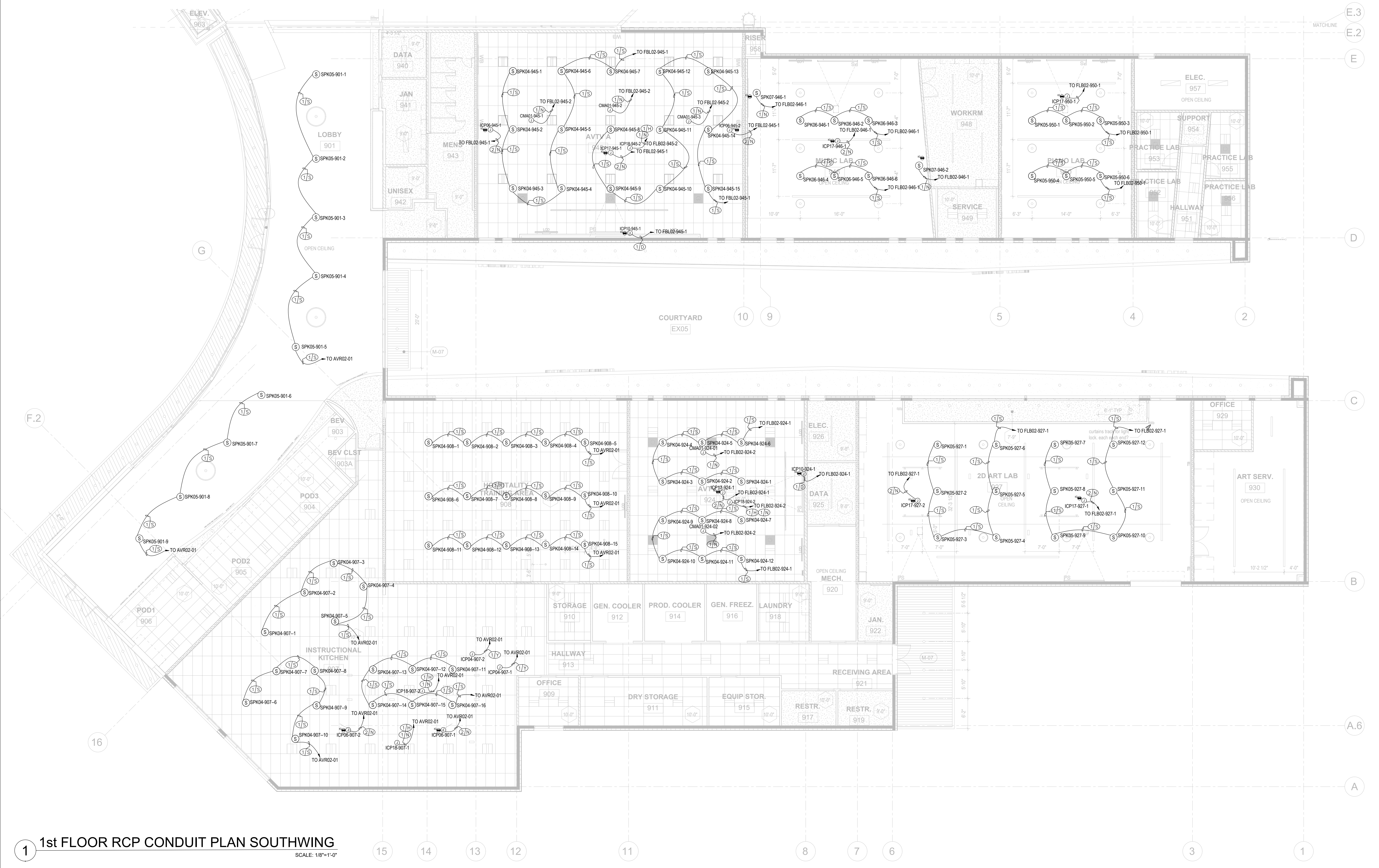
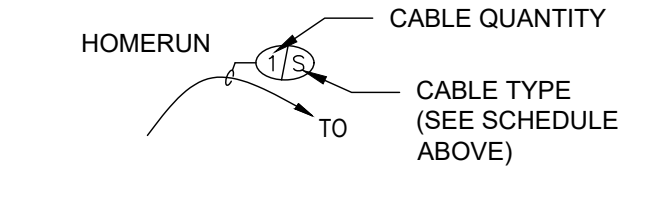
drawing of

- DEVICE # ① JUNCTION BOX WALL
 DEVICE # ② JUNCTION BOX CEILING
 QUAD POWER OUTLET WALL ISOLATED GROUND
 DUPLEX POWER OUTLET CEILING ISOLATED GROUND
 SPECIAL POWER (SEE AV-7.01 FOR POWER REQUIREMENTS)

- SHEET NOTES:
 1. ALL CABLES TERMINATE TO AV EQUIPMENT RACKS IN CONTROL ROOM UNLESS OTHERWISE INDICATED.
 2. SEE JUNCTION BOX SCHEDULES - AV1.00 FOR J-BOX TYPE, MOUNTING HEIGHT AND ASSOCIATED POWER REQUIREMENTS.

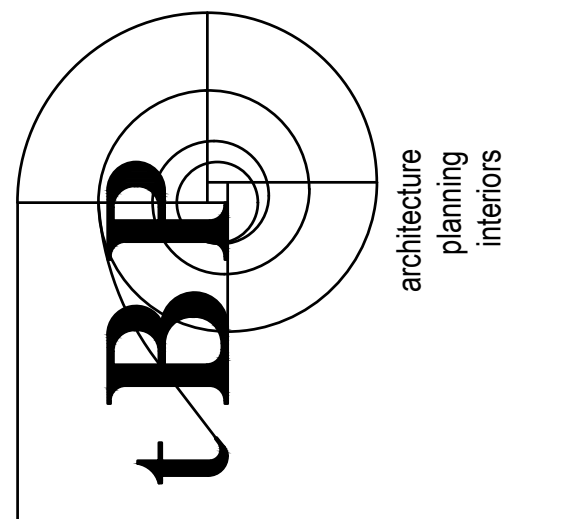
CABLE SCHEDULE

DESIGNATOR	CABLE TYPE	SIGNAL TYPE
A	BELDEN 9451	AUDIO
C	BELDEN 8762	INTERCOM
D	BELDEN 9451	RELAY CONTROL
H	BELDEN 4794R	HD-SDI 12G
N	BELDEN 2412E	NETWORK/DXLINK
R	BELDEN 7808A	RF
S	BELDEN 1860A	SPEAKER 12AWG
T	BELDEN 6100UP	SPEAKER 10 AWG
V	BELDEN 1503A	VIDEO
X	BELDEN 1502B	POWER & DATA
Y	BELDEN 9258	RF LONG DISTANCE



1 1st FLOOR RCP CONDUIT PLAN SOUTHWING
 SCALE: 1/8"=1'-0"

DSA Application #02-118286
 DSA File #58-C1



IBP/Architecture
 1777 Oakland Boulevard, Suite 320
 Walnut Creek, CA 94596
 ph. 925.246.6419

AV SYSTEM CONSULTANT:
A+G Andrew Design Group, Inc.
 A/V Consulting and Engineering
 Andrew Design Group, Inc.
 626-744-9358
 adg@AndrewDesign.com
 www.AndrewDesign.com

consultant

WOODLAND COMMUNITY COLLEGE
 PERFORMING ARTS/
 CULINARY SERVICES
 FACILITY
 2300 E. GIBSON RD., WOODLAND, CA 95776
 YUBA COMMUNITY COLLEGE DISTRICT

owner

project number:	22039.00
file name:	
drawn by:	checked by:
date:	Issue Date MAY 17, 2021
rev.	date: description:
	05/17/2021 BID SET
	12/23/2021 ADDENDUM #4
	DELTA A17 12/12/2022 ASI 17
	FFE 05/30/2023 FFE UPDATE

THIS DRAWING AND THE DESIGN, SPECIFICATIONS, IDEAS AND OTHER INFORMATION CONTAINED HEREIN CONSTITUTE UNPUBLISHED WORK OF ARCHITECTURE AND SHALL REMAIN PROPERTY OF ARCHITECTURE IN PERPETUITY. NO PART HEREOF SHALL BE REPRODUCED, DISCLOSED, DISTRIBUTED, COPIED, PUBLISHED OR OTHERWISE USED IN ANY MANNER WITHOUT THE ADVANCED EXPRESS WRITTEN CONSENT OF ARCHITECTURE.

drawing title:
 AV JUNCTION BOX RCP
 CLASSROOMS

drawing no.:
 AV-205

drawing of

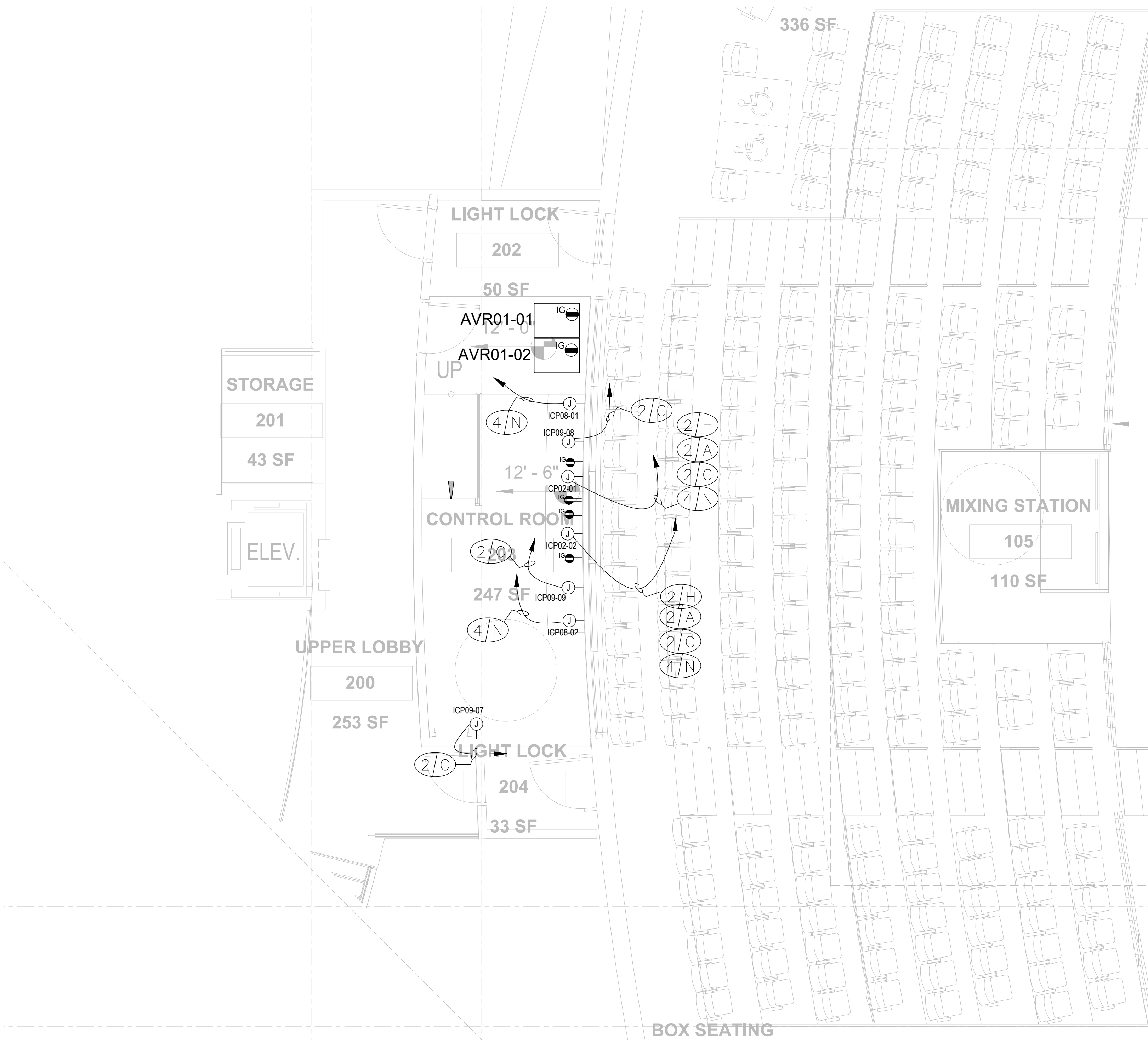
- SHEET NOTES:
- ALL CABLES TERMINATE TO AV EQUIPMENT RACKS IN CONTROL ROOM UNLESS OTHERWISE INDICATED.
 - SEE JUNCTION BOX SCHEDULES - AV1.00 FOR J-BOX TYPE, MOUNTING HEIGHT AND ASSOCIATED POWER REQUIREMENTS.

CABLE SCHEDULE

DESIGNATOR	CABLE TYPE	SIGNAL TYPE
A	BELDEN 9451	AUDIO
C	BELDEN 8762	INTERCOM
D	BELDEN 9451	RELAY CONTROL
H	BELDEN 4794R	HD-SDI T2C
N	BELDEN 2412F	NETWORK/DXLINK
R	BELDEN 7808A	RF
S	BELDEN 1860A	SPEAKER 12AWG
T	BELDEN 6100UP	SPEAKER 10_AWG
V	BELDEN 1505A	VIDEO
X	BELDEN 1502R	POWER & DATA

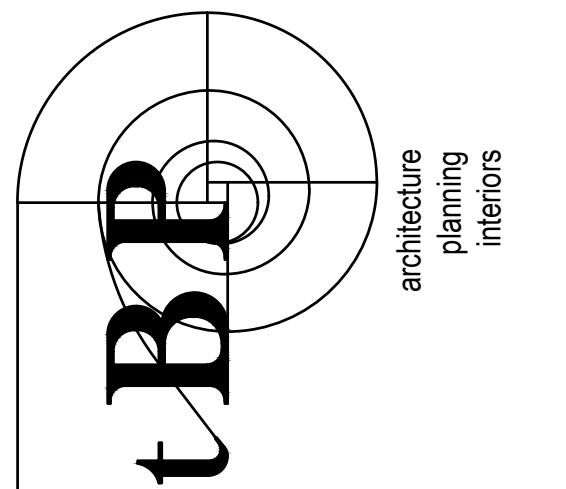
- DEVICE #
- ① JUNCTION BOX WALL
 - ② JUNCTION BOX CEILING
 - ③ QUAD POWER OUTLET WALL ISOLATED GROUND
 - ④ DUPLEX POWER OUTLET CEILING ISOLATED GROUND
 - ⑤ SPECIAL POWER (SEE AV7.01 FOR POWER REQUIREMENTS)

- HOMERUN
- ① CABLE QUANTITY
 - ② CABLE TYPE (SEE SCHEDULE ABOVE)



1 2nd FLOOR CONDUIT PLAN CONTROL BOOTH
SCALE: 1/4"=1'-0"

DSA Application #02-118286
DSA File #58-C1



tBP Architecture
1777 Oakland Boulevard, Suite 320
Walnut Creek, CA 94596
ph. 925.246.6419



AV SYSTEM CONSULTANT:
Andrew Design Group, Inc.
626-744-9358
adg@AndrewDesign.com
www.AndrewDesign.com

WOODLAND COMMUNITY COLLEGE
PERFORMING ARTS/
CULINARY SERVICES
FACILITY
2300 E. GIBSON RD., WOODLAND, CA 95776
YUBA COMMUNITY COLLEGE DISTRICT

tBP project number: 22039.00

file name:

drawn by: checked by:

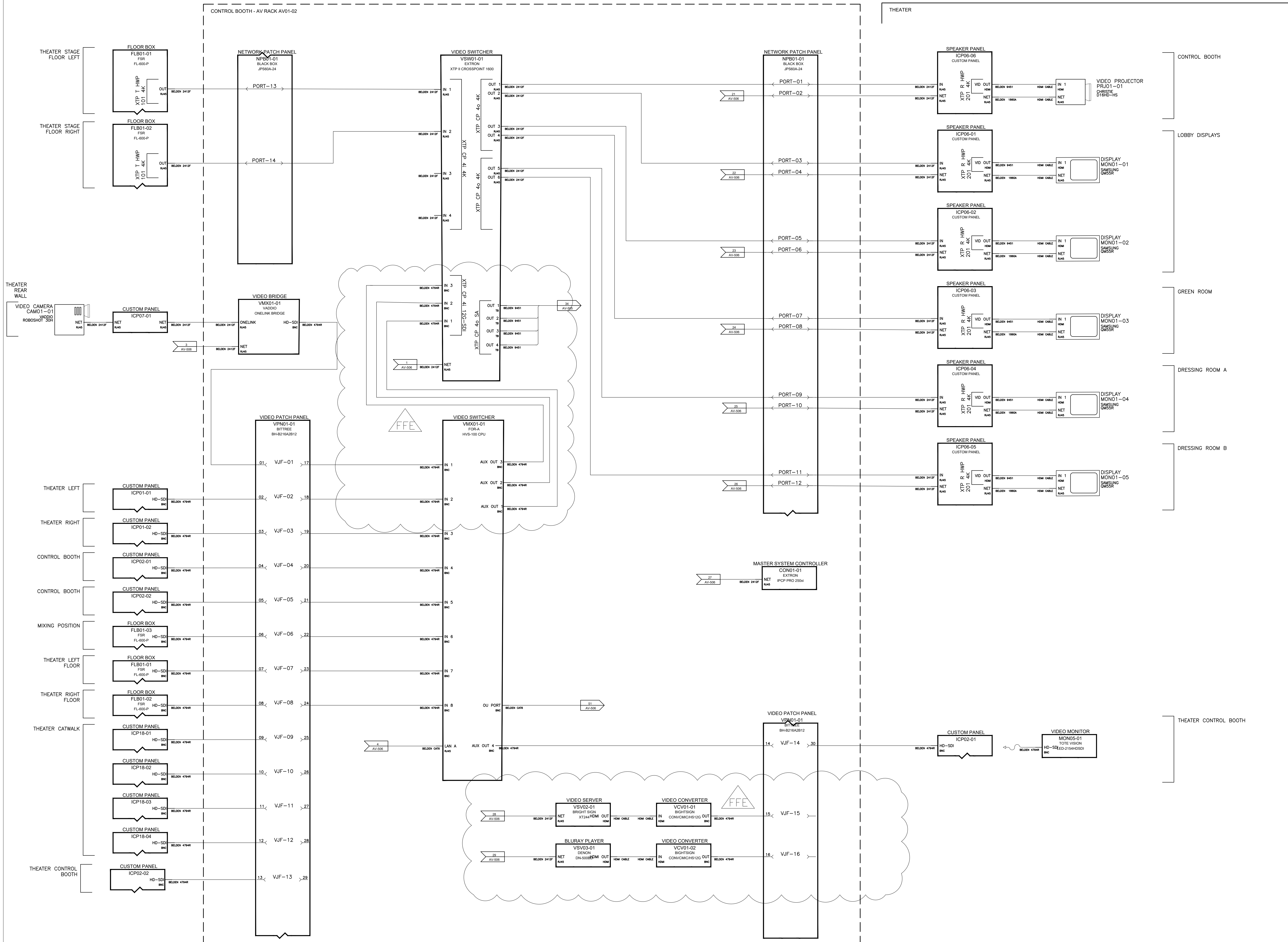
date: Issue Date MAY 17, 2021

rev.	date	description
	05/17/2021	BID SET
	12/23/2021	ADDENDUM #4
	05/30/2023	FF&E UPDATE

DELTA A17 12/12/2022 ASI 17

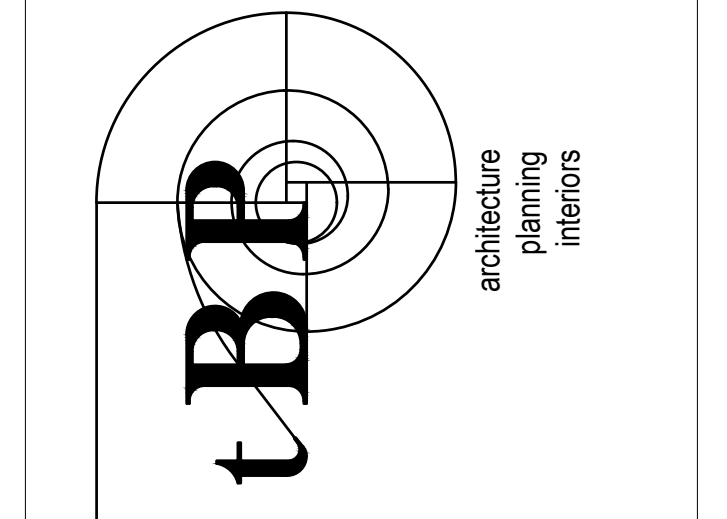
THIS DRAWING AND THE DESIGN, SPECIFICATIONS, IDEAS AND OTHER INFORMATION CONTAINED HEREIN CONSTITUTE UNPUBLISHED WORK OF ARCHITECTURE AND SHALL REMAIN PROPERTY OF ARCHITECTURE IN PERPETUITY. NO PART HEREOF SHALL BE REPRODUCED, DISCLOSED, DISTRIBUTED, COPIED, PUBLISHED OR OTHERWISE USED IN ANY WAY WITHOUT THE ADVANCED EXPRESS WRITTEN CONSENT OF ARCHITECTURE.

drawing title:
AV JUNCTION BOX PLAN
2ND FLOOR CONTROL BOOTH
LAYOUT
drawing no.:
AV-301
drawing of



1 THEATER - VIDEO SCHEMATIC
SCALE: NONE

DSA Application #02-118286
DSA File #58-C1



agency
architecture
planning
interiors
architect
1BP/Architecture
1777 Oakland Boulevard, Suite 320
Walnut Creek, CA 94596
ph. 925.246.6419



AV SYSTEM CONSULTANT:
Andrew Design Group, Inc.
AV Consulting and Engineering
Andrew Design Group, Inc.
626-744-9358
adg@AndrewDesign.com
www.AndrewDesign.com

consultant

WOODLAND COMMUNITY COLLEGE
PERFORMING ARTS/
CULINARY SERVICES
FACILITY
2300 E. GIBSON RD., WOODLAND, CA 95776
YUBA COMMUNITY COLLEGE DISTRICT

owner

project number: 22039.00

file name:

drawn by: checked by:

date: Issue Date MAY 17, 2021

rev. date: description:

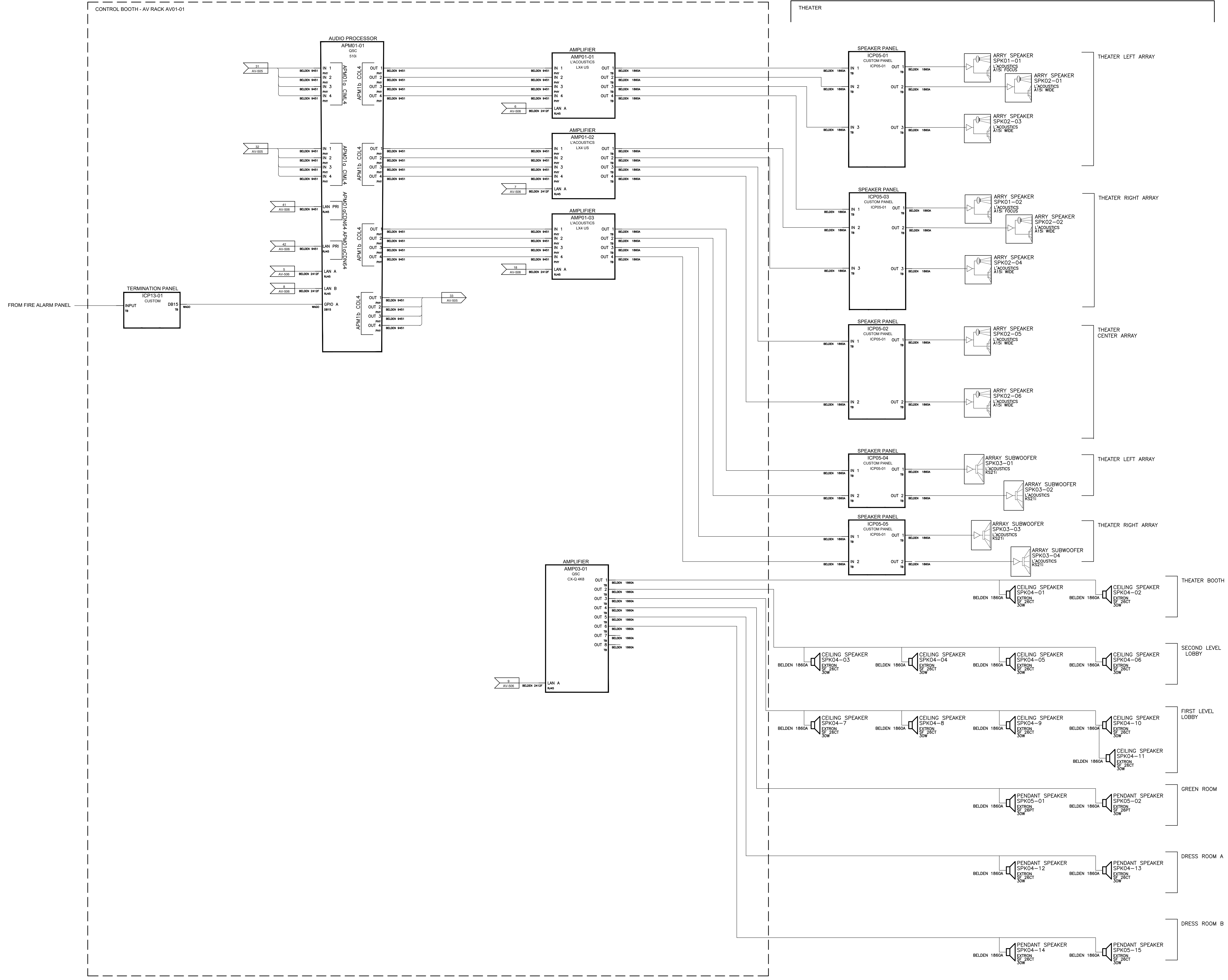
05/17/2021	BID SET
12/23/2021	ADDENDUM #4
DELTA A17 12/12/2022	ASI 17
FFE 05/30/2023	FF&E UPDATE

THIS DRAWING AND THE DESIGN, SPECIFICATIONS, IDEAS AND OTHER INFORMATION CONTAINED HEREIN CONSTITUTE UNPUBLISHED WORK OF ARCHITECTURE AND SHALL REMAIN PROPERTY OF ARCHITECTURE IN PROPRIETY. NO PART THEREOF SHALL BE REPRODUCED, DISCLOSED, DISTRIBUTED, SOLD, RENTED OR OTHERWISE USED IN ANY MANNER WITHOUT THE EXPRESS WRITTEN CONSENT OF ARCHITECTURE.

drawing title:
AV SINGLE LINE

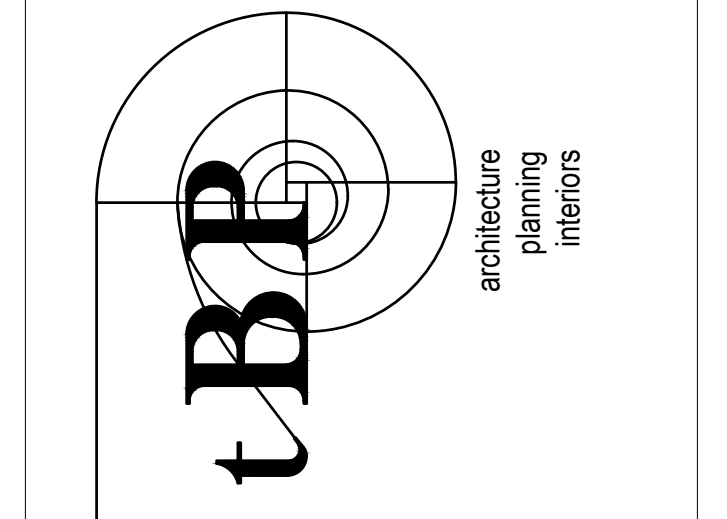
drawing no.:
NONE AV501

drawing of



1 THEATER - AUDIO SCHEMATIC
SCALE: NONE

DSA Application #02-118286
DSA File #58-C1



tBP/Architecture
1777 Oakland Boulevard, Suite 320
Walnut Creek, CA 94596
ph. 925.246.6419

AV SYSTEM CONSULTANT:
A+G Andrew Design Group, Inc.
AV Consulting and Engineering
Andrew Design Group, Inc.
625-744-5058
adg@AndrewDesign.com
www.AndrewDesign.com

consultant

WOODLAND COMMUNITY COLLEGE
PERFORMING ARTS/
CULINARY SERVICES
FACILITY
2300 E. GIBSON RD., WOODLAND, CA 95776
YUBA COMMUNITY COLLEGE DISTRICT

owner

project number: 22039.00

file name:

drawn by: checked by:

date: Issue Date MAY 17, 2021

rev.	date:	description:
05/17/2021		BID SET
12/23/2021		ADDENDUM #4
DELTA A17 12/12/2022		ASI 17
FFE 05/30/2023		FF&E UPDATE

THIS DRAWING AND THE DESIGN, SPECIFICATIONS, IDEAS AND OTHER INFORMATION CONTAINED HEREIN CONSTITUTE UNPUBLISHED WORK OF ARCHITECTURE AND SHALL REMAIN PROPERTY OF ARCHITECTURE IN PROPRIETY. NO PART HEREOF SHALL BE REPRODUCED, DISCLOSED, DISTRIBUTED, SOLD, PUBLISHED OR OTHERWISE USED IN ANY MANNER WITHOUT THE EXPRESS WRITTEN CONSENT OF ARCHITECTURE.

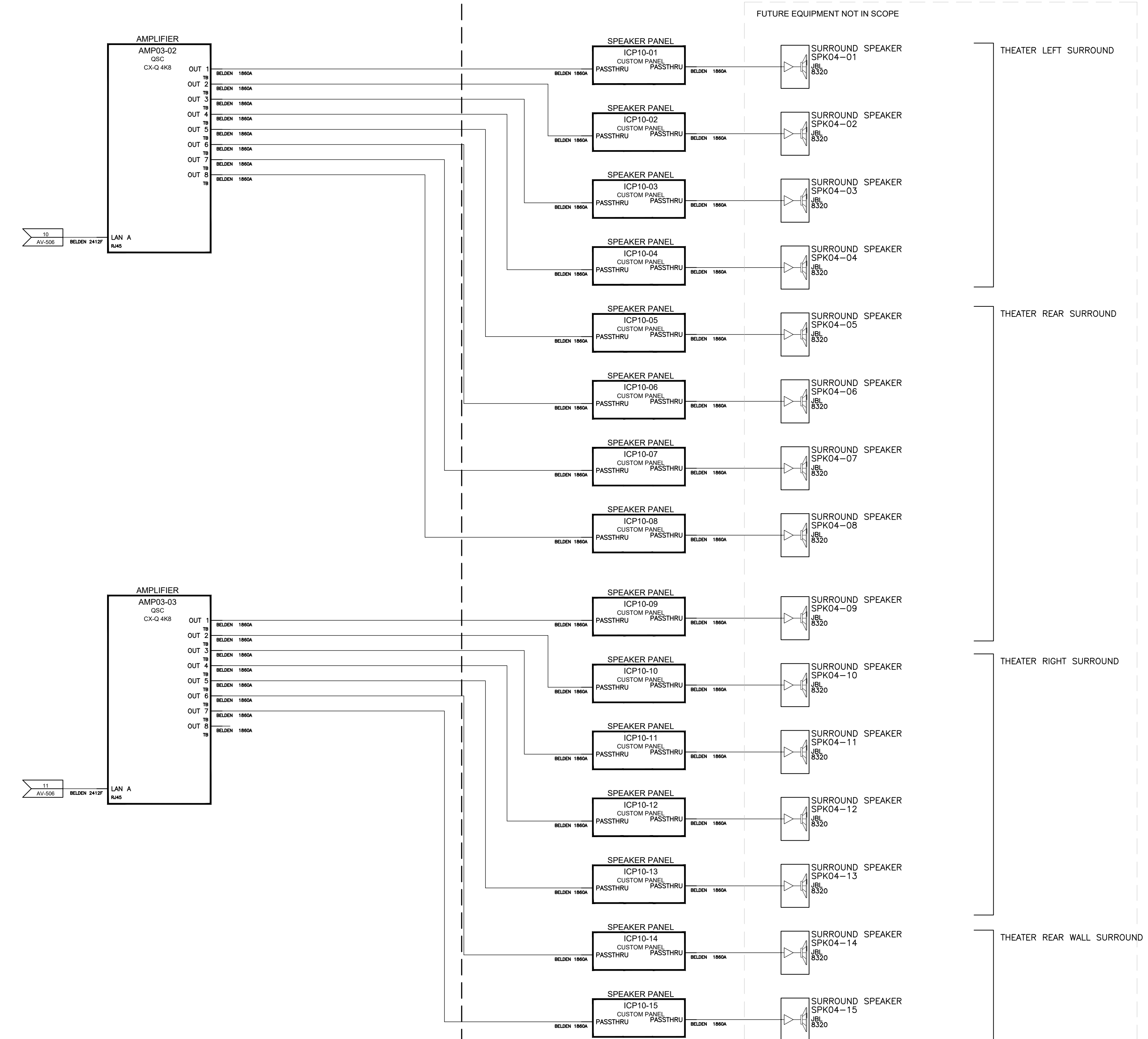
drawing title:
AV SINGLE LINE

drawing no.:
NONE AV502

drawing of

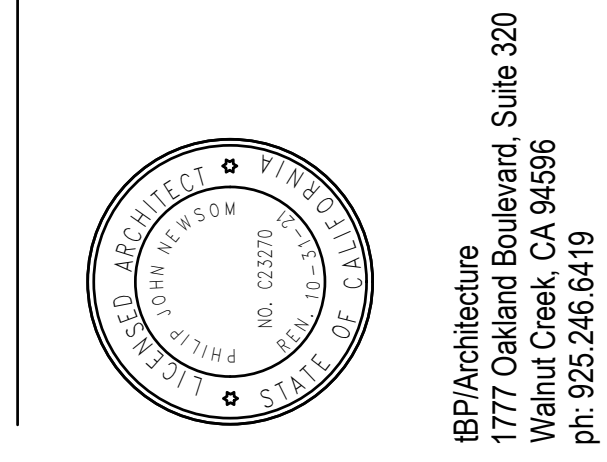
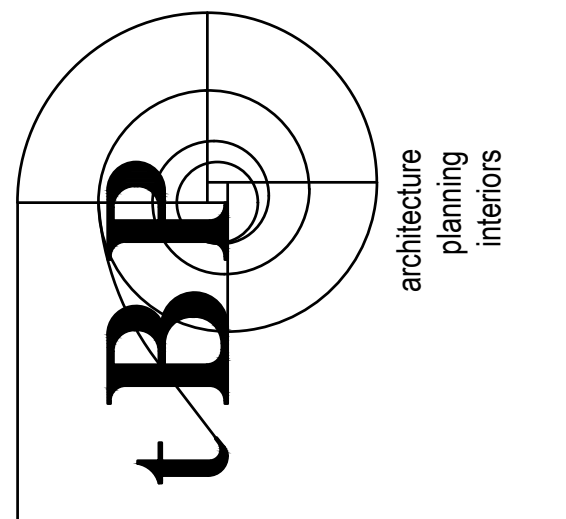
CONTROL BOOTH - AV RACK AV01-01

THEATER



1 THEATER - AUDIO SCHEMATIC
SCALE: NONE

DSA Application #02-118286
DSA File #58-C1



AV SYSTEM CONSULTANT:
A+G Andrew Design Group, Inc.
A/V Consulting and Engineering
Andrew Design Group, Inc.
626-744-9258
adg@AndrewDesign.com
www.AndrewDesign.com

WOODLAND COMMUNITY COLLEGE
PERFORMING ARTS/
CULINARY SERVICES
FACILITY
2300 E. GIBSON RD., WOODLAND, CA 95776
YUBA COMMUNITY COLLEGE DISTRICT

tBP project number: 22039.00

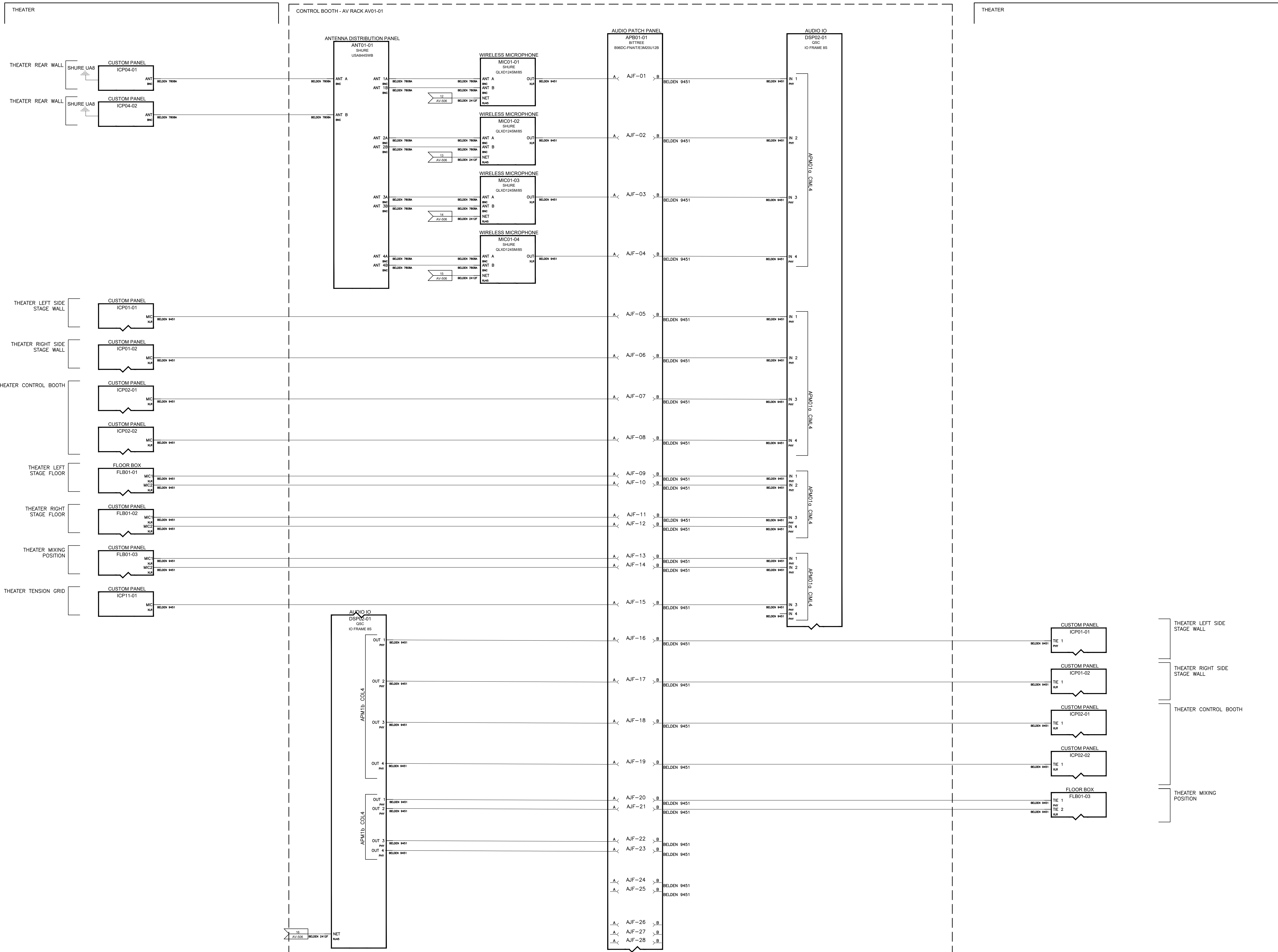
file name:	
drawn by:	checked by:
date: Issue Date	MAY 17, 2021
rev. date:	description:
05/17/2021	BID SET
12/23/2021	ADDENDUM #4
DELTA A17 12/12/2022	ASI 17
FFE 05/30/2023	FF&E UPDATE

THIS DRAWING AND THE DESIGN, SPECIFICATIONS, IDEAS AND OTHER INFORMATION CONTAINED HEREIN CONSTITUTE UNPUBLISHED WORK OF ARCHITECTURE AND SHALL REMAIN PROPERTY OF ARCHITECTURE IN PERPETUITY. NO PART THEREOF SHALL BE REPRODUCED, DISCLOSED, DISTRIBUTED, COPIED, PUBLISHED OR OTHERWISE USED IN ANY WAY WITHOUT THE ADVANCED EXPRESS WRITTEN CONSENT OF ARCHITECTURE.

drawing title:
AV SINGLE LINE

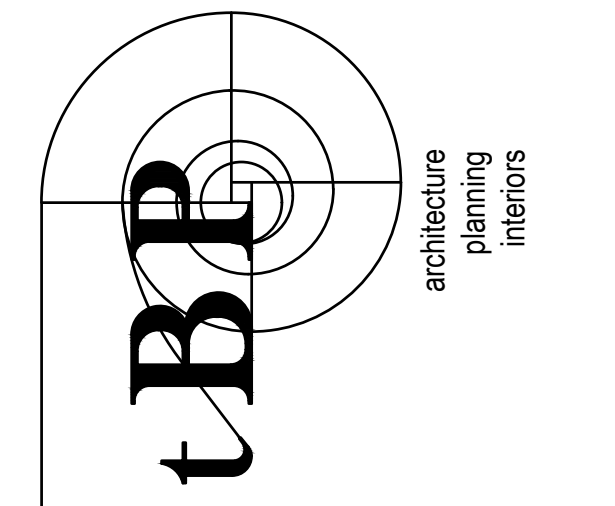
drawing no.:
NONE AV503

drawing of

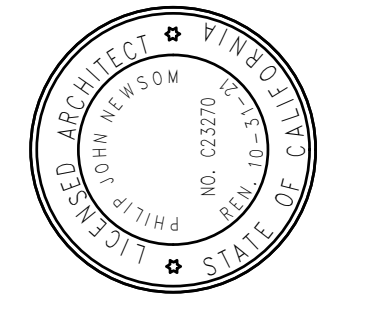


1 THEATER - AUDIO SCHEMATIC
SCALE: NONE

DSA Application #02-118286
DSA File #58-C1



agency
architecture
planning
interiors



IBP/Architecture
1777 Oakland Boulevard, Suite 320
Walnut Creek, CA 94596
ph. 925.246.6419



AV SYSTEM CONSULTANT:
Andrew Design Group, Inc.
A/V Consulting and Engineering
Andrew Design Group, Inc.
626-744-5258
adg@AndrewDesign.com
www.AndrewDesign.com

consultant

WOODLAND COMMUNITY COLLEGE
PERFORMING ARTS/
CULINARY SERVICES
FACILITY
2300 E. GIBSON RD., WOODLAND, CA 95776
YUBA COMMUNITY COLLEGE DISTRICT

owner

tBP project number: 22039.00	
file name:	
drawn by:	checked by:
date: Issue Date	MAY 17, 2021
rev.	date: description:
	05/17/2021 BID SET
	12/23/2021 ADDENDUM #4
	DELTA A17 12/12/2022 ASI 17
FFE	05/30/2023 FF&E UPDATE

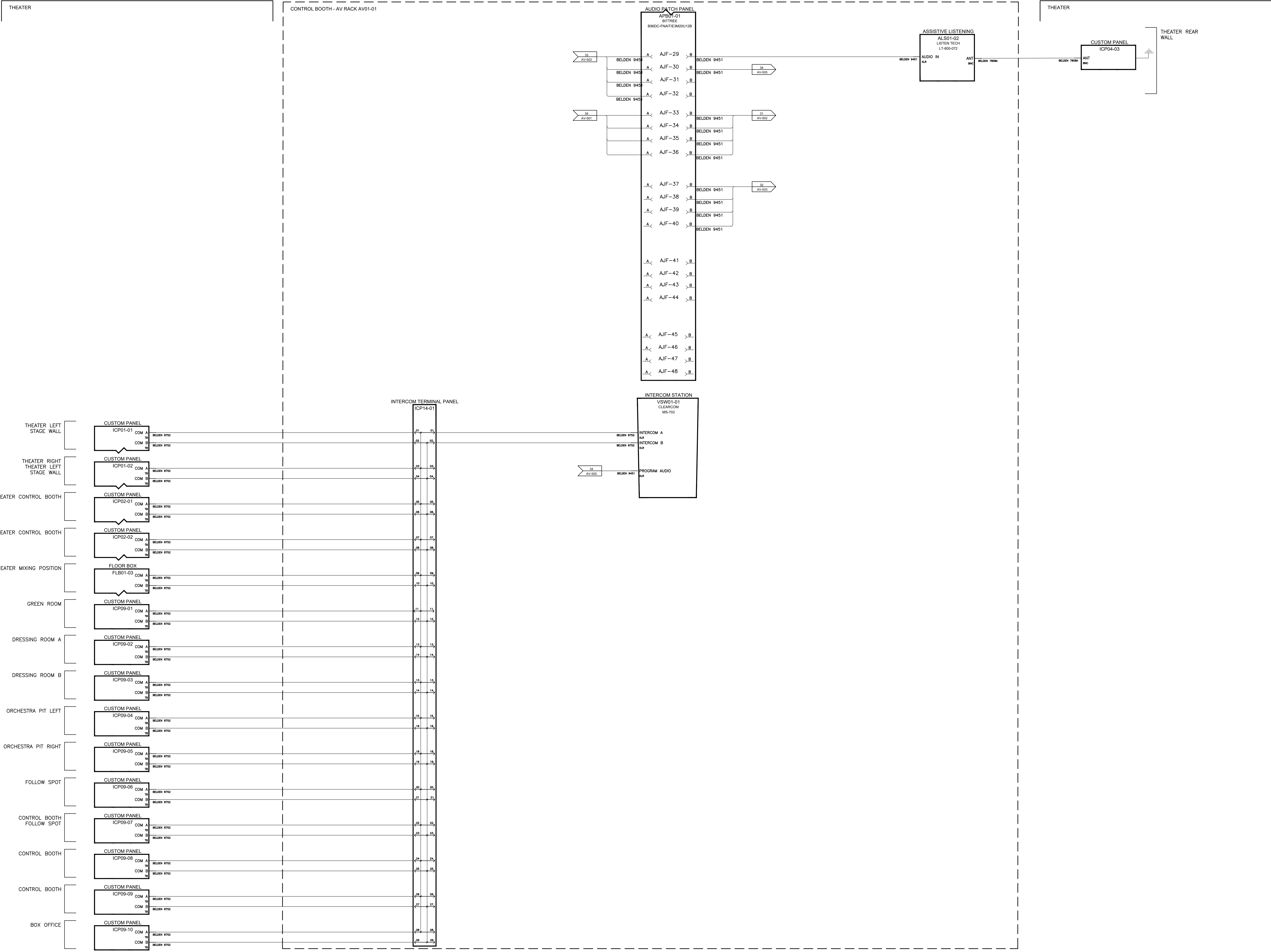
THIS DRAWING AND THE DESIGN, SPECIFICATIONS, IDEAS AND OTHER INFORMATION CONTAINED HEREIN CONSTITUTE UNPUBLISHED WORK OF ARCHITECTURE AND SHALL REMAIN PROPERTY OF ARCHITECTURE IN PROPRIETY. NO PART THEREOF SHALL BE REPRODUCED, DISCLOSED, DISTRIBUTED, COPIED, PUBLISHED OR OTHERWISE USED IN ANY MANNER WITHOUT THE EXPRESS WRITTEN CONSENT OF ARCHITECTURE.

drawing title:
AV SINGLE LINE

drawing no.:

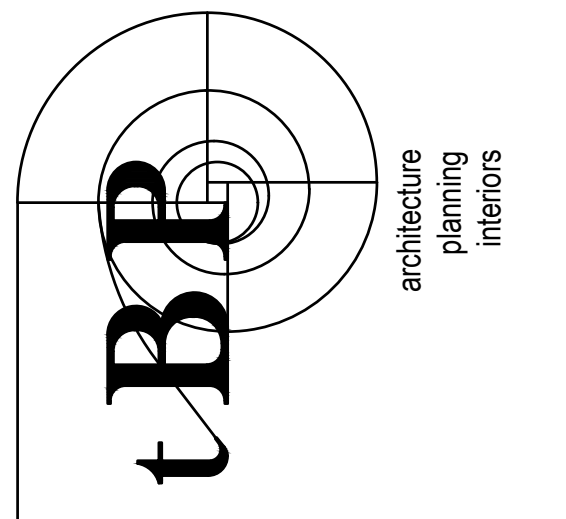
NONE AV504

drawing of



1 THEATER AUDIO AND INTERCOM SCHEMATIC
SCALE: NONE

DSA Application #02-118286
DSA File #58-C1



architecture
planning
interiors

1777 Oakland Boulevard, Suite 320
Walnut Creek, CA 94596
ph. 925.246.6419

AV SYSTEM CONSULTANT:

A+G Andrew Design Group, Inc.
A/V Consulting and Engineering
Andrew Design Group, Inc.
626-744-9258
adg@AndrewDesign.com
www.AndrewDesign.com

WOODLAND COMMUNITY COLLEGE
PERFORMING ARTS/
CULINARY SERVICES
FACILITY
2300 E. GIBSON RD., WOODLAND, CA 95776
YUBA COMMUNITY COLLEGE DISTRICT

tBP project number: 22039.00

file name:

drawn by: checked by:

date: Issue Date MAY 17, 2021

rev. date: description:

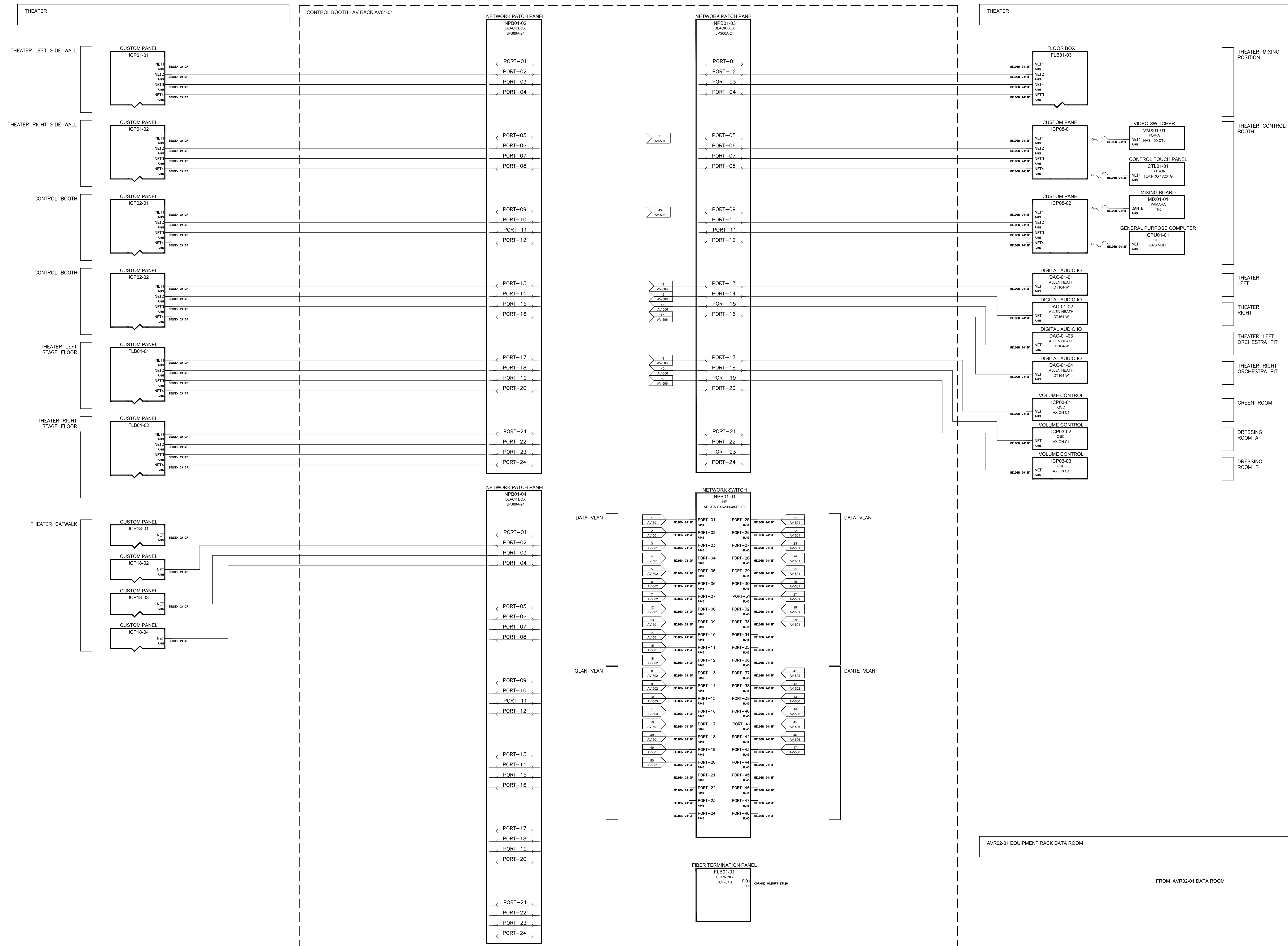
05/17/2021	BID SET
12/23/2021	ADDENDUM #4
DELTA A17 12/12/2022	ASI 17
FFE 05/30/2023	FF&E UPDATE

THIS DRAWING AND THE DESIGN, SPECIFICATIONS, IDEAS AND OTHER INFORMATION CONTAINED HEREIN CONSTITUTE UNPUBLISHED WORK OF ARCHITECTURE AND SHALL REMAIN PROPERTY OF ARCHITECTURE IN PERPETUITY. NO PART THEREOF SHALL BE REPRODUCED, DISCLOSED, DISTRIBUTED, COPIED, PUBLISHED OR OTHERWISE USED IN ANY MANNER WITHOUT THE EXPRESS WRITTEN CONSENT OF ARCHITECTURE.

drawing title:
AV SINGLE LINE

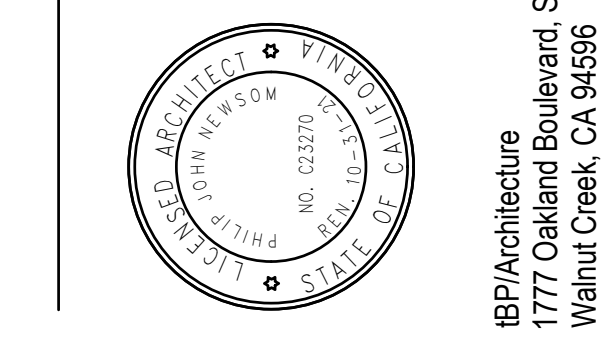
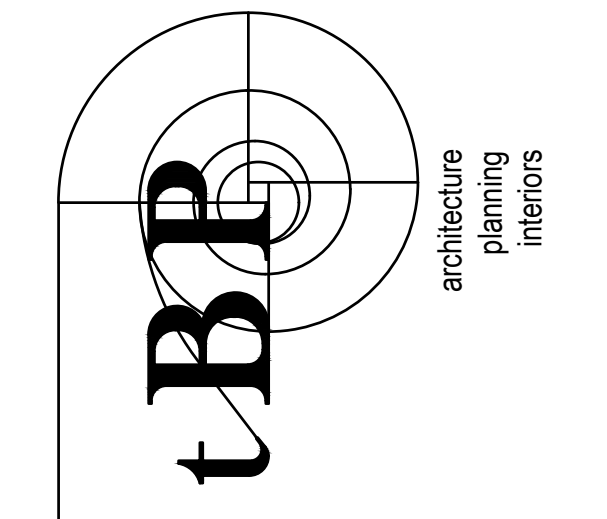
drawing no.:
NONE AV505

drawing of



1 THEATER NETWORK SCHEMATIC
SCALE: NONE

DSA Application #02-118286
DSA File #58-C1



tBP Architecture
1777 Oakland Boulevard, Suite 320
Walnut Creek, CA 94596
ph. 925.246.6419

AV SYSTEM CONSULTANT:
A+G Andrew Design Group, Inc.
AV Consulting and Engineering
Andrew Design Group, Inc.
626-744-5058
adg@AndrewDesign.com
www.AndrewDesign.com

consultant

WOODLAND COMMUNITY COLLEGE
PERFORMING ARTS/
CULINARY SERVICES
FACILITY
2300 E. GIBSON RD., WOODLAND, CA 95776
YUBA COMMUNITY COLLEGE DISTRICT

owner

tBP project number:	22039.00
file name:	
drawn by:	checked by:
date:	Issue Date MAY 17, 2021
rev.	date: description:
	05/17/2021 BID SET
	12/23/2021 ADDENDUM #4
	DELTA A17 12/12/2022 ASI 17
	FFE 05/30/2023 FF&E UPDATE

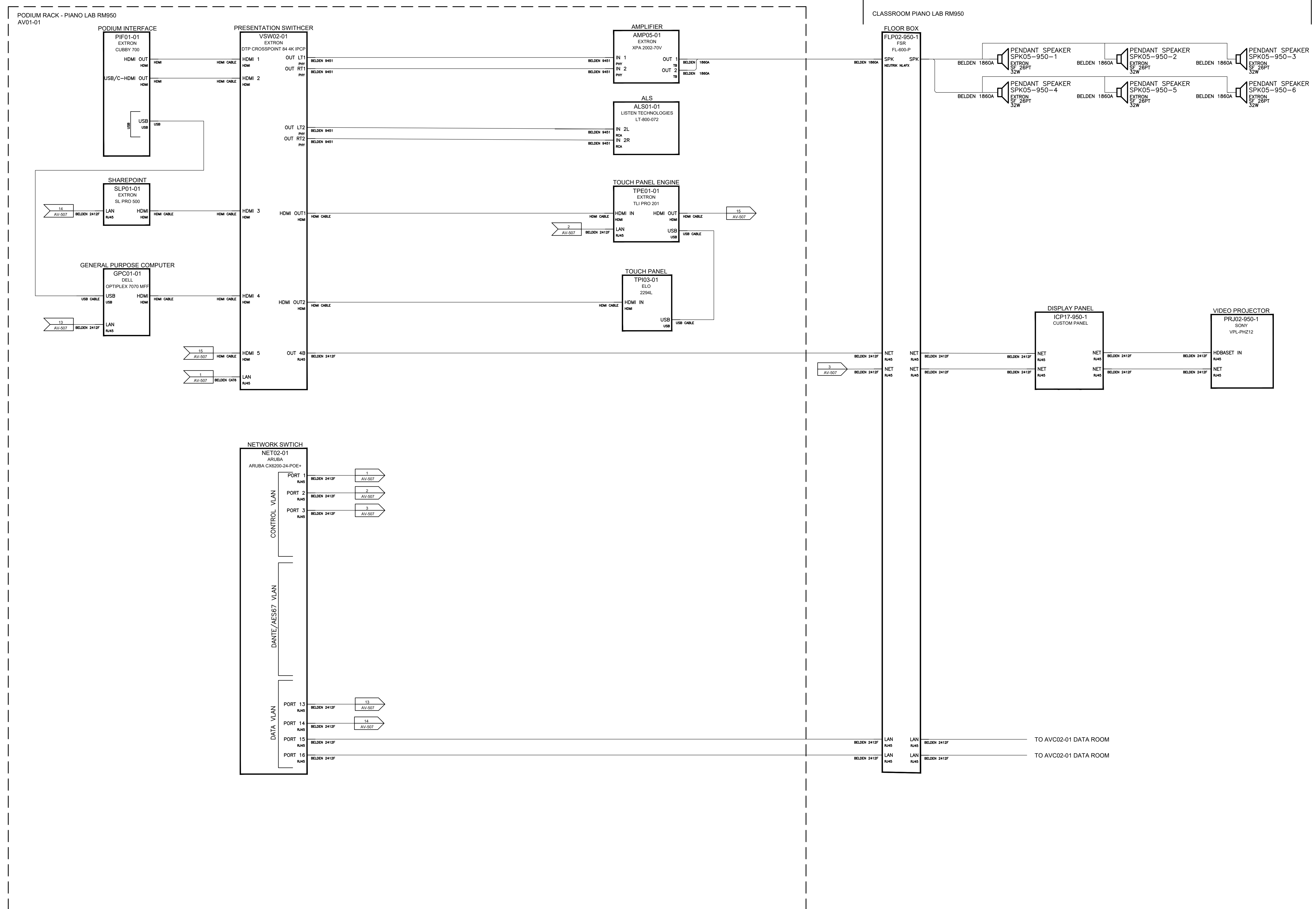
THIS DRAWING AND THE DESIGN, SPECIFICATIONS, IDEAS AND OTHER INFORMATION CONTAINED HEREIN CONSTITUTE UNPUBLISHED WORK OF ARCHITECTURE AND SHALL REMAIN PROPERTY OF ARCHITECTURE IN PROPRIETY. NO PART HEREOF SHALL BE REPRODUCED, DISCLOSED, DISTRIBUTED, SOLD, PUBLISHED OR OTHERWISE USED IN ANY MANNER WITHOUT THE EXPRESS WRITTEN CONSENT OF ARCHITECTURE.

drawing title:
AV SINGLE LINE

drawing no.:

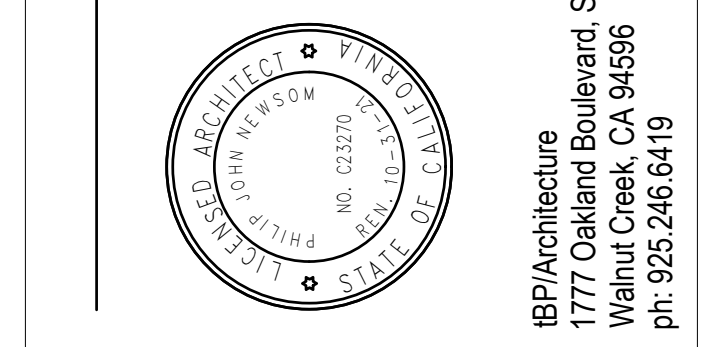
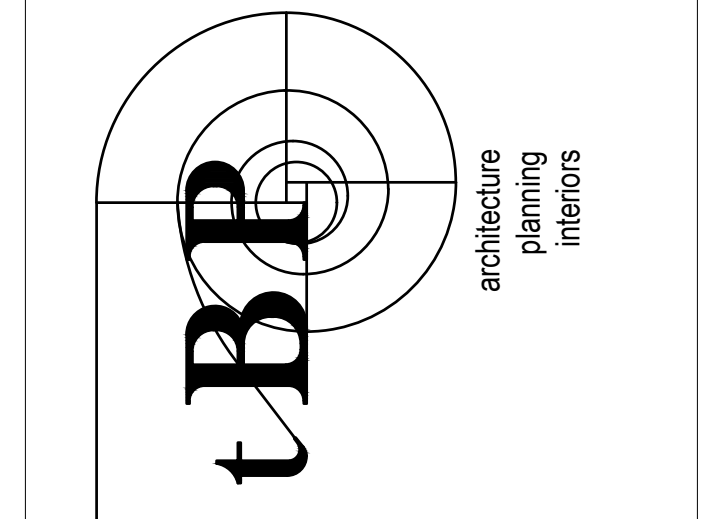
NONE AV506

drawing of



1 PIANO LAB RM950
SCALE: NONE

DSA Application #02-118286
DSA File #58-C1



AV SYSTEM CONSULTANT:
A+G Andrew Design Group, Inc.
A/V Consulting and Engineering
Andrew Design Group, Inc.
626-744-9358
adg@AndrewDesign.com
www.AndrewDesign.com

consultant

WOODLAND COMMUNITY COLLEGE
PERFORMING ARTS/
CULINARY SERVICES
FACILITY
2300 E. GIBSON RD., WOODLAND, CA 95776
YUBA COMMUNITY COLLEGE DISTRICT

owner

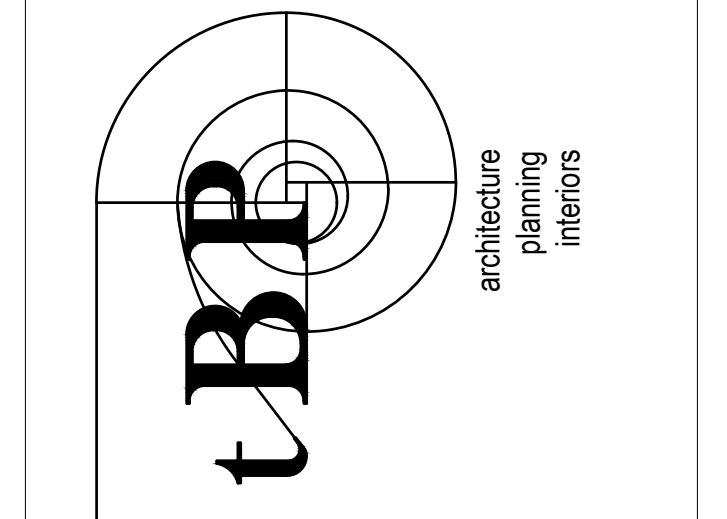
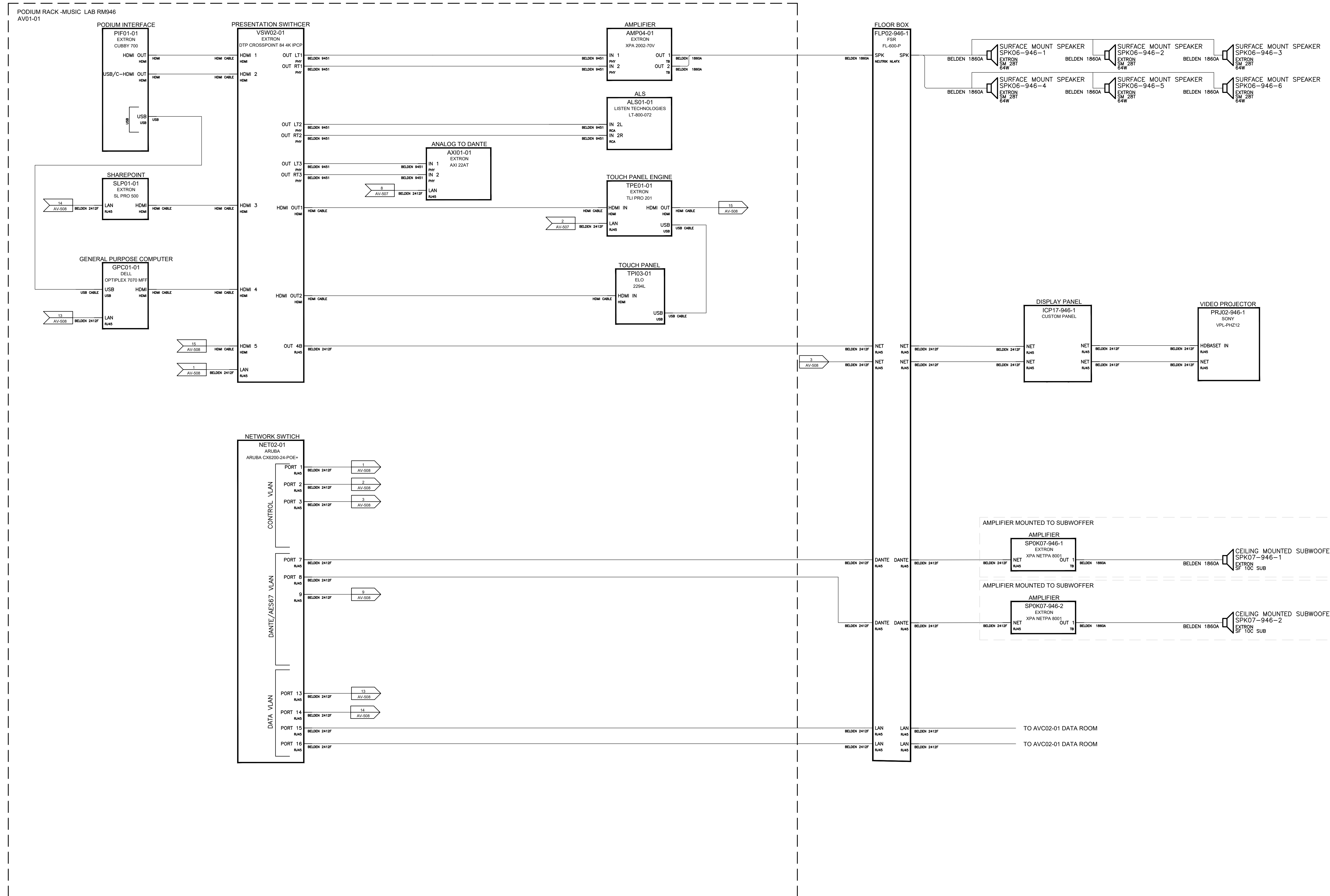
file name:	
drawn by:	checked by:
date:	Issue Date MAY 17, 2021
rev.	date: description:
	05/17/2021 BID SET
	12/23/2021 ADDENDUM #4
DELTA A17	12/12/2022 ASI 17
FFE	05/30/2023 FF&E UPDATE

THIS DRAWING AND THE DESIGN, SPECIFICATIONS, IDEAS AND OTHER INFORMATION CONTAINED HEREIN CONSTITUTE UNPUBLISHED WORK OF ARCHITECTURE AND SHALL REMAIN PROPERTY OF ARCHITECTURE IN PERPETUITY. NO PART THEREOF SHALL BE REPRODUCED, DISCLOSED, DISTRIBUTED, SOLD, PUBLISHED OR OTHERWISE USED IN ANY MANNER WITHOUT THE ADVANCED EXPRESS WRITTEN CONSENT OF ARCHITECTURE.

drawing title:
AV SINGLE LINE

drawing no.:

NONE AV507
drawing of



architecture
planning
interiors

1777 Oakland Boulevard, Suite 320
Walnut Creek, CA 94596
ph. 925.246.6419

AV SYSTEM CONSULTANT:
A+G Andrew Design Group, Inc.
A/V Consulting and Engineering
Andrew Design Group, Inc.
626-744-9358
adg@AndrewDesign.com
www.AndrewDesign.com

consultant

WOODLAND COMMUNITY COLLEGE
PERFORMING ARTS/
CULINARY SERVICES
FACILITY

2300 E. GIBSON RD., WOODLAND, CA 95776
YUBA COMMUNITY COLLEGE DISTRICT

owner

tBP project number: 22039.00

file name:

drawn by: checked by:

date: Issue Date MAY 17, 2021

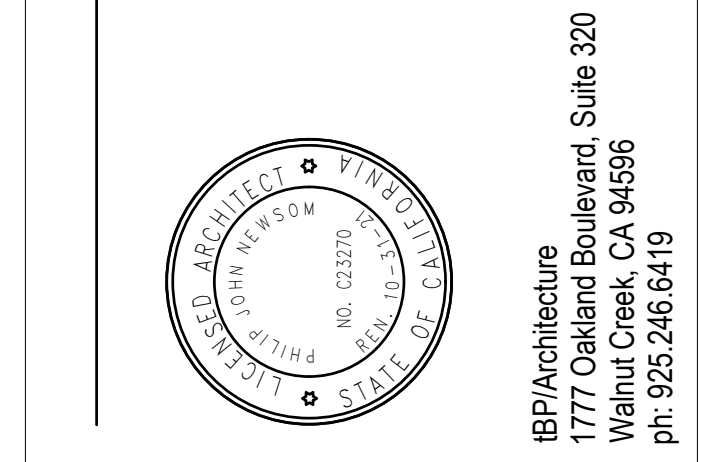
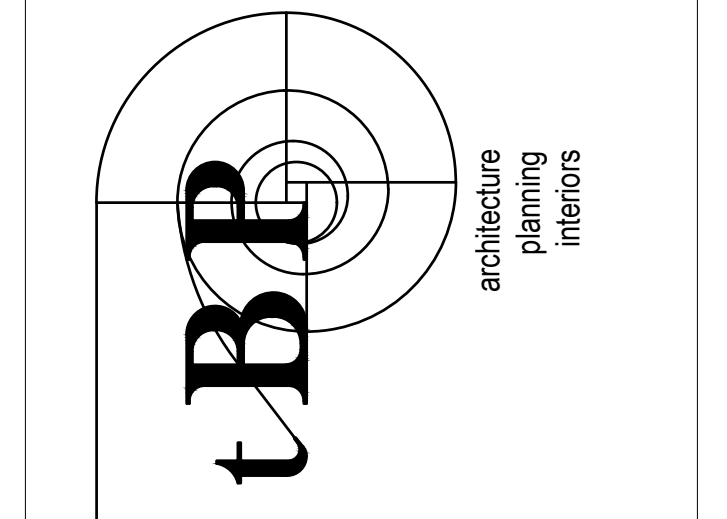
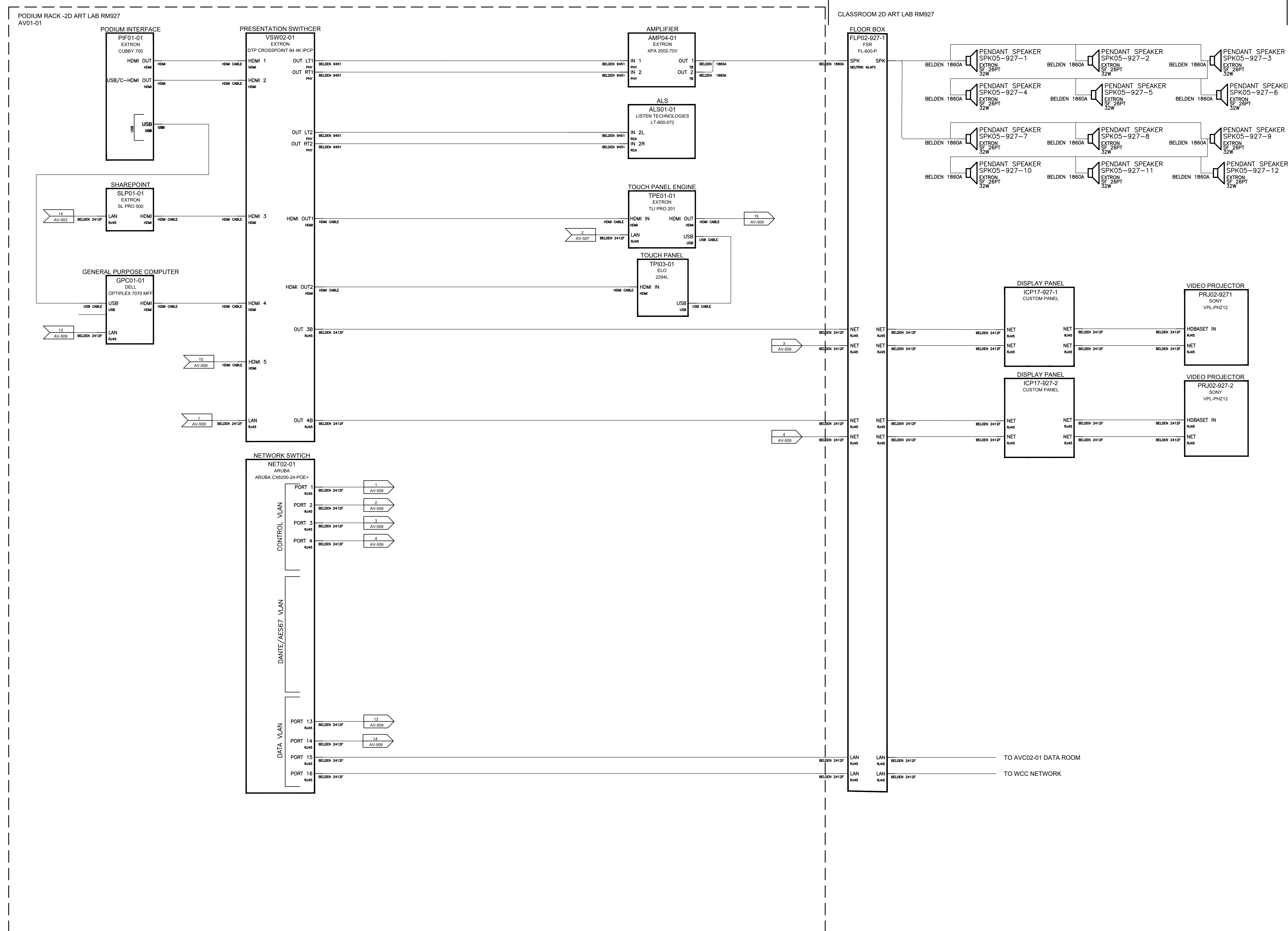
rev.	date:	description:
	05/17/2021	BID SET
	12/23/2021	ADDENDUM #4
	DELTA A17 12/12/2022	ASI 17
	FFE 05/30/2023	FF&E UPDATE

THIS DRAWING AND THE DESIGN, SPECIFICATIONS, IDEAS AND OTHER INFORMATION CONTAINED HEREIN CONSTITUTE UNPUBLISHED WORK OF ARCHITECTURE AND SHALL REMAIN PROPERTY OF ARCHITECTURE IN PROPRIETY. NO PART THEREOF SHALL BE REPRODUCED, COPIED, DISSEMINATED, SOLD, PUBLISHED OR OTHERWISE USED IN ANY MANNER WITHOUT THE EXPRESS WRITTEN CONSENT OF ARCHITECTURE.

drawing title:
AV SINGLE LINE

drawing no.:
NONE AV508

drawing of



AV SYSTEM CONSULTANT:
A+G Andrew Design Group, Inc.
A/V Consulting and Engineering
Andrew Design Group, Inc.
626-744-9358
adg@AndrewDesign.com
www.AndrewDesign.com

consultant

WOODLAND COMMUNITY COLLEGE
PERFORMING ARTS/
CULINARY SERVICES
FACILITY
2300 E. GIBSON RD., WOODLAND, CA 95776
YUBA COMMUNITY COLLEGE DISTRICT

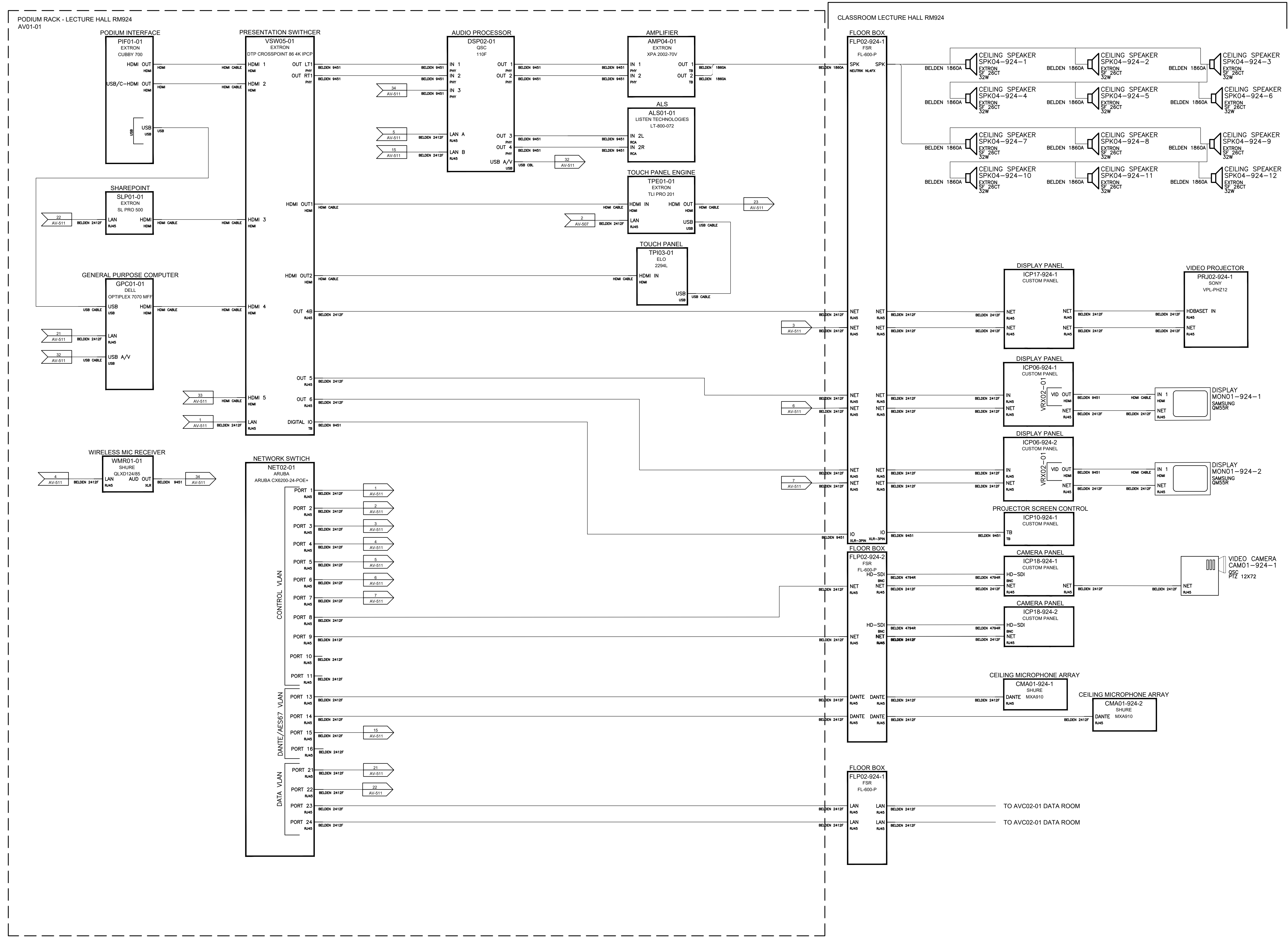
owner

file name:		
drawn by:	checked by:	
date:	Issue Date	
rev.	date	description:
	05/17/2021	BID SET
	12/23/2021	ADDENDUM #4
	DELTA A17 12/12/2022	ASI 17
	FFE 05/30/2023	FF&E UPDATE

THIS DRAWING AND THE DESIGN, SPECIFICATIONS, IDEAS AND OTHER INFORMATION CONTAINED HEREIN CONSTITUTE UNPUBLISHED WORKS OF ARCHITECTURE AND SHALL REMAIN PROPERTY OF ARCHITECTURE IN CONSULTATION. NO PART THEREOF SHALL BE REPRODUCED, COPIED, DISTRIBUTED, SOLD, PUBLISHED OR OTHERWISE USED IN ANY MANNER WITHOUT THE ADVANCED EXPRESS WRITTEN CONSENT OF ARCHITECTURE.

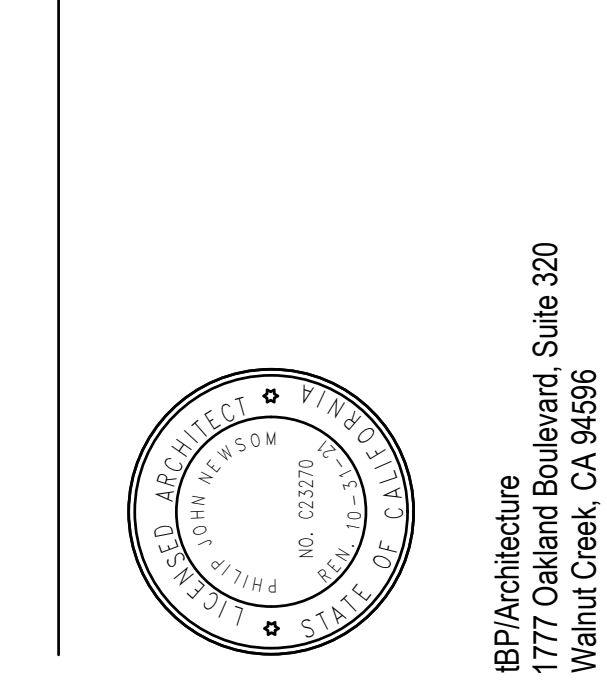
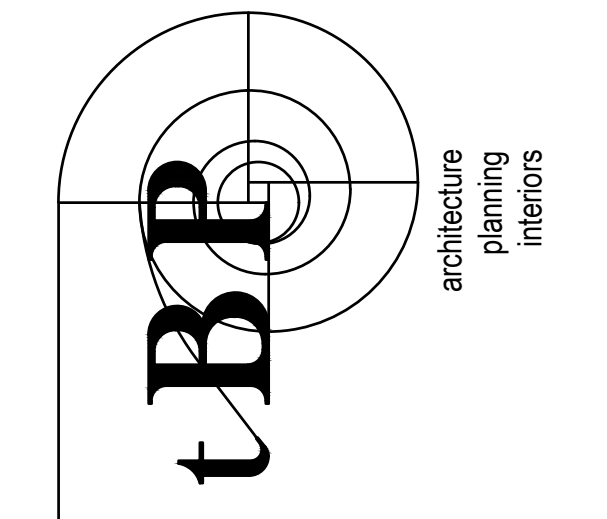
drawing title:
AV SINGLE LINE

drawing no.:



1 LECTURE HALL RM924
SCALE: NONE

DSA Application #02-118286
DSA File #58-C1



agency
architecture
planning
interiors
architect

IBP/Architecture
1777 Oakland Boulevard, Suite 320
Walnut Creek, CA 94596
ph. 925.246.6419

AV SYSTEM CONSULTANT:
Andrew Design Group, Inc.
A/G Consulting and Engineering
Andrew Design Group, Inc.
626-744-9258
adg@AndrewDesign.com
www.AndrewDesign.com

consultant
WOODLAND COMMUNITY COLLEGE
PERFORMING ARTS/
CULINARY SERVICES
FACILITY
2300 E. GIBSON RD., WOODLAND, CA 95776
YUBA COMMUNITY COLLEGE DISTRICT

owner

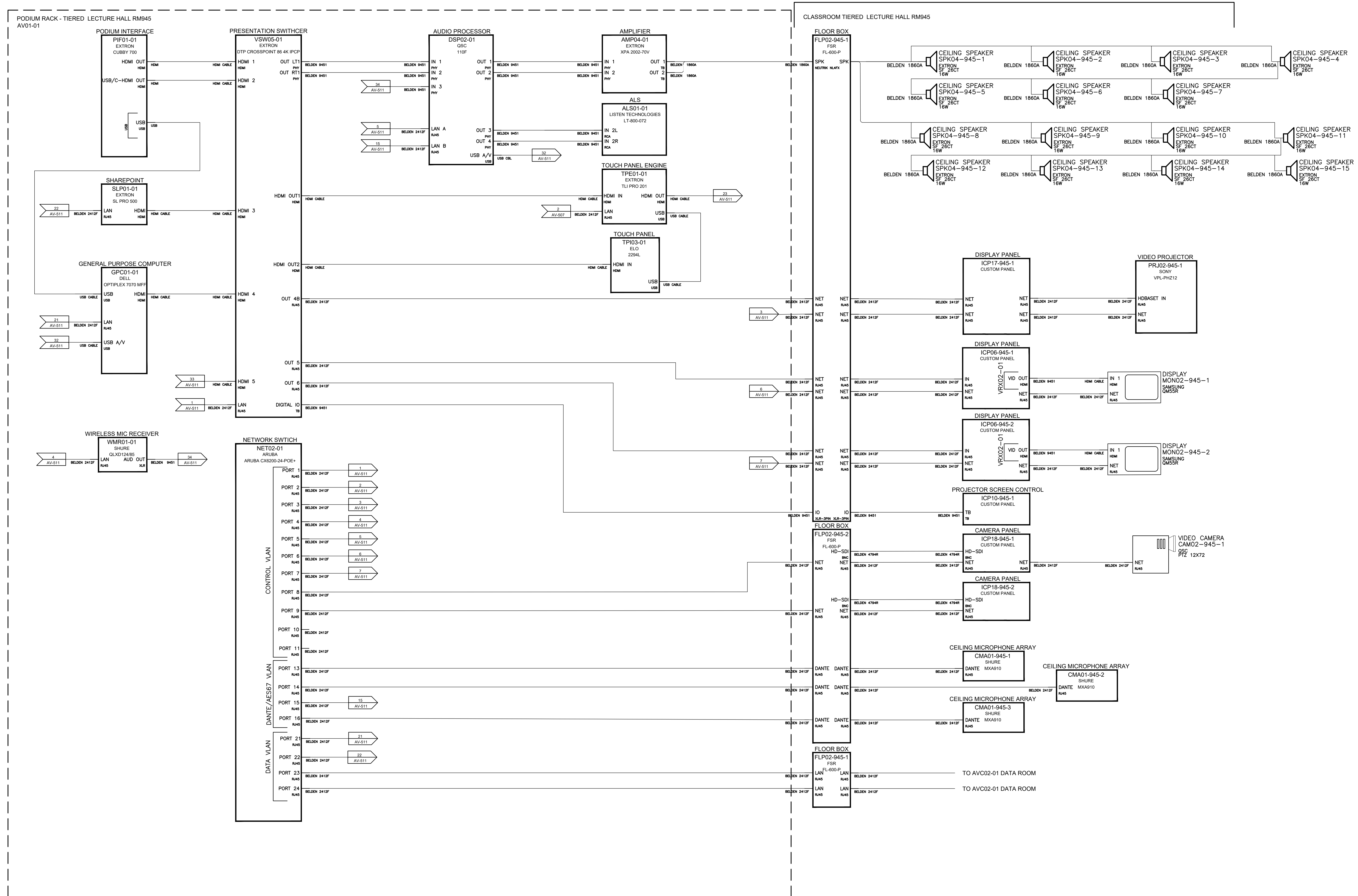
file name:	22039.00	
drawn by:	checked by:	
date:	Issue Date	MAY 17, 2021
rev.	date:	description:
	05/17/2021	BID SET
	12/23/2021	ADDENDUM #4
	DELTA A17 12/12/2022	ASI 17
	FFE 05/30/2023	FF&E UPDATE

THIS DRAWING AND THE DESIGN, SPECIFICATIONS, IDEAS AND OTHER INFORMATION CONTAINED HEREIN CONSTITUTE UNPUBLISHED WORKS OF ARCHITECTURE AND SHALL REMAIN PROPERTY OF ARCHITECTURE IN PROPRIETY. NO PART THEREOF SHALL BE REPRODUCED, DISCLOSED, DISTRIBUTED, SOLD, PUBLISHED OR OTHERWISE USED IN ANY MANNER WITHOUT THE EXPRESS WRITTEN CONSENT OF ARCHITECTURE.

drawing title:
AV SINGLE LINE

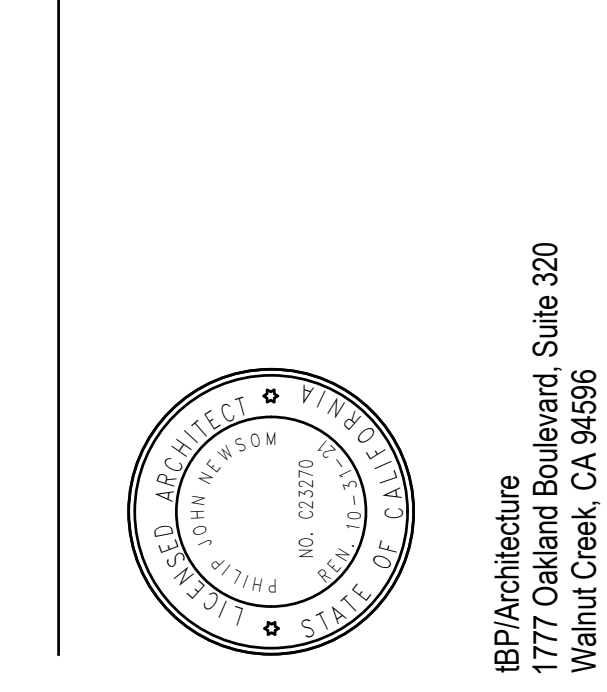
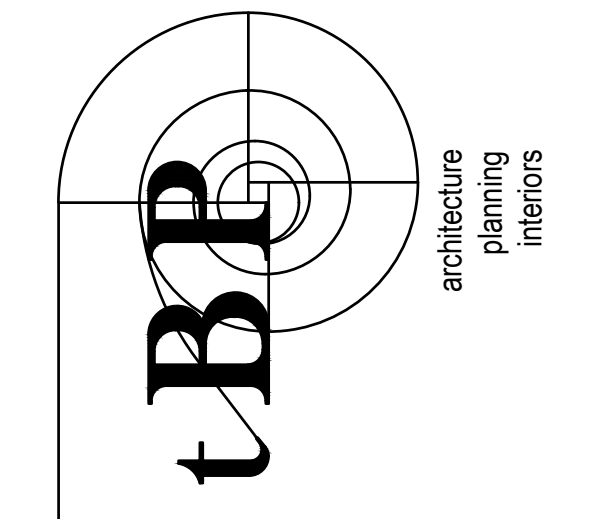
drawing no.:

NONE AV510
drawing of



1 TIERED LECTURE HALL RM945
SCALE: NONE

DSA Application #02-118286
DSA File #58-C1



IBP/Architecture
1777 Oakland Boulevard, Suite 320
Walnut Creek, CA 94596
ph. 925.246.6419

AV SYSTEM CONSULTANT:
A:G Andrew Design Group, Inc.
A/V Consulting and Engineering
Andrew Design Group, Inc.
626-744-8258
adg@AndrewDesign.com
www.AndrewDesign.com

consultant

**WOODLAND COMMUNITY COLLEGE
PERFORMING ARTS/
CULINARY SERVICES
FACILITY**
2300 E. GIBSON RD., WOODLAND, CA 95776
YUBA COMMUNITY COLLEGE DISTRICT

owner

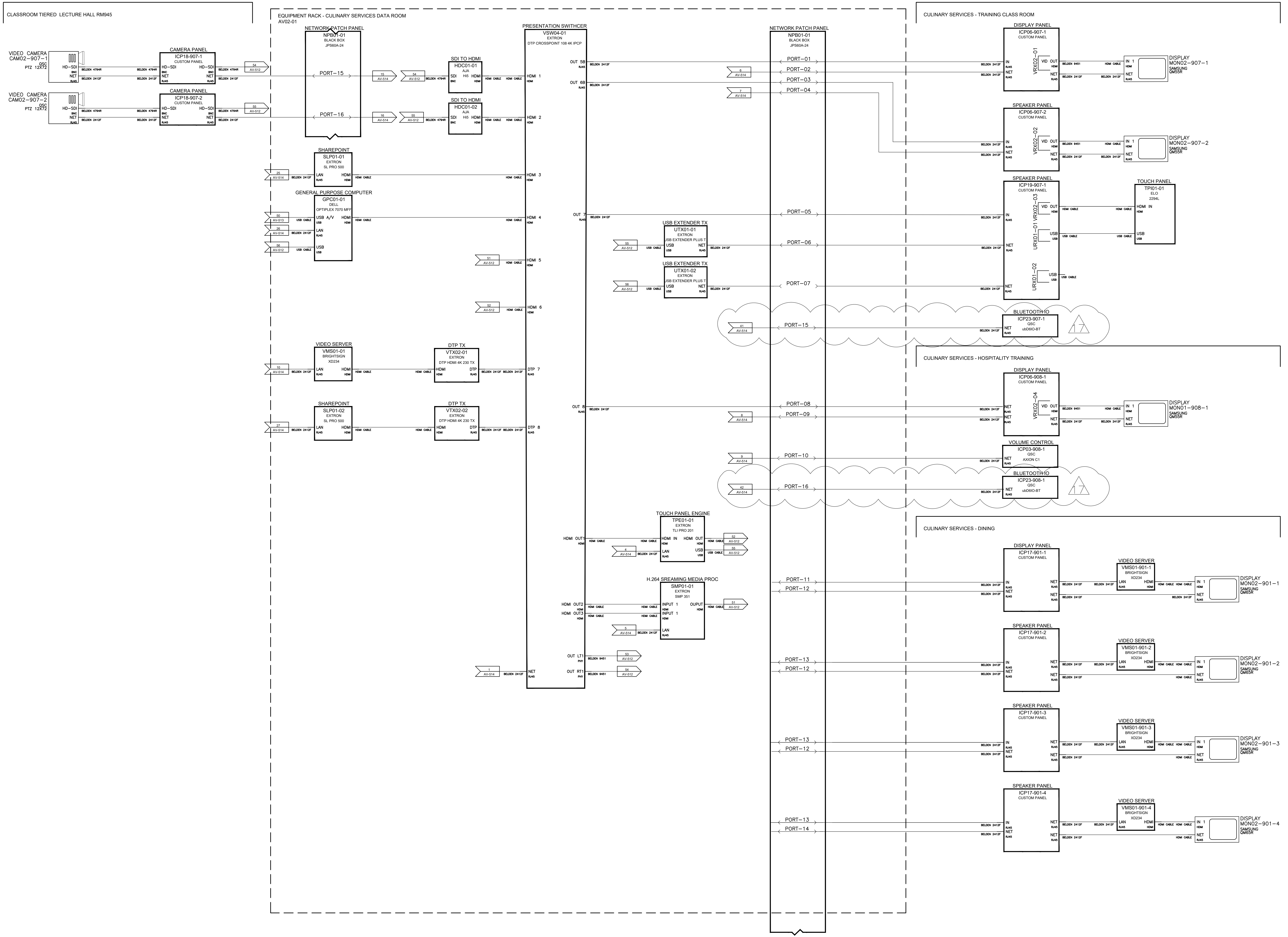
file name:	22039.00	
drawn by:	checked by:	
date:	Issue Date	MAY 17, 2021
rev.	date:	description:
	05/17/2021	BID SET
	12/23/2021	ADDENDUM #4
	DELTA A17 12/12/2022	ASI 17
	FFE	05/30/2023 FFE UPDATE

THIS DRAWING AND THE DESIGN, SPECIFICATIONS, IDEAS AND OTHER INFORMATION CONTAINED HEREIN CONSTITUTE UNPUBLISHED WORKS OF ARCHITECTURE AND SHALL REMAIN PROPERTY OF ARCHITECTURE IN PROPRIETY. NO PART THEREOF SHALL BE REPRODUCED, COPIED, DISTRIBUTED, SOLD, PUBLISHED OR OTHERWISE USED IN ANY MANNER WITHOUT THE ADVANCED EXPRESS WRITTEN CONSENT OF ARCHITECTURE.

drawing title:
AV SINGLE LINE

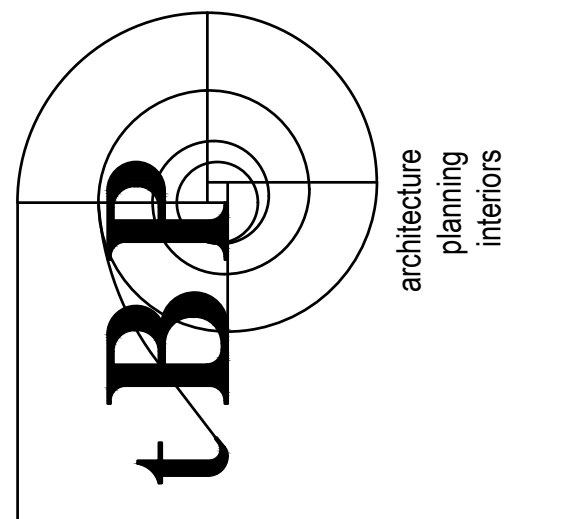
drawing no.:
NONE AV511

drawing of



1 INSTRUCTIONAL KITCHEN RM907
SCALE: NONE

DSA Application #02-118286
DSA File #58-C1



agency
architecture
planning
interiors
tBP
1777 Oakland Boulevard, Suite 320
Walnut Creek, CA 94596
ph. 925.246.6419
architect

AV SYSTEM CONSULTANT:
A+G
Andrew Design Group, Inc.
626-744-9358
adg@AndrewDesign.com
www.AndrewDesign.com

consultant

WOODLAND COMMUNITY COLLEGE
PERFORMING ARTS/
CULINARY SERVICES
FACILITY
2300 E. GIBSON RD., WOODLAND, CA 95776
YUBA COMMUNITY COLLEGE DISTRICT

owner

tBP project number: 22039.00

file name:

drawn by: checked by:

date: Issue Date MAY 17, 2021

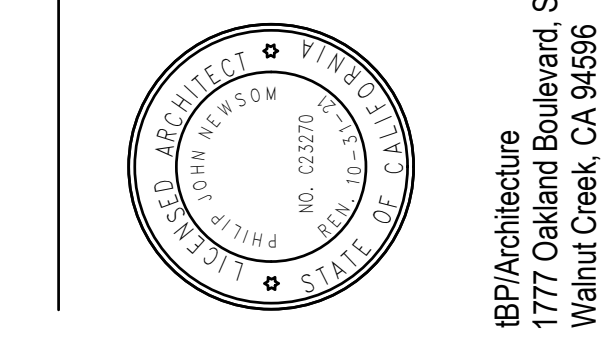
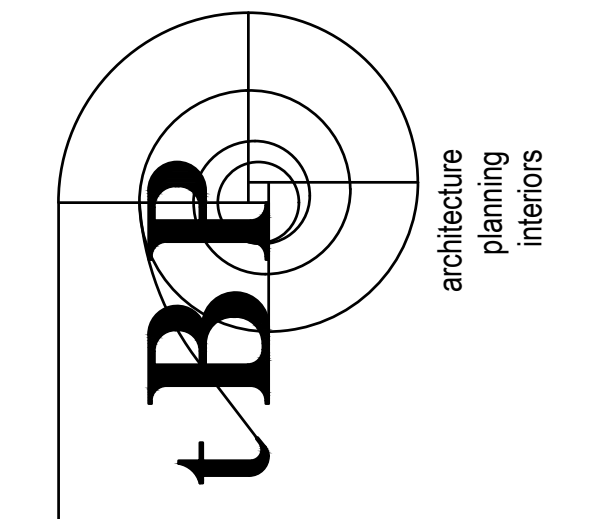
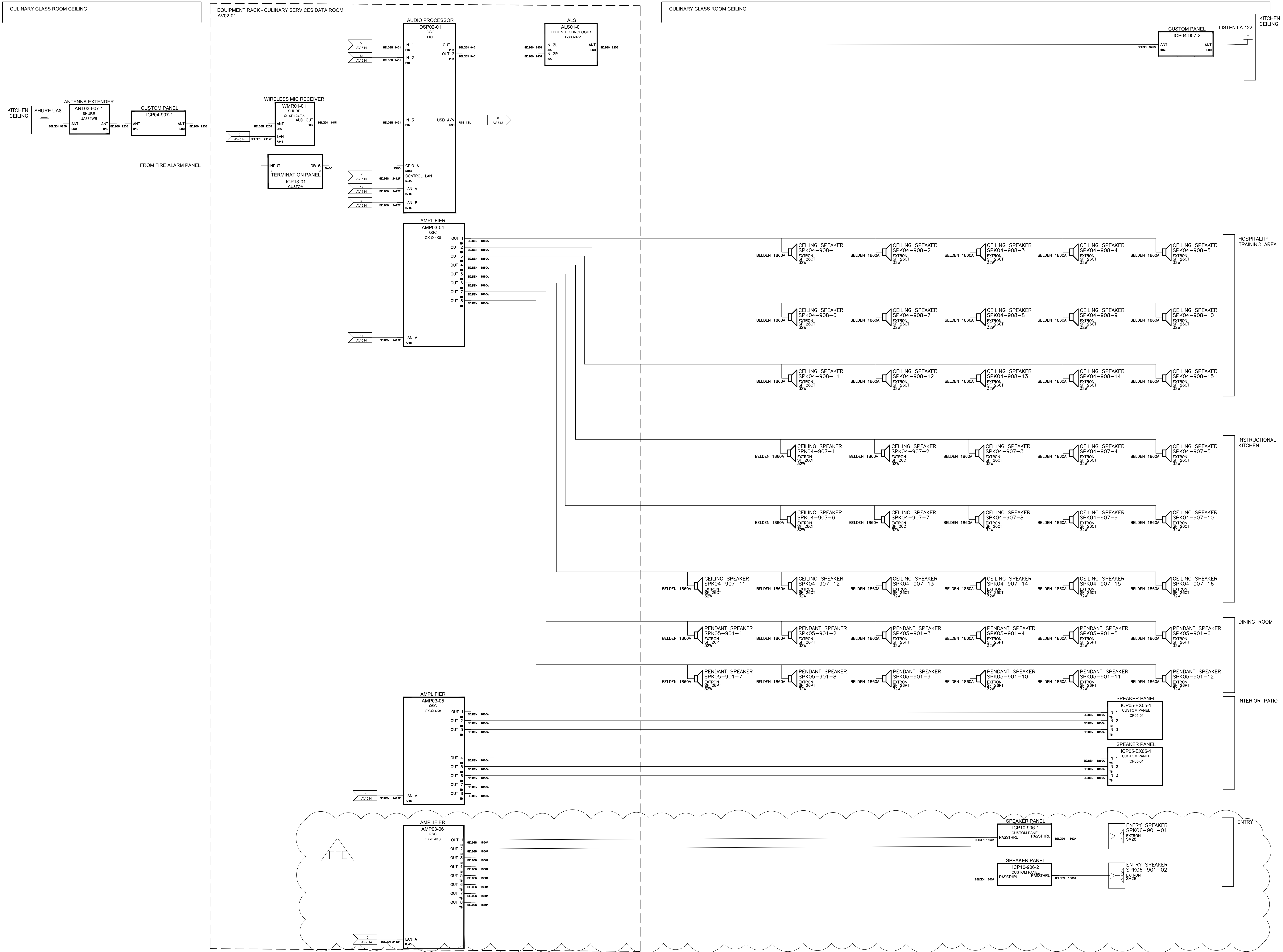
rev.	date:	description:
05/17/2021		BID SET
12/23/2021		ADDENDUM #4
DELTA A17 12/12/2022		ASI 17
FFE 05/30/2023		FF&E UPDATE

THIS DRAWING AND THE DESIGN, SPECIFICATIONS, IDEAS AND OTHER INFORMATION CONTAINED HEREIN CONSTITUTE UNPUBLISHED WORK OF ARCHITECTURE AND SHALL REMAIN PROPERTY OF ARCHITECTURE IN PERPETUITY. NO PART HEREOF SHALL BE REPRODUCED, COPIED, DISTRIBUTED, SOLD, PUBLISHED OR OTHERWISE USED IN ANY MANNER WITHOUT THE EXPRESS WRITTEN CONSENT OF ARCHITECTURE.

drawing title:
AV SINGLE LINE

drawing no.:

NONE AV512
drawing of



AV SYSTEM CONSULTANT:
A:G Andrew Design Group, Inc.
AV Consulting and Engineering
Andrew Design Group, Inc.
626-744-9358
adg@AndrewDesign.com
www.AndrewDesign.com

consultant

WOODLAND COMMUNITY COLLEGE
PERFORMING ARTS/
CULINARY SERVICES
FACILITY
2300 E. GIBSON RD., WOODLAND, CA 95776
YUBA COMMUNITY COLLEGE DISTRICT

owner

project number:	22039.00
file name:	
drawn by:	checked by:
date:	Issue Date MAY 17, 2021
rev.	date: description:
	05/17/2021 BID SET
	12/23/2021 ADDENDUM #4
	DELTA A17 12/12/2022 ASI 17
	FFE 05/30/2023 FFE UPDATE

THIS DRAWING AND THE DESIGN, SPECIFICATIONS, IDEAS AND OTHER INFORMATION CONTAINED HEREIN CONSTITUTE UNPUBLISHED WORK OF ARCHITECTURE AND SHALL REMAIN PROPERTY OF ARCHITECTURE IN PROPRIETY. NO PART HEREOF SHALL BE REPRODUCED, DISCLOSED, DISTRIBUTED, SOLD, PUBLISHED OR OTHERWISE USED IN ANY MANNER WITHOUT THE EXPRESS WRITTEN CONSENT OF ARCHITECTURE.

drawing title:
AV SINGLE LINE

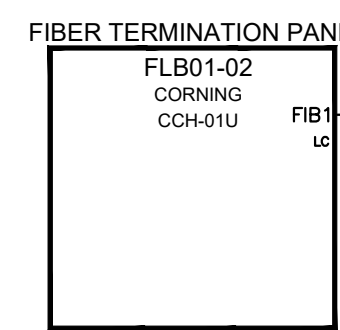
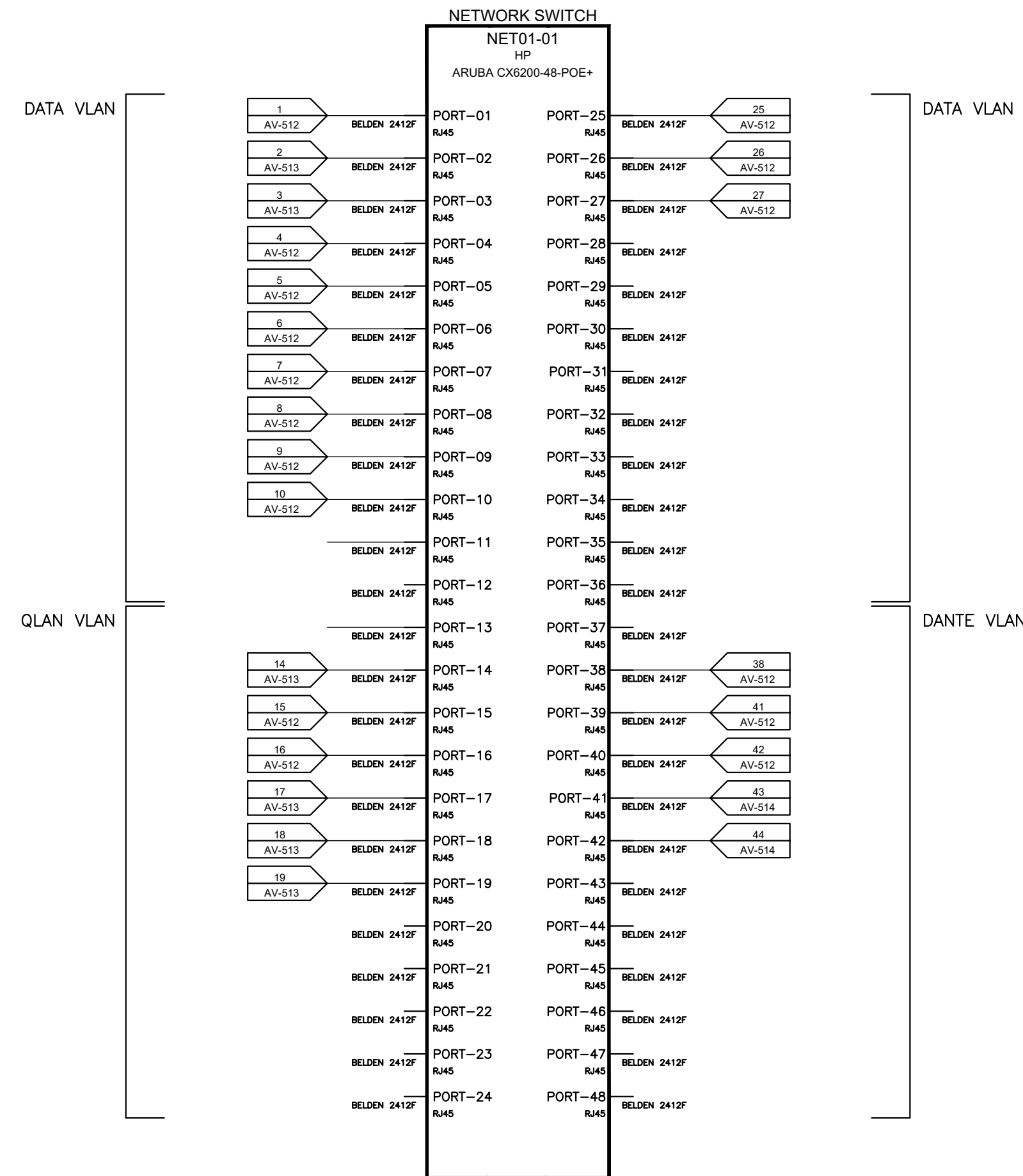
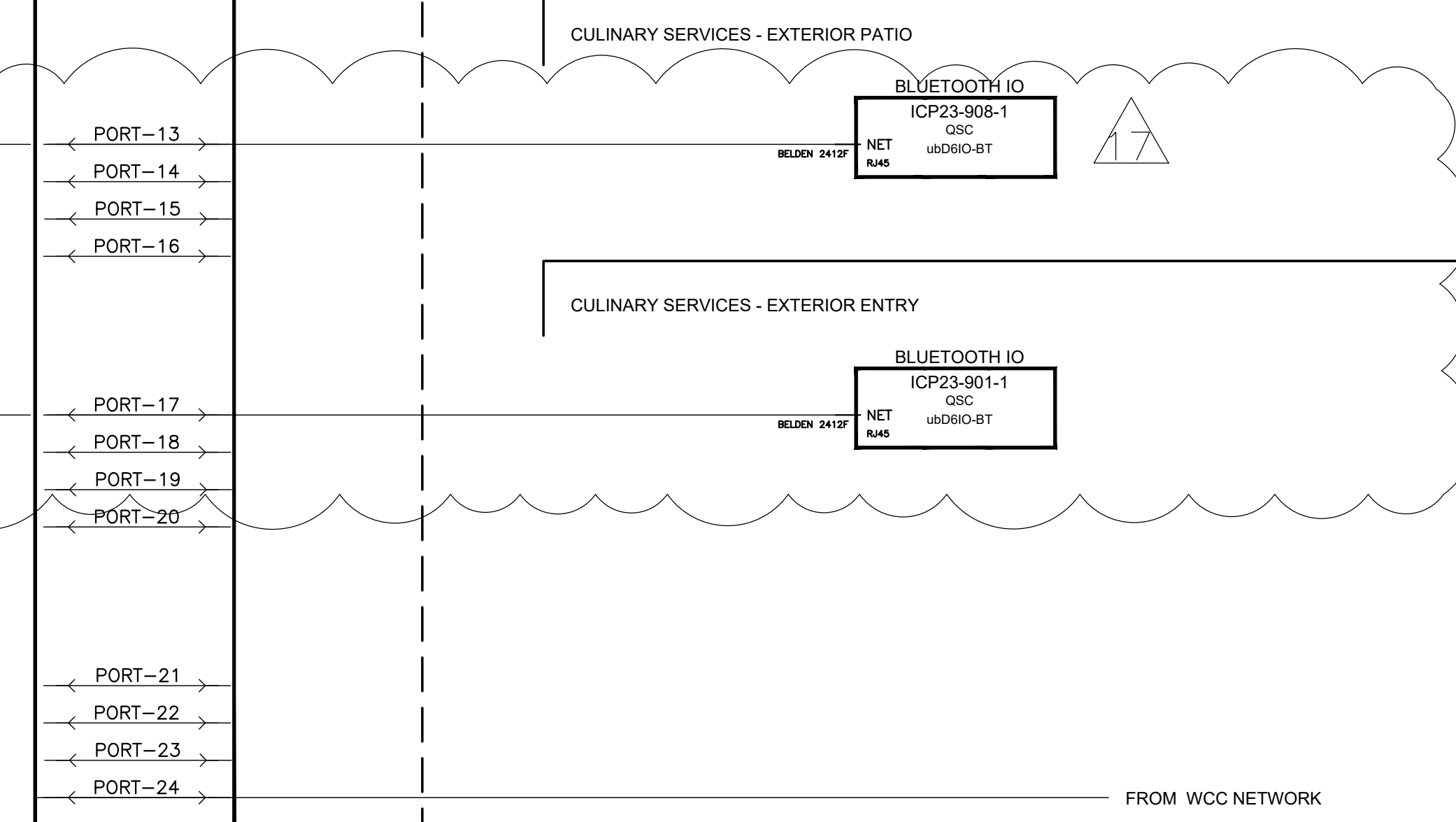
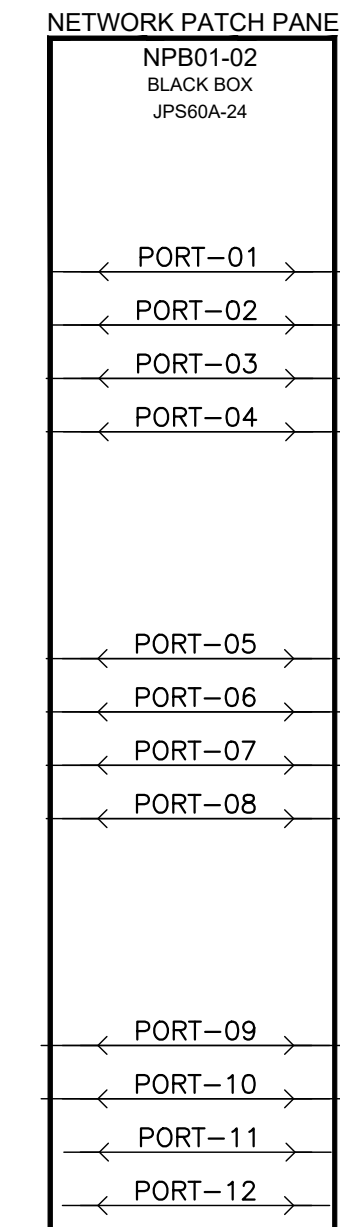
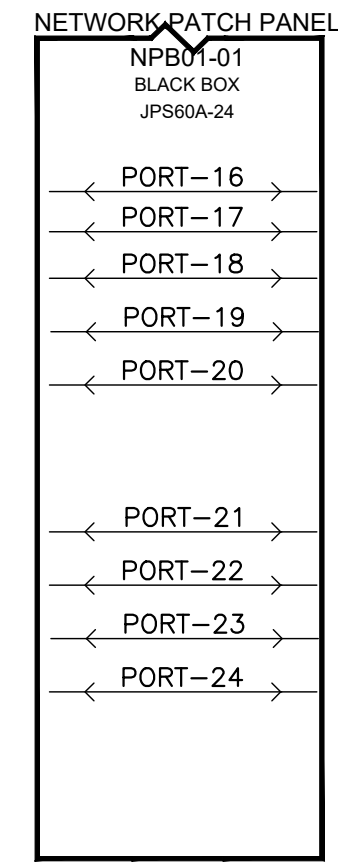
drawing no.:

NONE AV513

drawing of

EQUIPMENT RACK - CULINARY SERVICES DATA ROOM
AV02-01

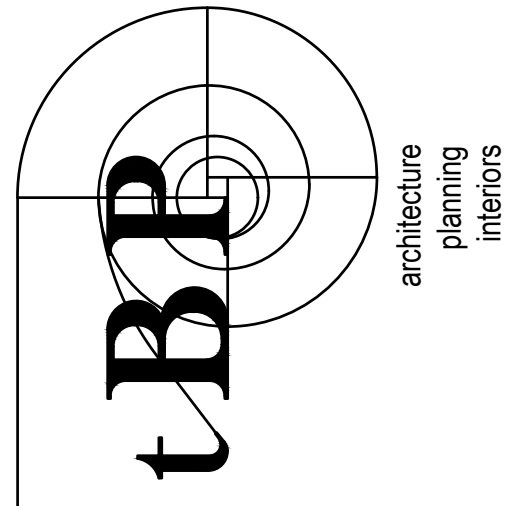
CULINARY CLASS ROOM CEILING



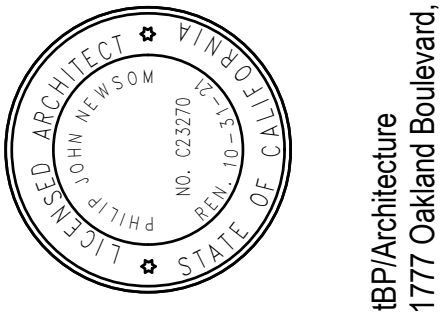
AVR01-02 EQUIPMENT RACK THEATER BOOTH

DSA Application #02-118286
DSA File #58-C1

agency



architecture
planning
interiors



IBP/Architecture
1777 Oakland Boulevard, Suite 320
Walnut Creek, CA 94596
ph. 925.246.6419

architect

AV SYSTEM CONSULTANT:



Andrew Design Group, Inc.
626-744-9358
adg@AndrewDesign.com
www.AndrewDesign.com

consultant

WOODLAND COMMUNITY COLLEGE
PERFORMING ARTS/
CULINARY SERVICES
FACILITY

2300 E. GIBSON RD., WOODLAND, CA 95776

YUBA COMMUNITY COLLEGE DISTRICT

owner

tBP project number: 22039.00

file name:

drawn by: checked by:

date: Issue Date MAY 17, 2021

rev. date: description:

05/17/2021 BID SET

12/23/2021 ADDENDUM #4

DELTA A17 12/12/2022 ASI 17

FFE 05/30/2023 F&E UPDATE

THIS DRAWING AND THE DESIGN, SPECIFICATIONS, IDEAS AND OTHER INFORMATION CONTAINED HEREIN CONSTITUTE UNPUBLISHED WORK OF ARCHITECTURE AND SHALL REMAIN PROPERTY OF ARCHITECTURE IN PERPETUITY. NO PART THEREOF SHALL BE REPRODUCED, DISCLOSED, DISTRIBUTED, COPIED, PUBLISHED OR OTHERWISE USED IN ANY MANNER WITHOUT THE EXPRESS WRITTEN CONSENT OF ARCHITECTURE.

drawing title:

AV SINGLE LINE

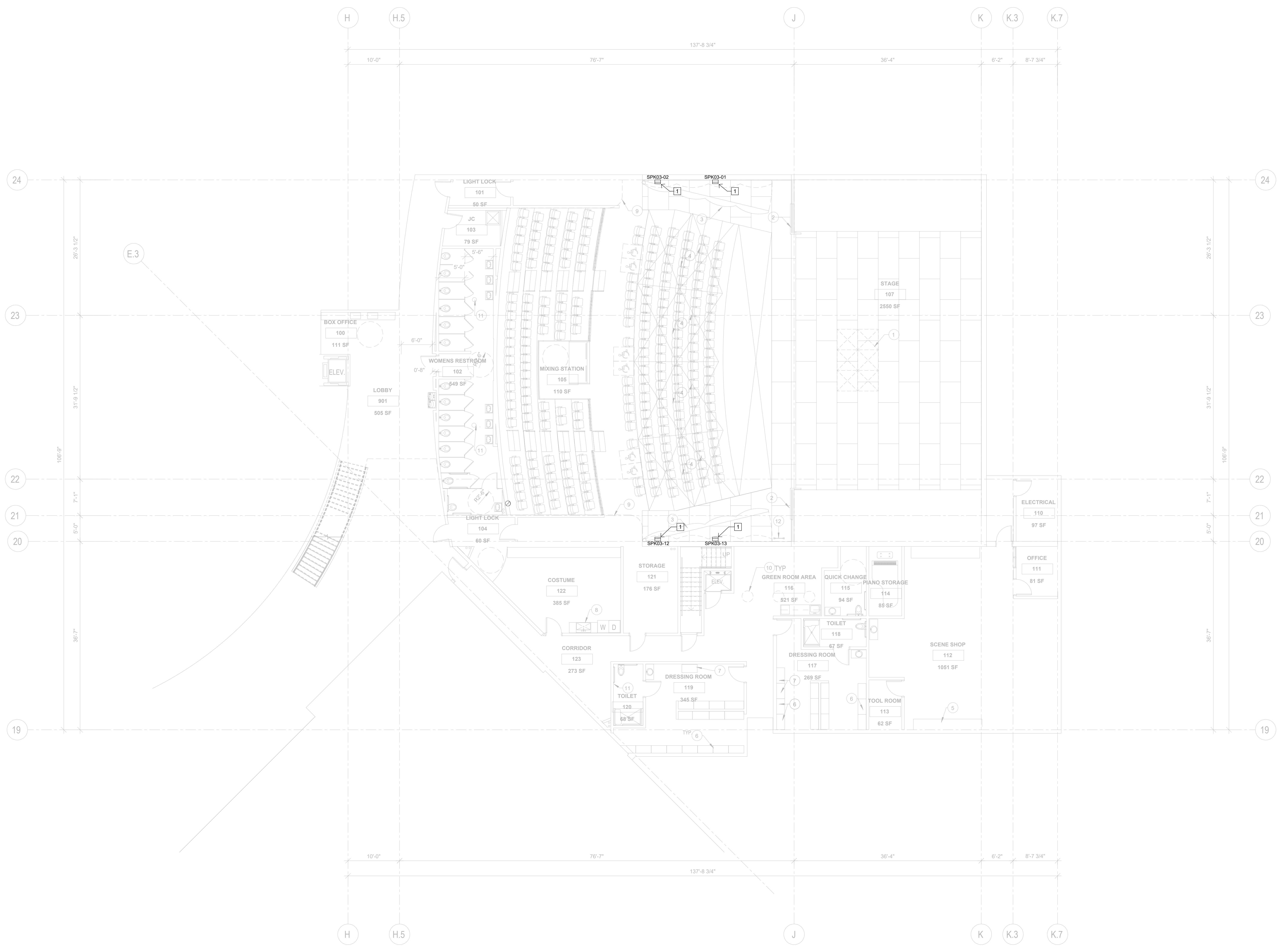
drawing no.:

NONE AV514

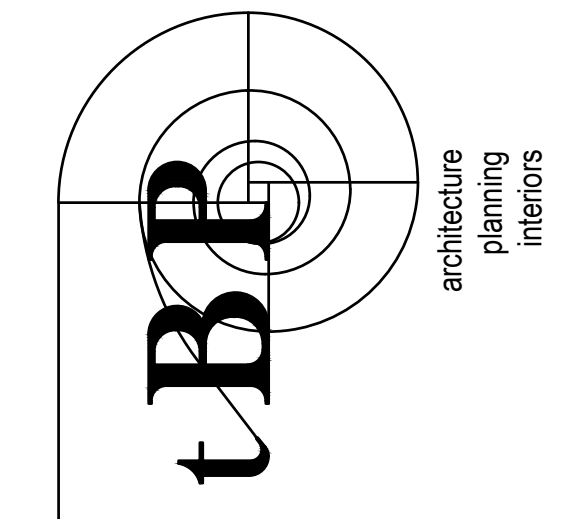
drawing of

SHEET NOTES:

- 1 FUTURE 4 X JBL 8320 CINEMA SURROUND SPEAKERS MOUNTED ON WALL 8' ABOVE SEATING STAND FLOOR HEIGHT. SEE 2/AV604. PROVIDE CABLE AND COVER PLATE ONLY.
2. SEE 7/AV616 FOR MOUNTING DETAILS



DSA Application #02-118286
DSA File #58-C1



architect
tBP architecture
planning
interiors
1777 Oakland Boulevard, Suite 320
Walnut Creek, CA 94596
ph. 925.246.6419



AV SYSTEM CONSULTANT:
Andrew Design Group, Inc.
AV Consulting and Engineering
626-744-9258
adg@AndrewDesign.com
www.AndrewDesign.com

WOODLAND COMMUNITY COLLEGE
PERFORMING ARTS/
CULINARY SERVICES
FACILITY
2300 E. GIBSON RD., WOODLAND, CA 95776
YUBA COMMUNITY COLLEGE DISTRICT

tBP project number: 22039.00

file name:		
drawn by:	checked by:	
date:	Issue Date	
05/17/2021	MAY 17, 2021	
rev.	date:	description:
	12/23/2021	BID SET
	12/23/2021	ADDENDUM #4
	DELTA A17 12/12/2022	ASI 17
	FFE	05/30/2023 F&E UPDATE

THIS DRAWING AND THE DESIGN, SPECIFICATIONS, IDEAS AND OTHER INFORMATION CONTAINED HEREIN CONSTITUTE UNPUBLISHED WORK OF ARCHITECTURE AND SHALL REMAIN PROPERTY OF ARCHITECTURE IN PERPETUITY. NO PART THEREOF SHALL BE REPRODUCED, DISCLOSED, DISTRIBUTED, COPIED, PUBLISHED OR OTHERWISE USED IN ANY MANNER WITHOUT THE ADVANCED EXPRESS WRITTEN CONSENT OF ARCHITECTURE.

drawing title:
AV SPEAKER PLAN 1ST FLOOR

drawing no.:
AV-601

drawing of

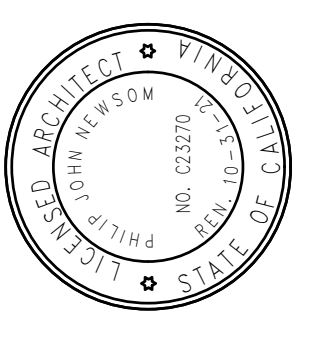
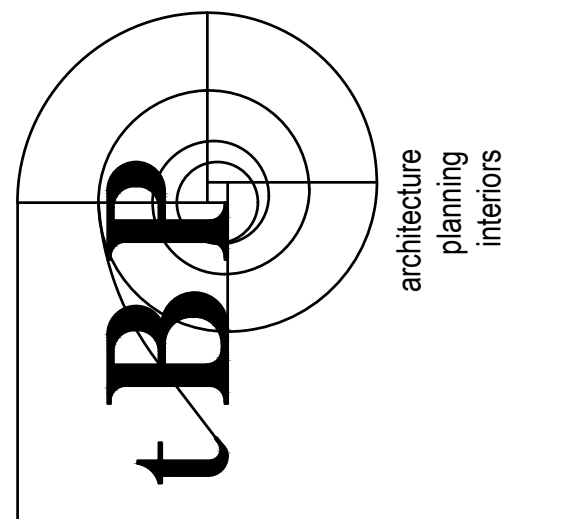
1 PERFORMANCE LOUDSPEAKER PLAN
SCALE: 1/8"=1'-0"

SHEET NOTES:

- 1 FUTURE 11 X JBL 8320 CINEMA SURROUND SPEAKERS MOUNTED ON WALL 8' ABOVE SEATING STAND FLOOR HEIGHT. SEE AV606. PROVIDE CABLE AND COVER PLATE ONLY.
2. SEE 7/AV616 FOR MOUNTING DETAILS

DSA Application #02-118286
 DSA File #58-C1

agency



tBP/Architecture
 1777 Oakland Boulevard, Suite 320
 Walnut Creek, CA 94596
 ph. 925.246.6419

architect



Andrew Design Group, Inc.
 626-744-6266
 adg@AndrewDesign.com
 www.AndrewDesign.com

consultant

WOODLAND COMMUNITY COLLEGE
 PERFORMING ARTS/
 CULINARY SERVICES
 FACILITY
 2300 E. GIBSON RD., WOODLAND, CA 95776
 YUBA COMMUNITY COLLEGE DISTRICT

owner

tBP project number: 22039.00

file name:

drawn by: checked by:

date: Issue Date MAY 17, 2021

rev. date: description:

05/17/2021 BID SET

12/23/2021 ADDENDUM #4

DELTA A17 12/12/2022 ASI 17

FFE 05/30/2023 FF&E UPDATE

THIS DRAWING AND THE DESIGN, SPECIFICATIONS, IDEAS AND OTHER INFORMATION CONTAINED HEREIN CONSTITUTE UNPUBLISHED WORK OF ARCHITECTURE AND SHALL REMAIN PROPERTY OF ARCHITECTURE IN PERPETUITY. NO PART THEREOF SHALL BE REPRODUCED, DISCLOSED, DISTRIBUTED, COPIED, PUBLISHED OR OTHERWISE USED IN ANY MANNER WITHOUT THE EXPRESS WRITTEN CONSENT OF ARCHITECTURE.

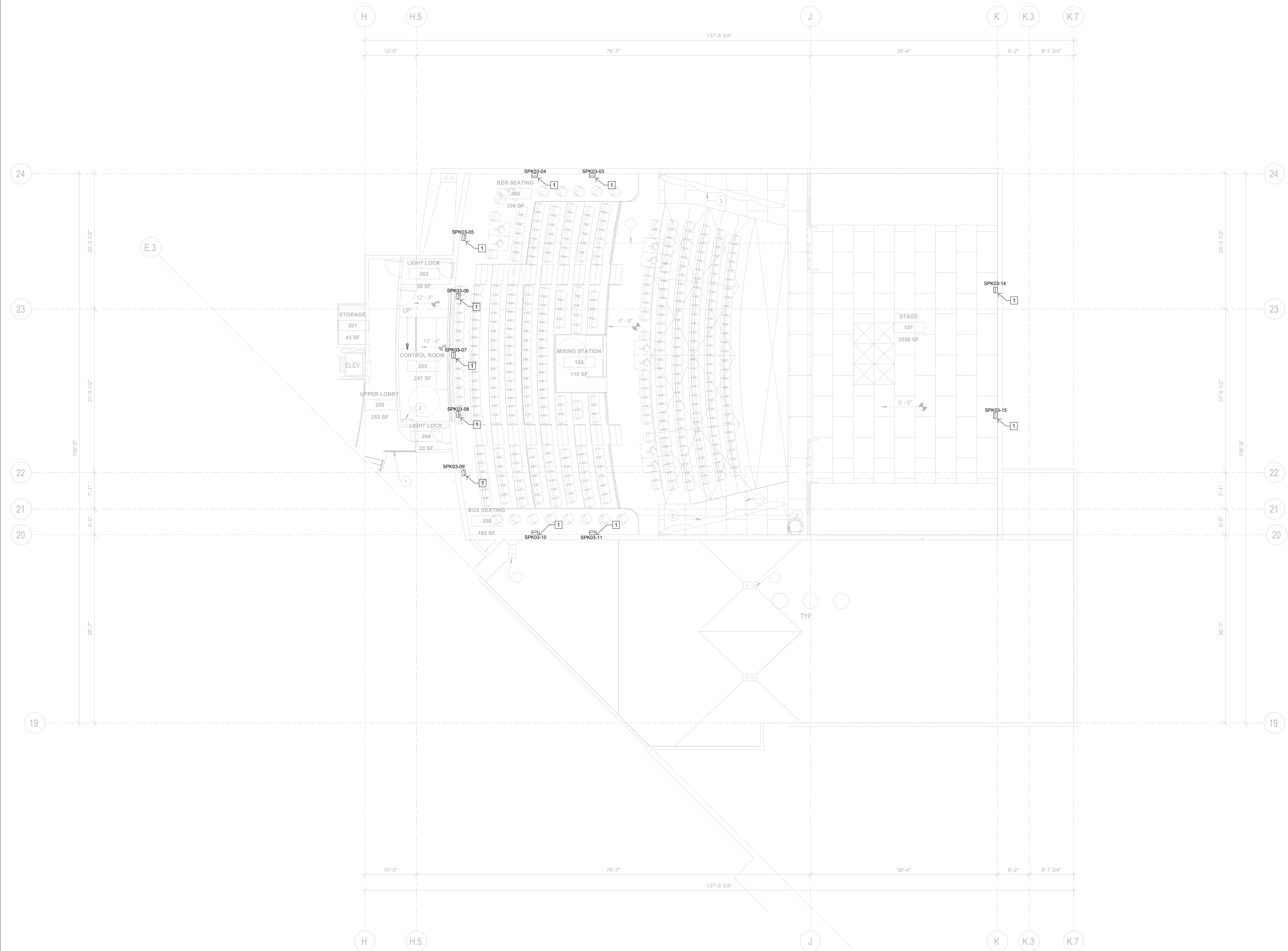
drawing title:

AV SPEAKER PLAN 2ND FLOOR

drawing no.:

AV-602

drawing of



1 PERFORMANCE LOUDSPEAKER PLAN
 SCALE: 1/8"=1'-0"

SHEET NOTES:

- 1 1 X L-ACOUSTICS A15 FOCUS
2 X L-ACOUSTICS A15 WIDE
1 X L-ACOUSTICS A15 BUMP RIGGING FRAME

2 X L-ACOUSTICS KS21 SUBWOOFERS
1 X L-ACOUSTICS A15 BUMP RIGGING FRAME

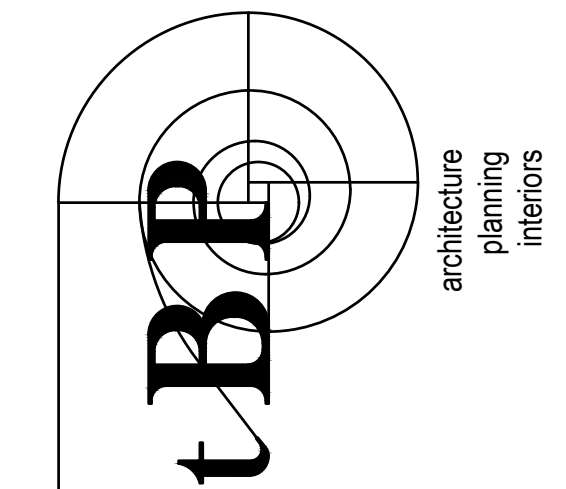
SUSPENSION RIGGED FROM CUSTOM RIGGING POINTS. SEE 3/AV616
- 2 2 X L-ACOUSTICS A15 WIDE
1 X L-ACOUSTICS A15 BUMP RIGGING FRAME

SUSPENSION RIGGED FROM CEILING CUSTOM RIGGING POINTS. SEE 5/AV616
- 3 1 X L-ACOUSTICS A15 FOCUS
2 X L-ACOUSTICS A15 WIDE
1 X L-ACOUSTICS A15 BUMP RIGGING FRAME

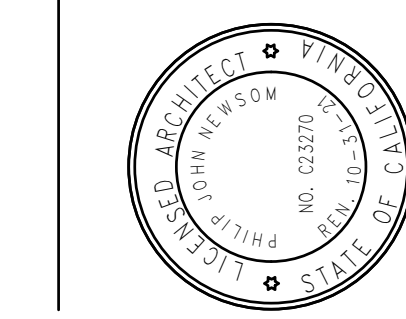
2 X L-ACOUSTICS KS21 SUBWOOFERS
1 X L-ACOUSTICS A15 BUMP RIGGING FRAME

SUSPENSION RIGGED FROM CEILING CUSTOM RIGGING POINTS. SEE 3/AV616

DSA Application #02-118286
DSA File #58-C1



tBP
architecture
planning
interiors



AV SYSTEM CONSULTANT:
A+G
Andrew Design Group, Inc.
A/V Consulting and Engineering
Andrew Design Group, Inc.
626-744-8358
adg@AndrewDesign.com
www.AndrewDesign.com

architect

WOODLAND COMMUNITY COLLEGE
PERFORMING ARTS/
CULINARY SERVICES
FACILITY
2300 E. GIBSON RD, WOODLAND, CA 95776
YUBA COMMUNITY COLLEGE DISTRICT

owner

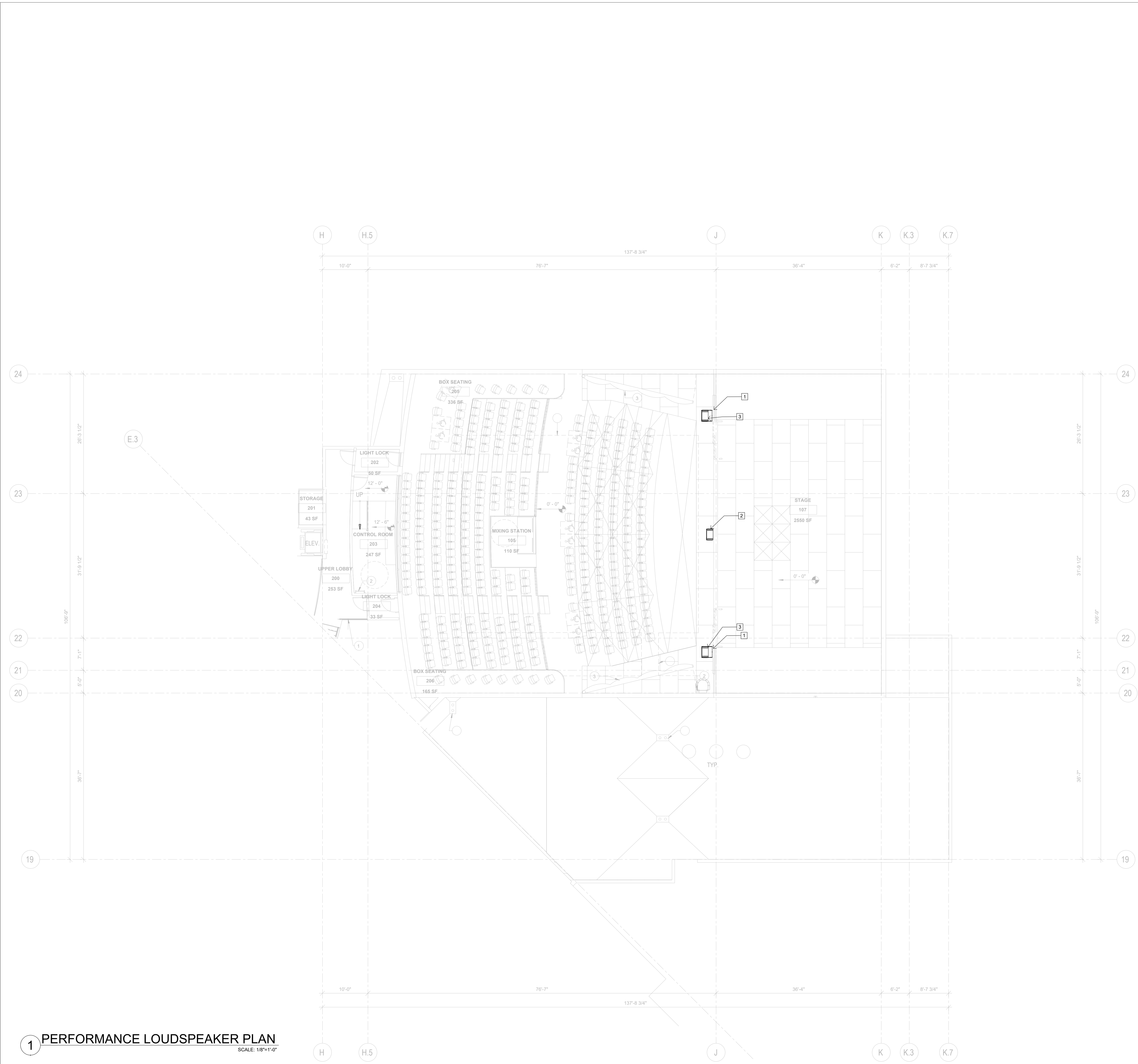
tBP project number: 22039.00	
file name:	
drawn by:	checked by:
date: Issue Date	MAY 17, 2021
rev.	date: description:
	05/17/2021 BID SET
	12/23/2021 ADDENDUM #4
	DELTA A17 12/12/2022 ASI 17
	FFE 05/30/2023 FF&E UPDATE

THIS DRAWING AND THE DESIGN, SPECIFICATIONS, IDEAS AND OTHER INFORMATION CONTAINED HEREIN CONSTITUTE UNPUBLISHED WORK OF ARCHITECTURE AND SHALL REMAIN PROPERTY OF ARCHITECTURE IN PERPETUITY. NO PART HEREOF SHALL BE REPRODUCED, DISCLOSED, DISTRIBUTED, SOLD, PUBLISHED OR OTHERWISE USED IN ANY MANNER WITHOUT THE ADVANCED EXPRESS WRITTEN CONSENT OF ARCHITECTURE.

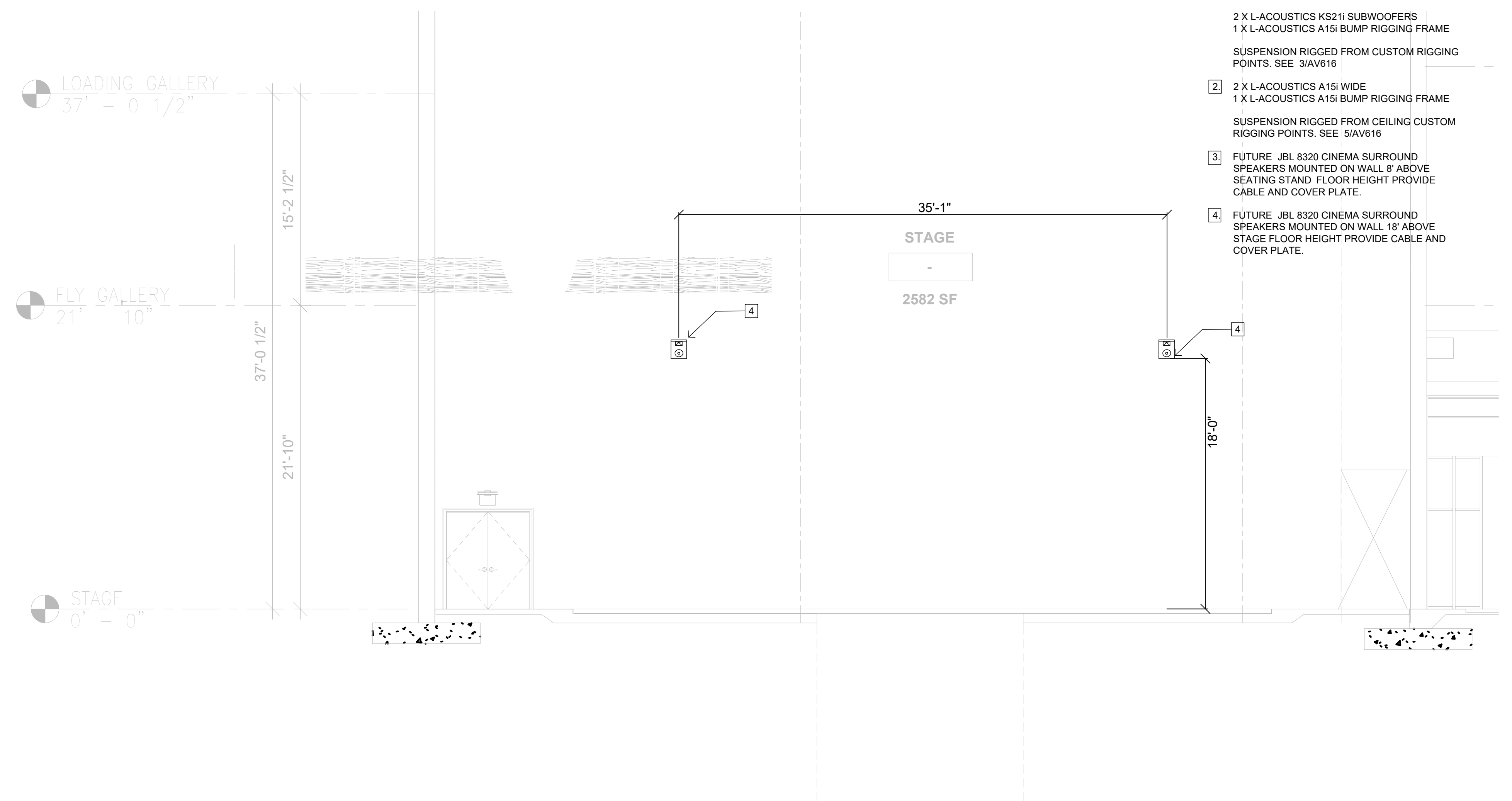
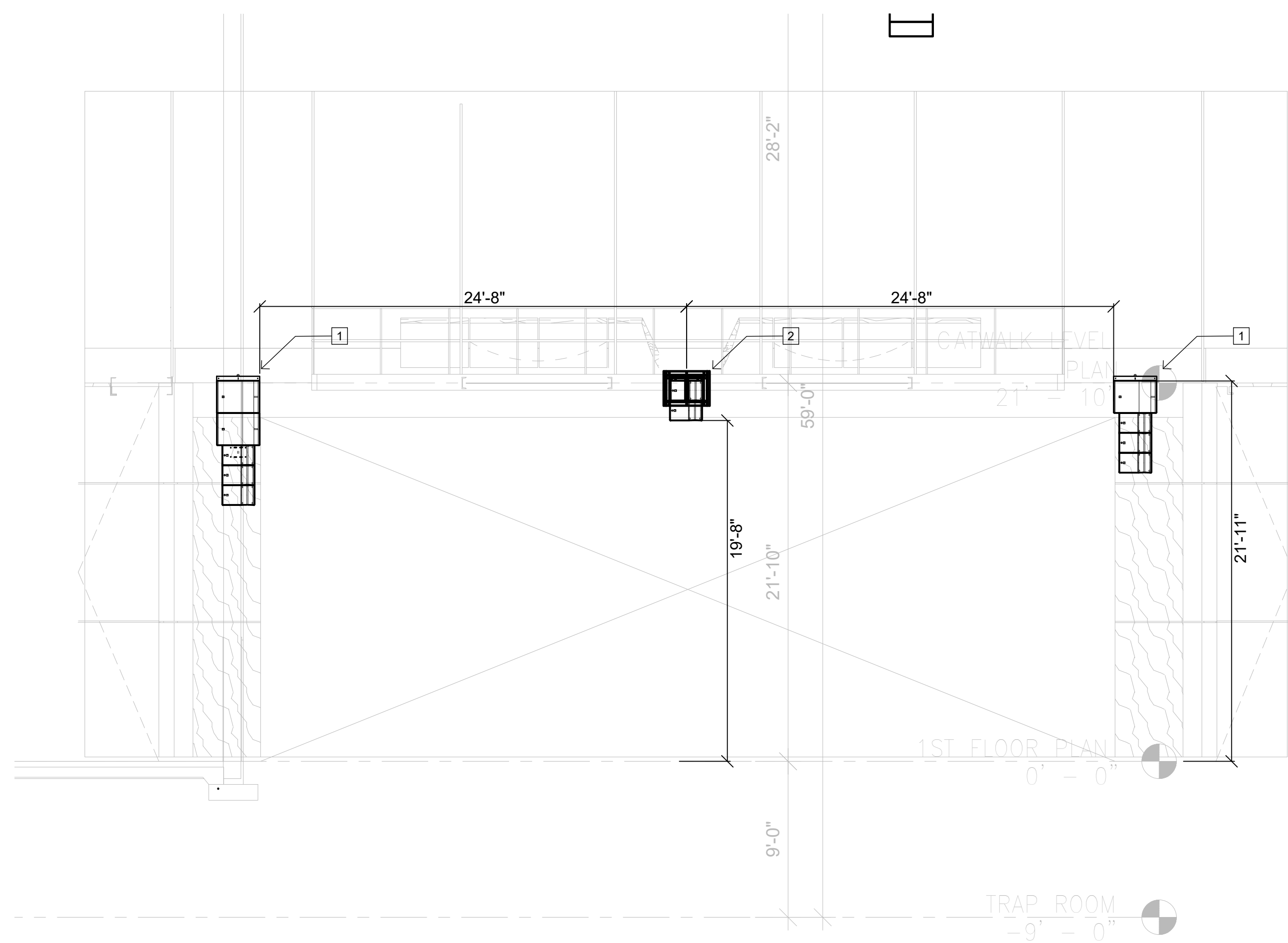
drawing title:
AV MAIN SPEAKER PLAN
2nd FLOOR

drawing no.:
AV-603

drawing of



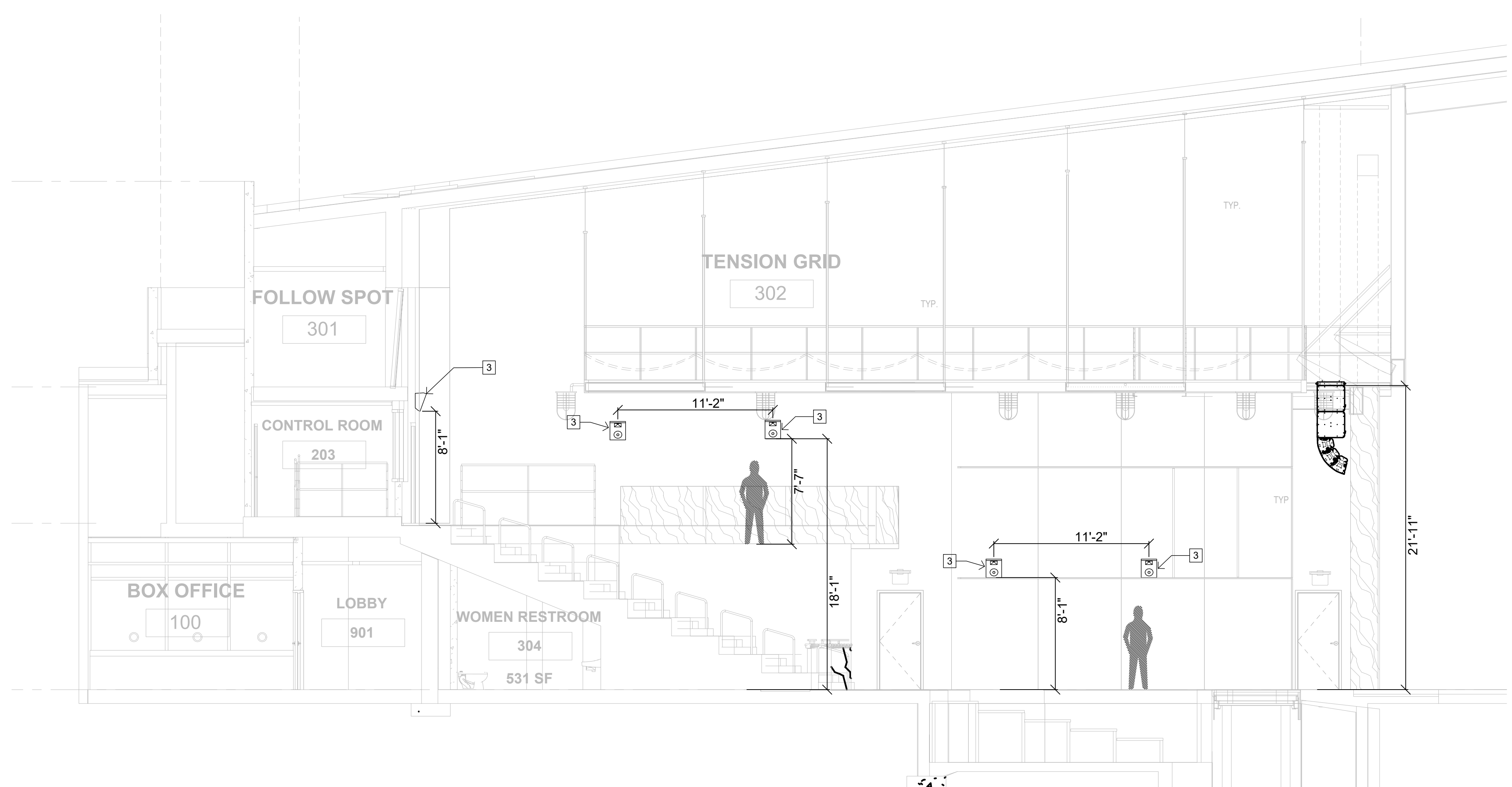
1 PERFORMANCE LOUDSPEAKER PLAN
SCALE: 1/8"=1'-0"



- SHEET NOTES:
- 1 X L-ACOUSTICS A15 FOCUS
2 X L-ACOUSTICS A15 WIDE
1 X L-ACOUSTICS A15 BUMP RIGGING FRAME
SUSPENSION RIGGED FROM CUSTOM RIGGING POINTS. SEE 3/AV616
 - 2 X L-ACOUSTICS KS21 SUBWOOFERS
1 X L-ACOUSTICS A15 BUMP RIGGING FRAME
SUSPENSION RIGGED FROM CEILING CUSTOM RIGGING POINTS. SEE 5/AV616
 - FUTURE JBL 8320 CINEMA SURROUND SPEAKERS MOUNTED ON WALL 8' ABOVE SEATING STAND FLOOR HEIGHT PROVIDE CABLE AND COVER PLATE.
 - FUTURE JBL 8320 CINEMA SURROUND SPEAKERS MOUNTED ON WALL 18' ABOVE STAGE FLOOR HEIGHT PROVIDE CABLE AND COVER PLATE.

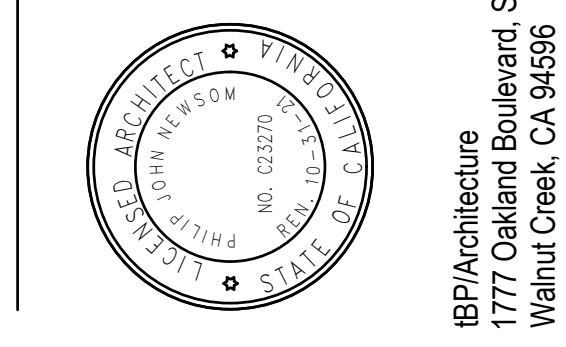
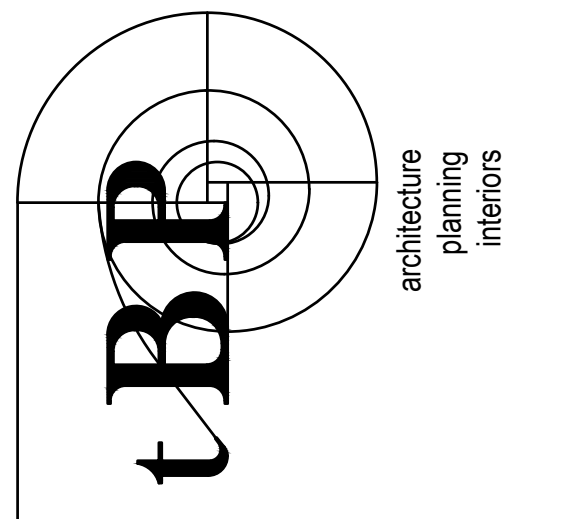
1 FRONT ARRAY SPEAKERS - EAST ELEVATION
SCALE: 3/16"=1'-0"

3 STAGE SPEAKERS - EAST ELEVATION
SCALE: 3/16"=1'-0"



2 SPEAKER CENTERLINE - NORTH SECTIONAL
SCALE: 3/16"=1'-0"

DSA Application #02-118286
DSA File #58-C1



AV SYSTEM CONSULTANT:
A+G Andrew Design Group, Inc.
A/V Consulting and Engineering
Andrew Design Group, Inc.
626-744-6558
adg@AndrewDesign.com
www.AndrewDesign.com

architect

WOODLAND COMMUNITY COLLEGE
PERFORMING ARTS/
CULINARY SERVICES
FACILITY
2300 E. GIBSON RD., WOODLAND, CA 95776
YUBA COMMUNITY COLLEGE DISTRICT

owner

tBP project number: 22039.00

file name:

drawn by: checked by:

date: Issue Date MAY 17, 2021

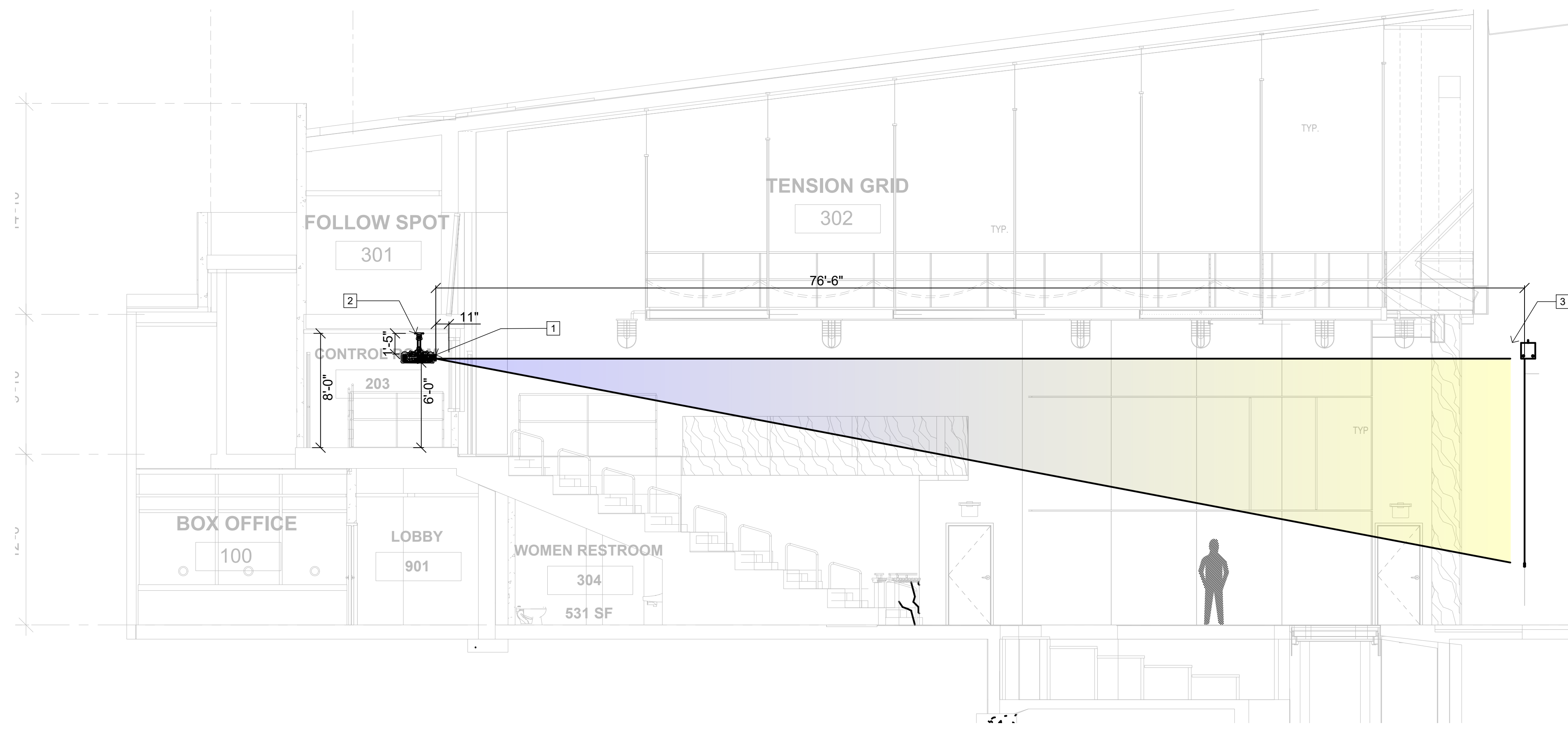
rev.	date:	description:
	05/17/2021	BID SET
	12/23/2021	ADDENDUM #4
	DELTA A17 12/12/2022	ASI 17
	FFE 05/30/2023	FF&E UPDATE

THIS DRAWING AND THE DESIGN, SPECIFICATIONS, IDEAS AND OTHER INFORMATION CONTAINED HEREIN CONSTITUTE UNPUBLISHED WORK OF ARCHITECTURE AND SHALL REMAIN PROPERTY OF ARCHITECTURE IN PERPETUITY. NO PART HEREOF SHALL BE REPRODUCED, DISCLOSED, DISTRIBUTED, COPIED, PUBLISHED OR OTHERWISE USED IN ANY MANNER WITHOUT THE ADVANCED EXPRESS WRITTEN CONSENT OF ARCHITECTURE.

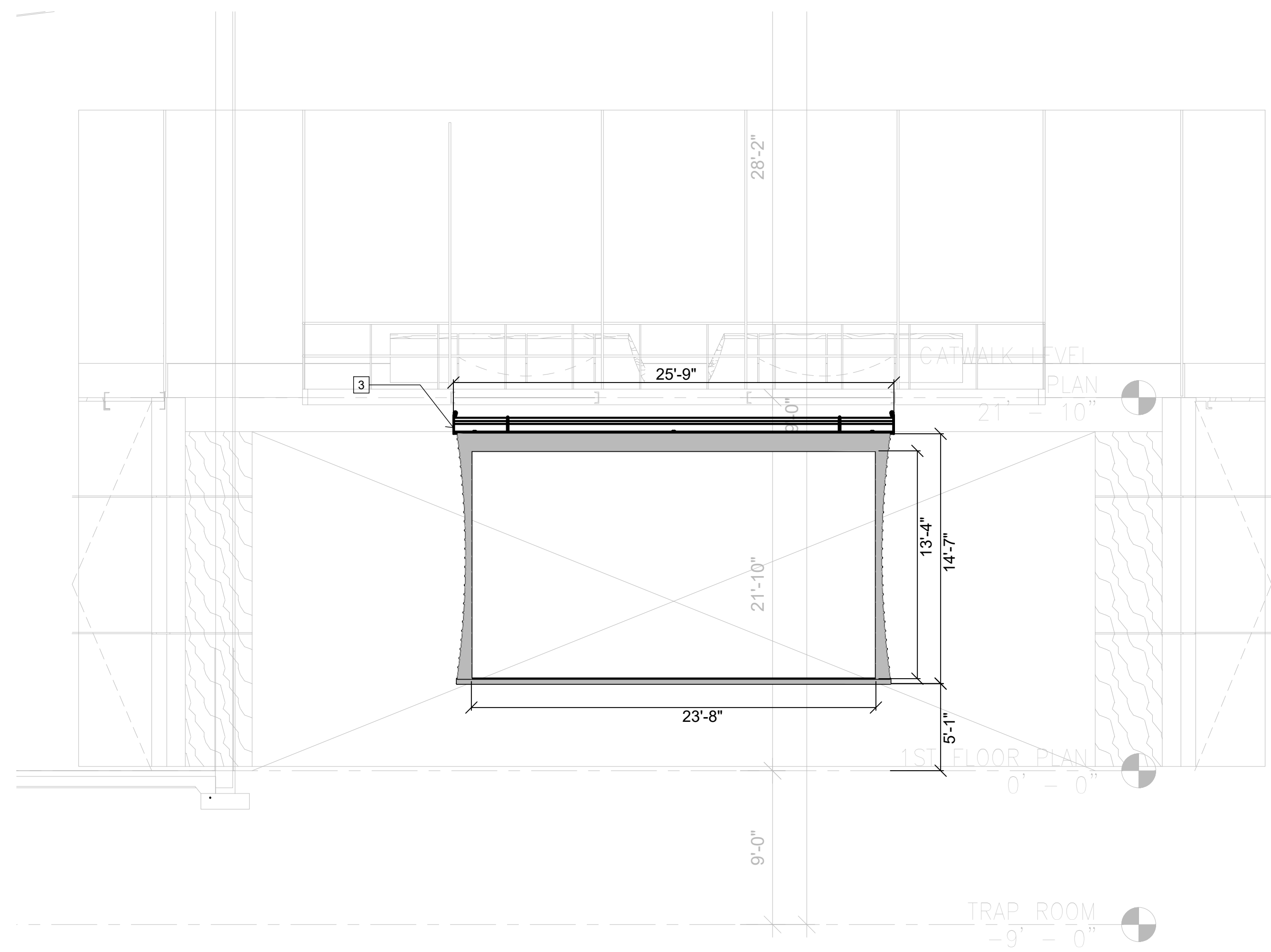
drawing title:
AV SPEAKER LAYOUT
LCR SIDE WALL SECTION

drawing no.:
AV-604

drawing of



1 VIDEO PROJECTION - LONGITUDINAL
SCALE: 3/16"=1'-0"

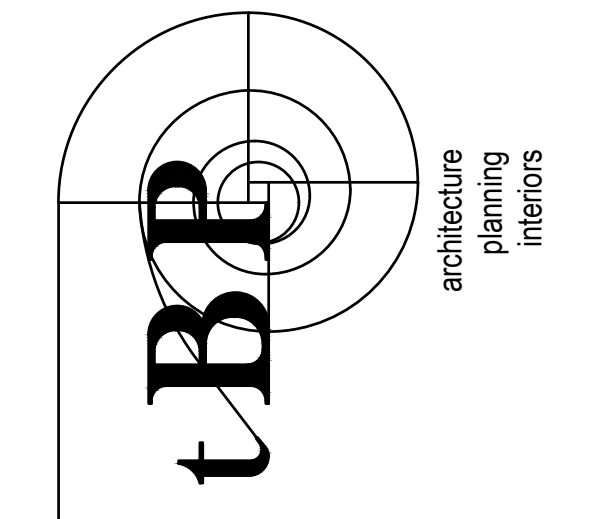


2 VIDEO PROJECTION SCREEN - TRANSVERSE
SCALE: 3/16"=1'-0"

SHEET NOTES:

- 1 CHRISTIE DIGITAL
D16HD-HS 1920X1080 LASER
DIGITAL VIDEO PROJECTOR
LENS : 140-111104-01 2.0:1
ASSEMBLY WEIGHT: 128 LBS.
- 2 CHRISTIE DIGITAL
ONE MOUNT PLUS 140-11711-XX
ONE MOUNT PLUS EXTENDER ROM
121-125109-XX- SEE MOUNTING DETAIL 9/AV615
- 3 DRAPER
PARAGON 114615, 32" DIA. 16X9 IMAGE
ELECTRIC VIDEO PROJECTOR SCREEN
ASSEMBLY WEIGHT: 535 LBS. MOUNTING DETAIL
6/AV616

DSA Application #02-118286
DSA File #58-C1



tBP/Architecture
1777 Oakland Boulevard, Suite 320
Walnut Creek, CA 94596
ph. 925.246.6419



Andrew Design Group, Inc.
626-744-9358
adg@AndrewDesign.com
www.AndrewDesign.com

WOODLAND COMMUNITY COLLEGE
PERFORMING ARTS/
CULINARY SERVICES
FACILITY
2300 E. GIBSON RD, WOODLAND, CA 95776
YUBA COMMUNITY COLLEGE DISTRICT

tBP project number: 22039.00

file name:

drawn by: checked by:

date: Issue Date MAY 17, 2021

rev.	date:	description:
	05/17/2021	BID SET
	12/23/2021	ADDENDUM #4
	DELTA A17 12/12/2022	ASI 17
	FFE 05/30/2023	FF&E UPDATE

THIS DRAWING AND THE DESIGN, DEPICTIONS, IDEAS AND OTHER INFORMATION CONTAINED HEREIN CONSTITUTE UNPUBLISHED WORK OF ARCHITECTURE AND SHALL REMAIN PROPERTY OF ARCHITECTURE IN PROPRIETY. NO PART THEREOF SHALL BE REPRODUCED, DISCLOSED, DISTRIBUTED, SOLD, PUBLISHED OR OTHERWISE USED IN ANY WAY WITHOUT THE ADVANCED EXPRESS WRITTEN CONSENT OF ARCHITECTURE.

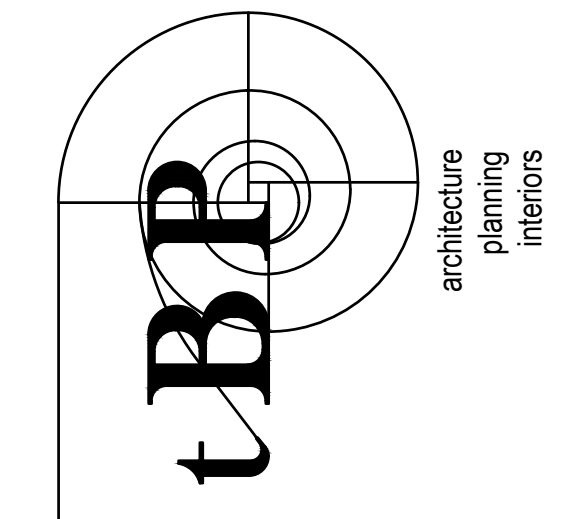
drawing title:
AV SYSTEM
VIDEO PROJECTION
drawing no.:
AV-605

drawing of

SHEET NOTES:

- 1 CHRISTIE DIGITAL
D16HD-HS 1920X1080 LASER
DIGITAL VIDEO PROJECTOR
LENS : 140-111104-01 2.0:1
ASSEMBLY WEIGHT: 128 LBS. SEE MOUNTING
DETAIL 0/AV615
- 2 DRAPER
PARAGON 114615, 324" DIA. 16X9 IMAGE
ELECTRIC VIDEO PROJECTOR SCREEN
ASSEMBLY WEIGHT: 535 LBS. SEE MOUNTING
DETAIL 0/AV616

DSA Application #02-118286
DSA File #58-C1



agency
tBP architecture
planning
interiors
1777 Oakland Boulevard, Suite 320
Walnut Creek, CA 94596
ph. 925.246.6419

architect
AV SYSTEM CONSULTANT:
A/G Andrew Design Group, Inc.
AV Consulting and Engineering
Andrew Design Group, Inc.
626-744-5358
adg@AndrewDesign.com
www.AndrewDesign.com

consultant

owner
WOODLAND COMMUNITY COLLEGE
PERFORMING ARTS/
CULINARY SERVICES
FACILITY
2300 E. GIBSON RD., WOODLAND, CA 95776
YUBA COMMUNITY COLLEGE DISTRICT

tBP project number: 22039.00

file name:

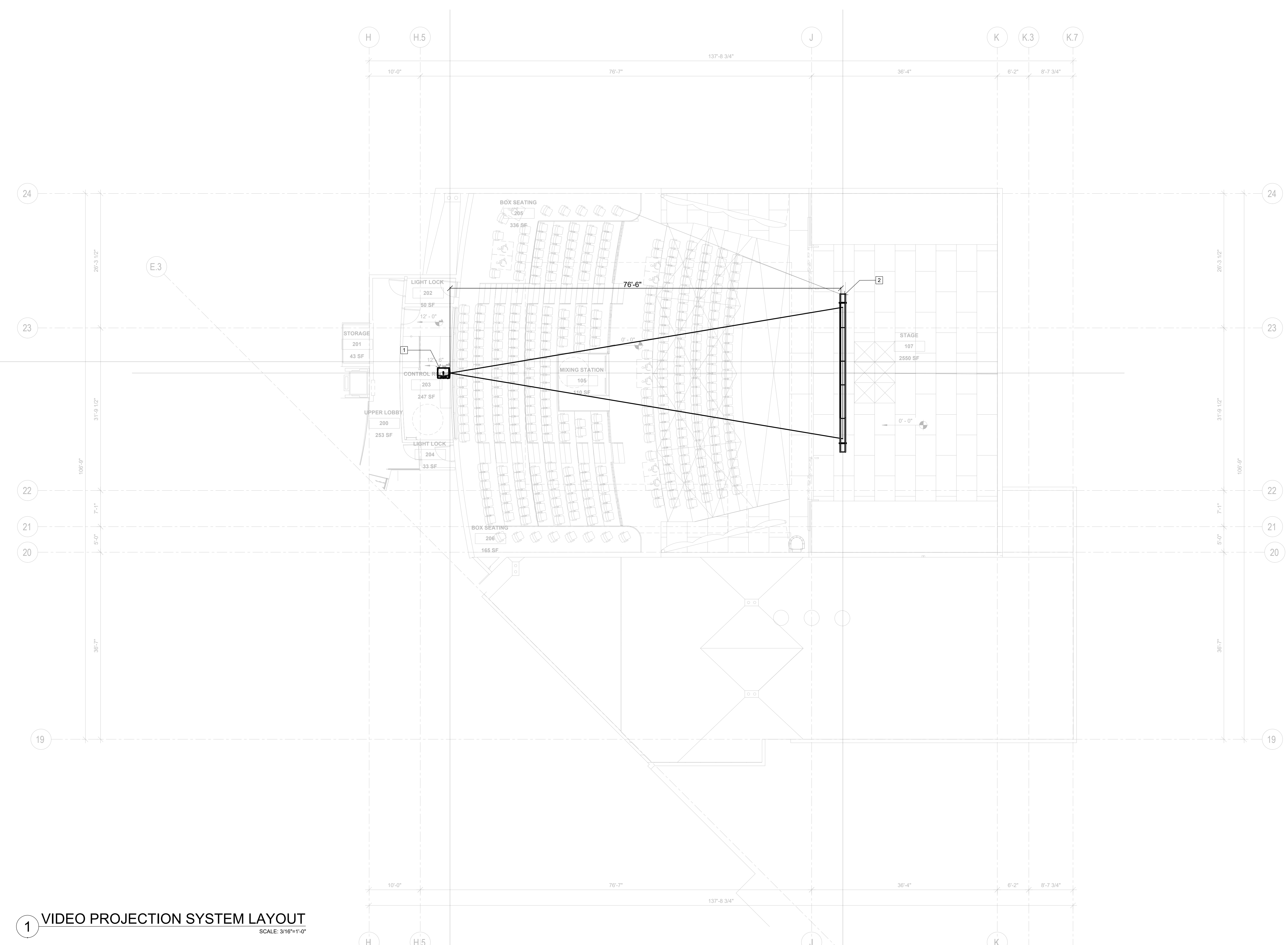
drawn by: checked by:

date: Issue Date MAY 17, 2021

rev.	date:	description:
	05/17/2021	BID SET
	12/23/2021	ADDENDUM #4
	DELTA A17 12/12/2022	ASI 17
	FFE 05/30/2023	FF&E UPDATE

THIS DRAWING AND THE DESIGN, EXPOSITIONS, IDEAS AND OTHER INFORMATION CONTAINED HEREIN CONSTITUTE UNPUBLISHED WORK OF ARCHITECTURE AND SHALL REMAIN PROPERTY OF ARCHITECTURE IN PERPETUITY. NO PART THEREOF SHALL BE REPRODUCED, DISCLOSED, DISTRIBUTED, SOLD, PUBLISHED OR OTHERWISE USED IN ANY WAY WITHOUT THE ADVANCED EXPRESS WRITTEN CONSENT OF ARCHITECTURE.

drawing title:
AV SYSTEM
VIDEO PROJECTION PLAN
drawing no.:
AV-606
drawing of

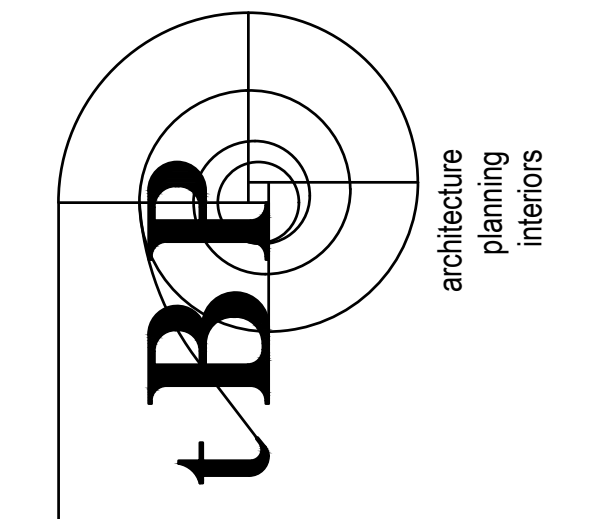


1 VIDEO PROJECTION SYSTEM LAYOUT
SCALE: 3/16"=1'-0"

SHEET NOTES:

- 1 NOT USED
- 2 FUTURE JBL 8320 CINEMA SURROUND SPEAKERS MOUNTED ON WALL 8' ABOVE SEATING STAND FLOOR HEIGHT. PROVIDE CABLE AND COVER PLATE ONLY. SEE MOUNTING DETAIL 9/AV615
- 3 ICP04-013 - ANTENNA INTERFACE
- 4 ICP07-01 - CAMERA INTERFACE
- 5 VADDIO ROBOSHOT 30E BMTF WITH THIN PROFILE WALL MOUNT. 535-2000-240 SEE 4/AV615 FOR MOUNTING DETAILS
- 6 ICP08-0102 - DATA PORTS
- 7 ICP09-08/09 - INTERCOM
- 8 ICP02-0102 - IO PANEL

DSA Application #02-118286
DSA File #58-C1



architect
tBP architecture
planning
interiors
1777 Oakland Boulevard, Suite 320
Walnut Creek, CA 94596
ph. 925.246.6419

AV SYSTEM CONSULTANT:
Andrew Design Group, Inc.
A/V Consulting and Engineering
Andrew Design Group, Inc.
626-744-9358
adg@AndrewDesign.com
www.AndrewDesign.com

consultant

WOODLAND COMMUNITY COLLEGE
PERFORMING ARTS/
CULINARY SERVICES
FACILITY
2300 E. GIBSON RD., WOODLAND, CA 95776
YUBA COMMUNITY COLLEGE DISTRICT

owner
tBP project number: 22039.00

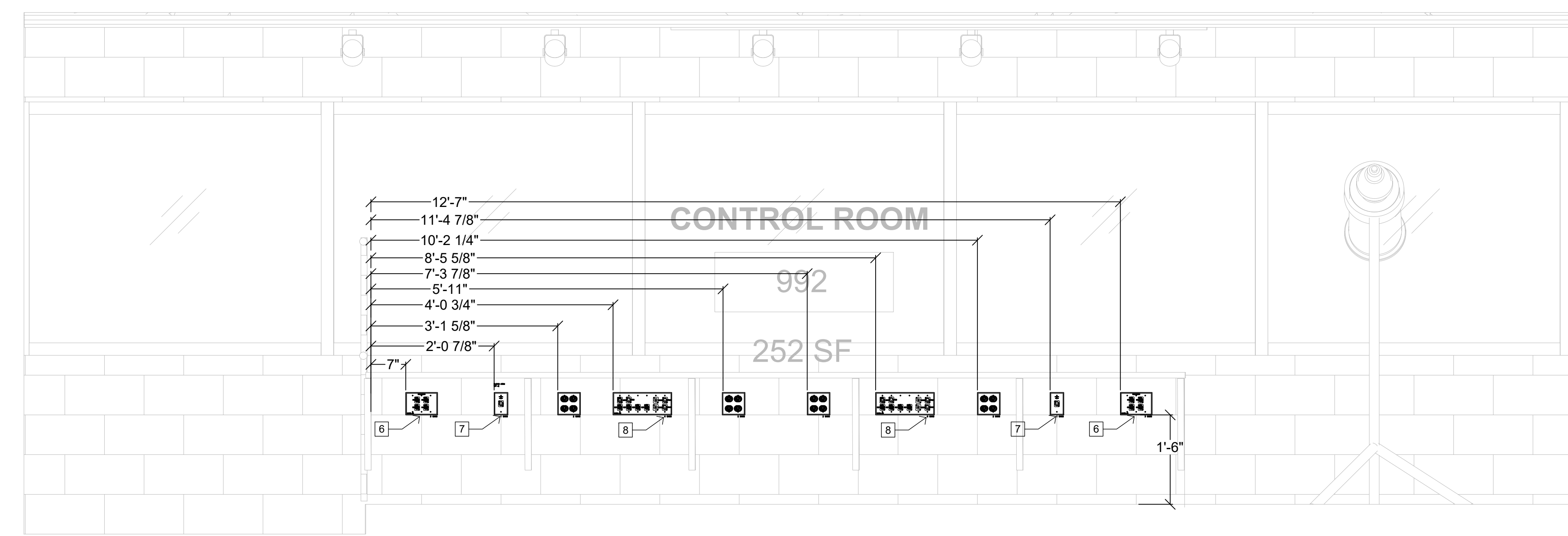
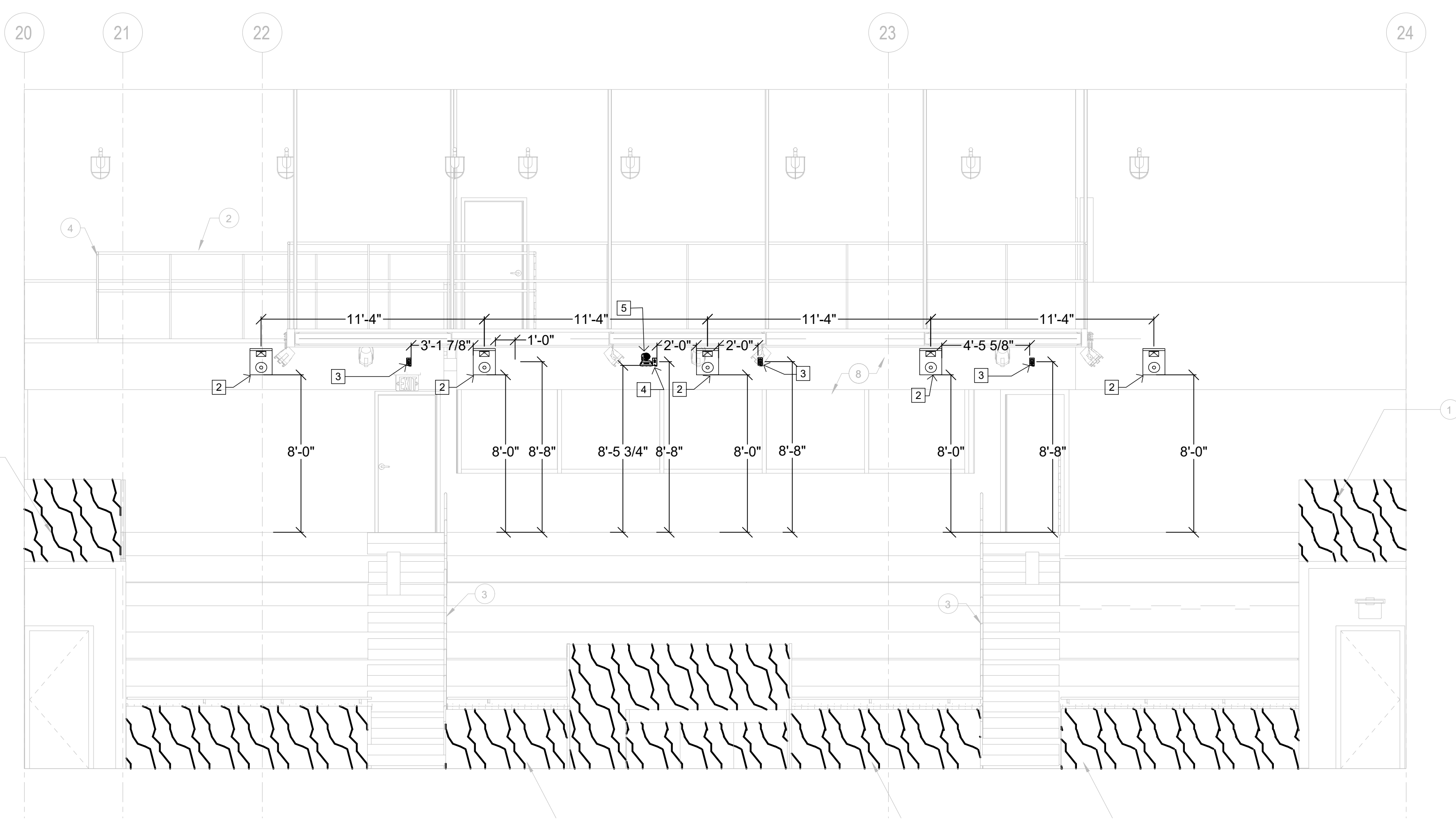
file name:	
drawn by:	checked by:
date: Issue Date	MAY 17, 2021
rev. date:	description:
05/17/2021	BID SET
12/23/2021	ADDENDUM #4
DELTA A17 12/12/2022	ASI 17
FFE 05/30/2023	FF&E UPDATE

THIS DRAWING AND THE DESIGN, SPECIFICATIONS, IDEAS AND OTHER INFORMATION CONTAINED HEREIN CONSTITUTE UNPUBLISHED WORK OF ARCHITECTURE AND SHALL REMAIN PROPERTY OF ARCHITECTURE IN PERPETUITY. NO PART THEREOF SHALL BE REPRODUCED, DISCLOSED, DISTRIBUTED, COPIED, PUBLISHED OR OTHERWISE USED IN ANY MANNER WITHOUT THE ADVANCED EXPRESS WRITTEN CONSENT OF ARCHITECTURE.

drawing title:
AV SYSTEMS MIXING/ CONTROL BOOTH, REAR SURROUND EQUIPMENT ELEVATION DETAILS

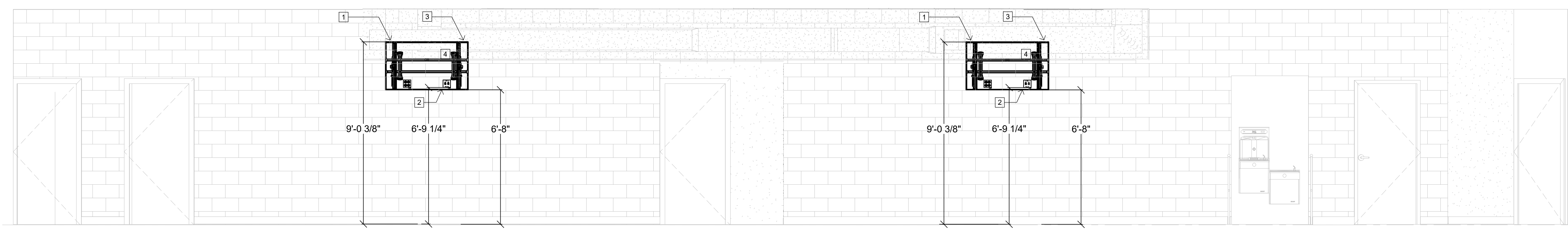
drawing no.:
AV-610

drawing of

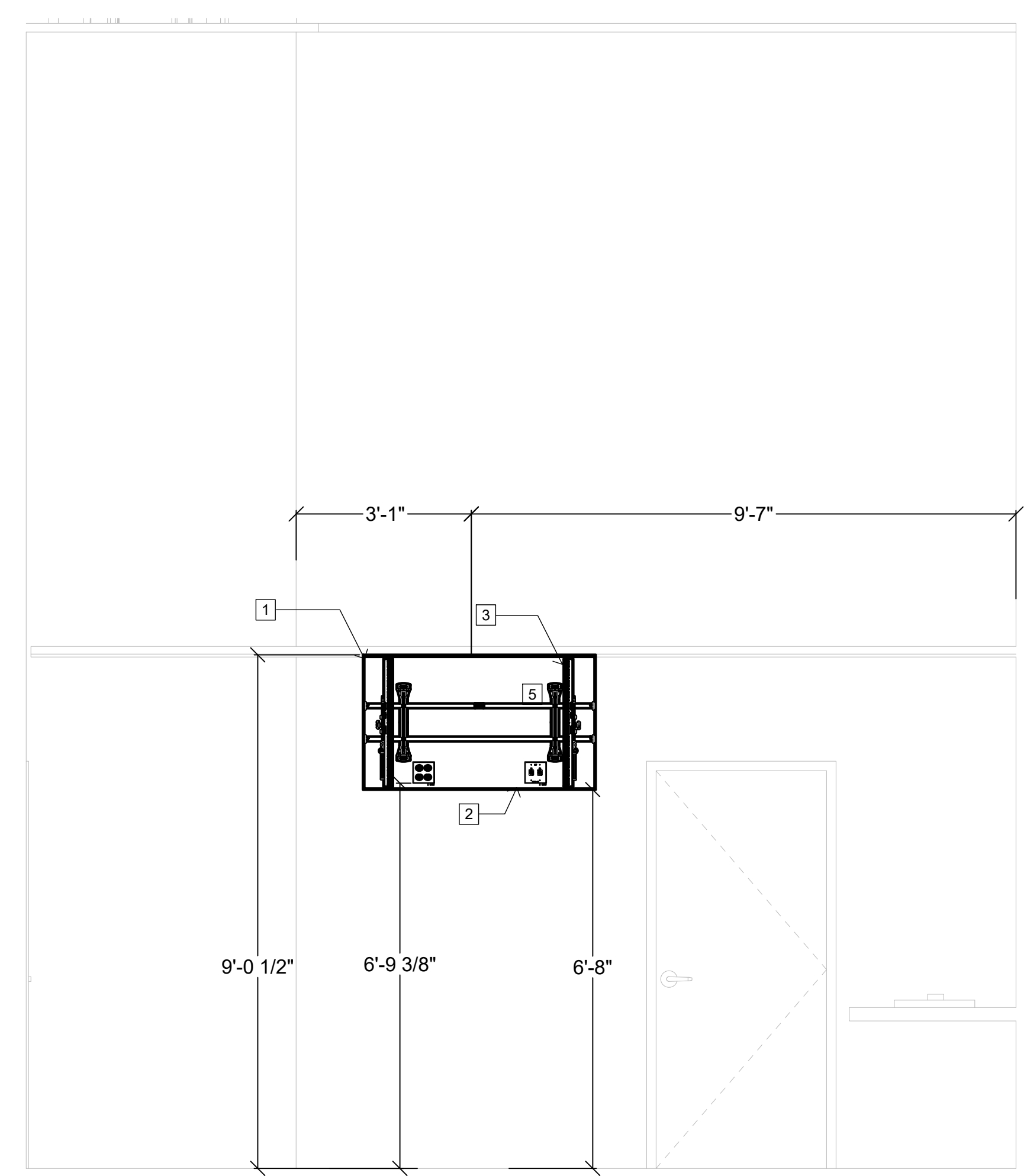


SHEET NOTES:

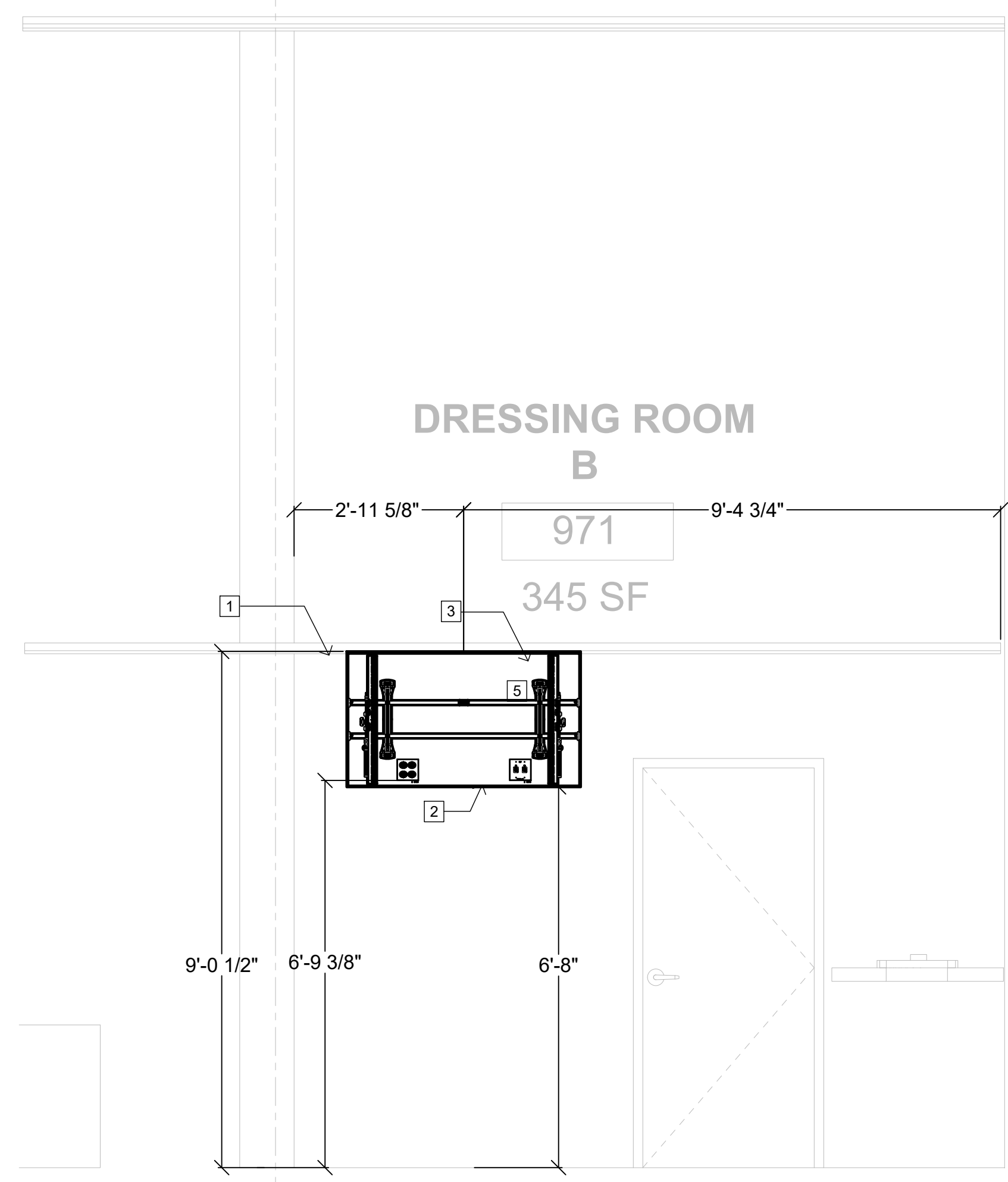
- 1 SAMSUNG QM55R 55" DISPLAY (39.9 lbs)
CHIEF XTM1U MOUNTING BRACKET FOR DISPLAY
- 2 ICP06-0X, WALL PANEL & QUAD 120VAC OUTLET
- 3 CHIEF XTMU1 MOUNTING BRACKET FOR DISPLAY
- 4 PROVIDE (4) 3/8" DIA. MASONRY SCREEN ANCHORS PER DRAWING S/S1.2
- 5 PROVIDE #8 SMS @ 8" FROM PLYWOOD TO EACH STUD, MIN (2) SCREWS PER STUD, MIN (3) STUDS. USE 1/2" PLYWOOD BACKING TO SUPPORT DISPLAY



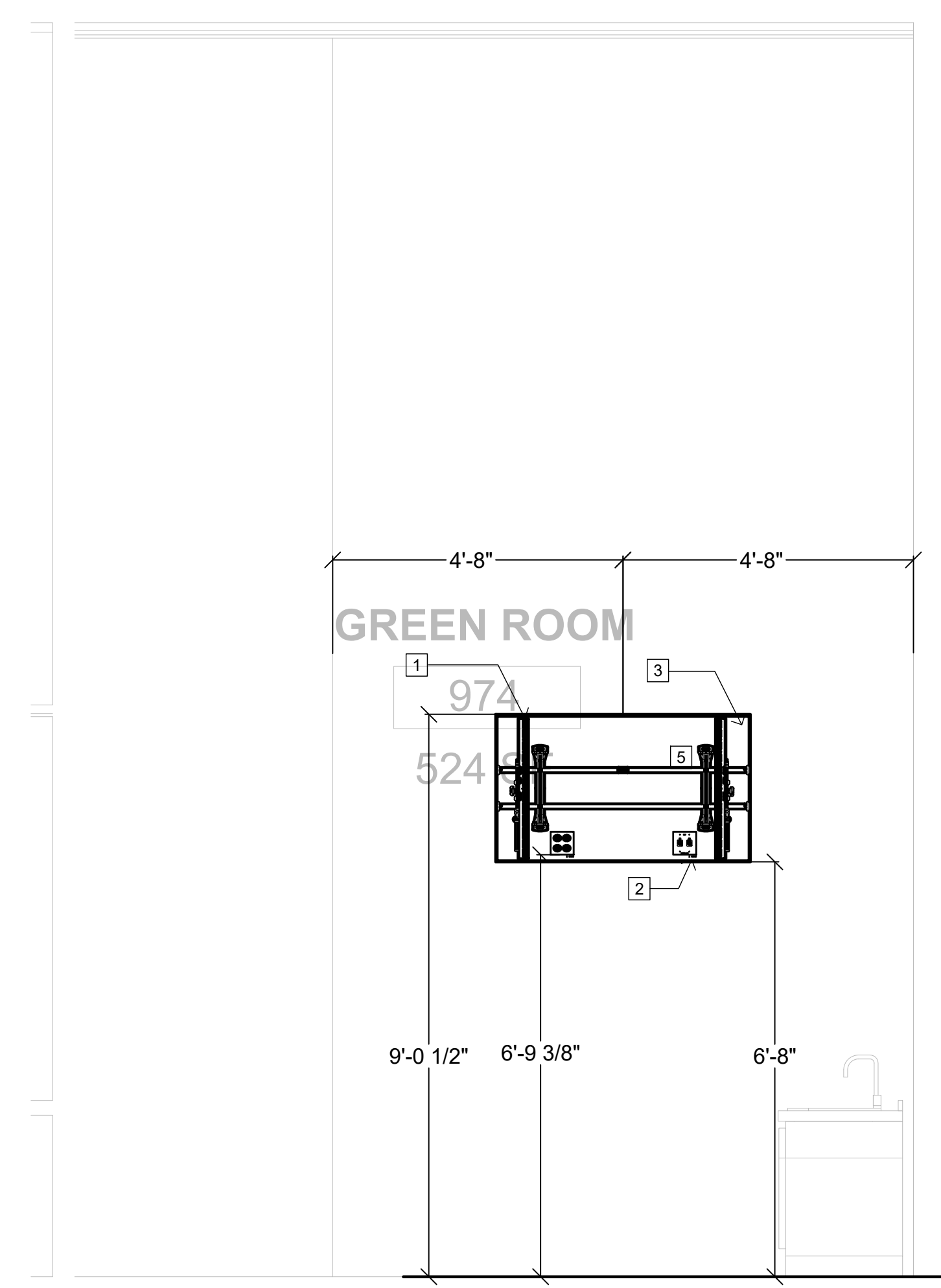
1 LOBBY - EAST ELEVATION VIEW DISPLAYS
SCALE: 3/8"=1'-0"



2 DRESSING ROOM A (976) - NORTH ELEVATION VIEW DISPLAY
SCALE: 1/2"=1'-0"

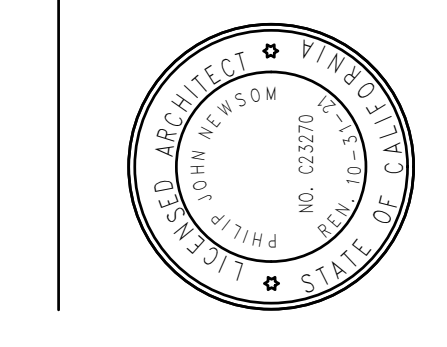
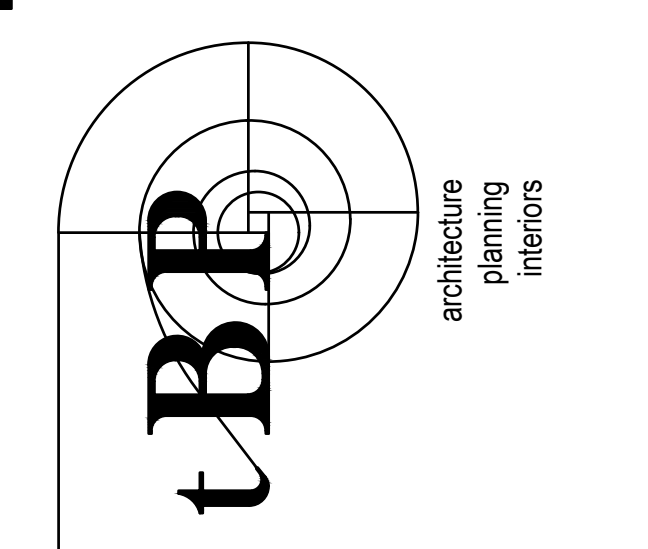


3 DRESSING ROOM B (971) - EAST ELEVATION VIEW DISPLAY
SCALE: 1/2"=1'-0"



4 GREEN ROOM (974) - EAST ELEVATION VIEW DISPLAY
SCALE: 1/2"=1'-0"

DSA Application #02-118286
DSA File #58-C1



tBP/Architecture
1777 Oakland Boulevard, Suite 320
Walnut Creek, CA 94596
ph. 925.246.6419

AV SYSTEM CONSULTANT:
A+G Andrew Design Group, Inc.
A/V Consulting and Engineering
Andrew Design Group, Inc.
626-744-9358
adg@AndrewDesign.com
www.AndrewDesign.com

consultant

WOODLAND COMMUNITY COLLEGE
PERFORMING ARTS/
CULINARY SERVICES
FACILITY
2300 E. GIBSON RD., WOODLAND, CA 95776
YUBA COMMUNITY COLLEGE DISTRICT

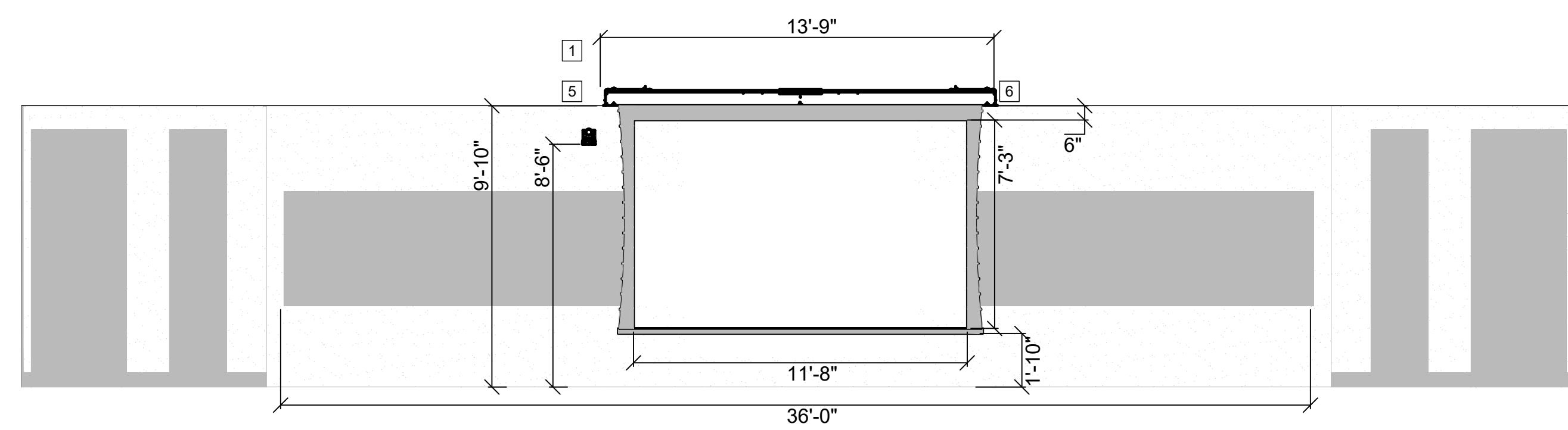
owner

tBP project number:	22039.00
file name:	
drawn by:	checked by:
date:	Issue Date
date:	MAY 17, 2021
rev:	date:
date:	description:
05/17/2021	BID SET
12/23/2021	ADDENDUM #4
DELTA A17 12/12/2022	ASI 17
FFE	05/30/2023 F&E UPDATE

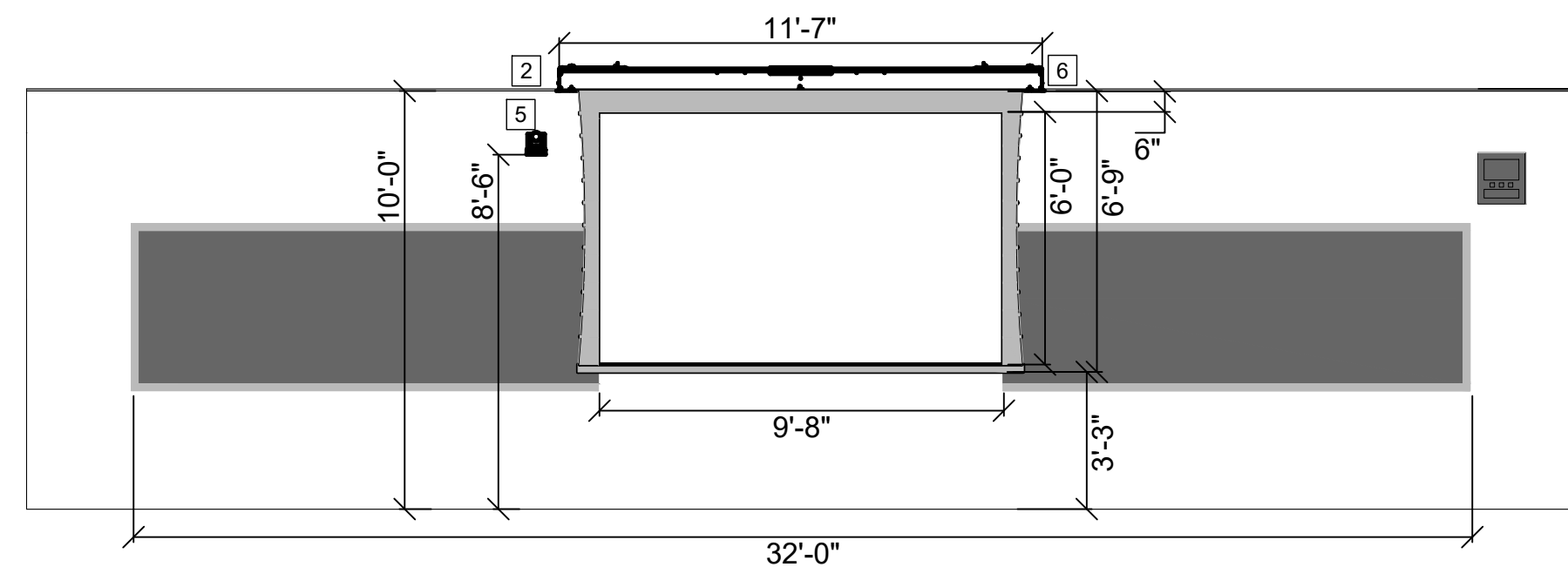
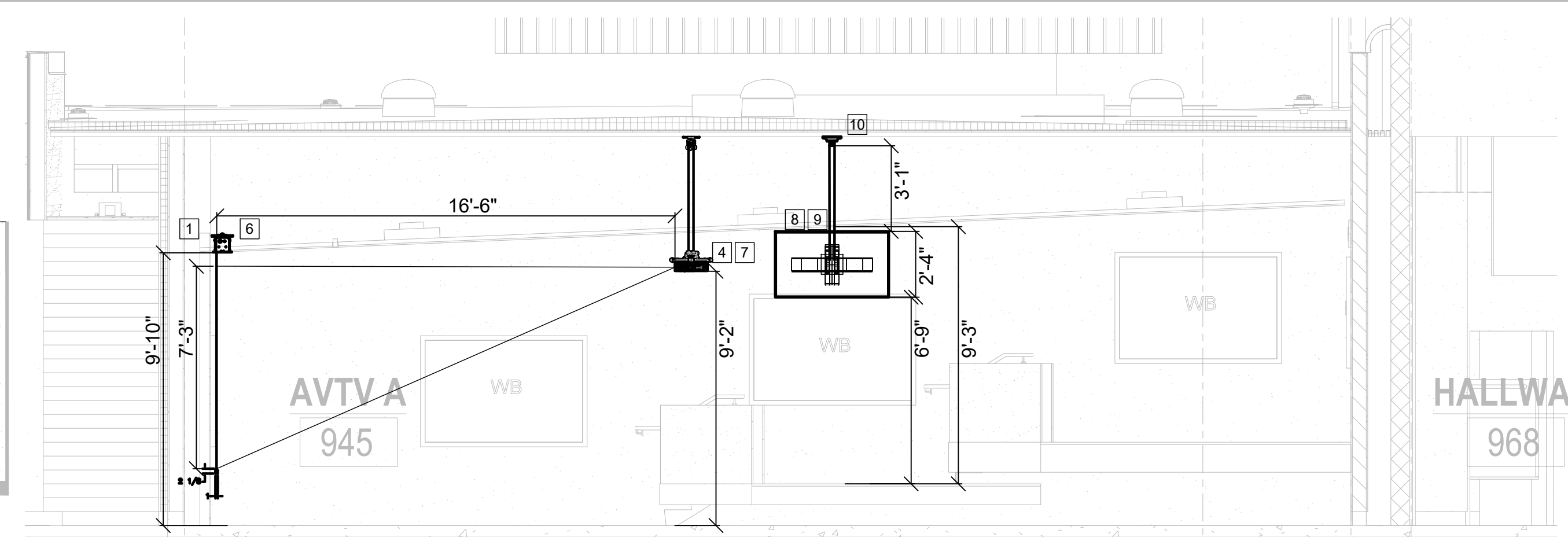
THIS DRAWING AND THE DESIGN, EXPOSITIONS, IDEAS AND OTHER INFORMATION CONTAINED HEREIN CONSTITUTE UNPUBLISHED WORK OF ARCHITECTURE AND SHALL REMAIN PROPERTY OF ARCHITECTURE IN PERPETUITY. NO PART THEREOF SHALL BE REPRODUCED, DISCLOSED, DISTRIBUTED, SOLD, RENTED OR OTHERWISE USED IN ANY WAY WITHOUT THE ADVANCED EXPRESS WRITTEN CONSENT OF ARCHITECTURE.

drawing title:
AV SYSTEMS
VIDEO DISPLAY AND EQUIPMENT
MOUNTING DETAILS
drawing no.:
AV-611

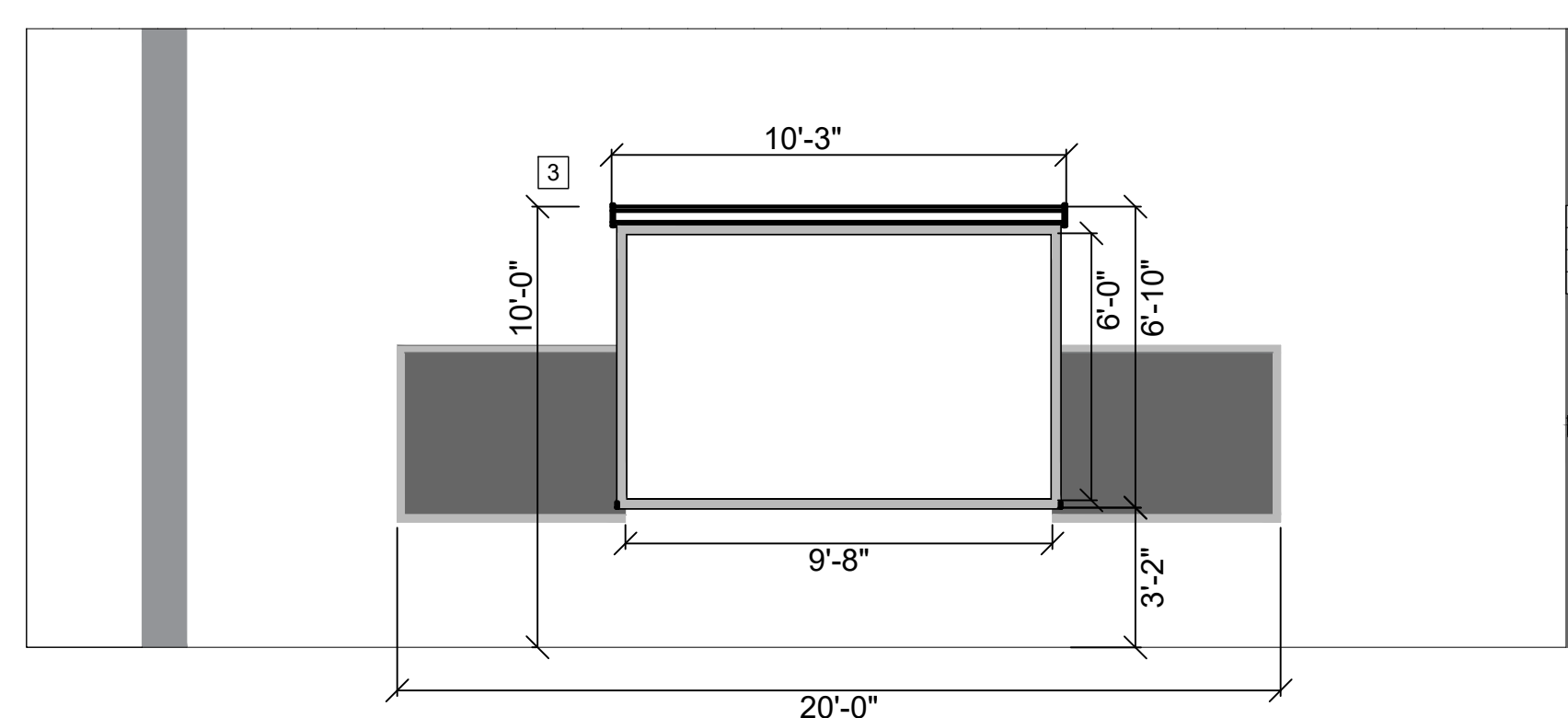
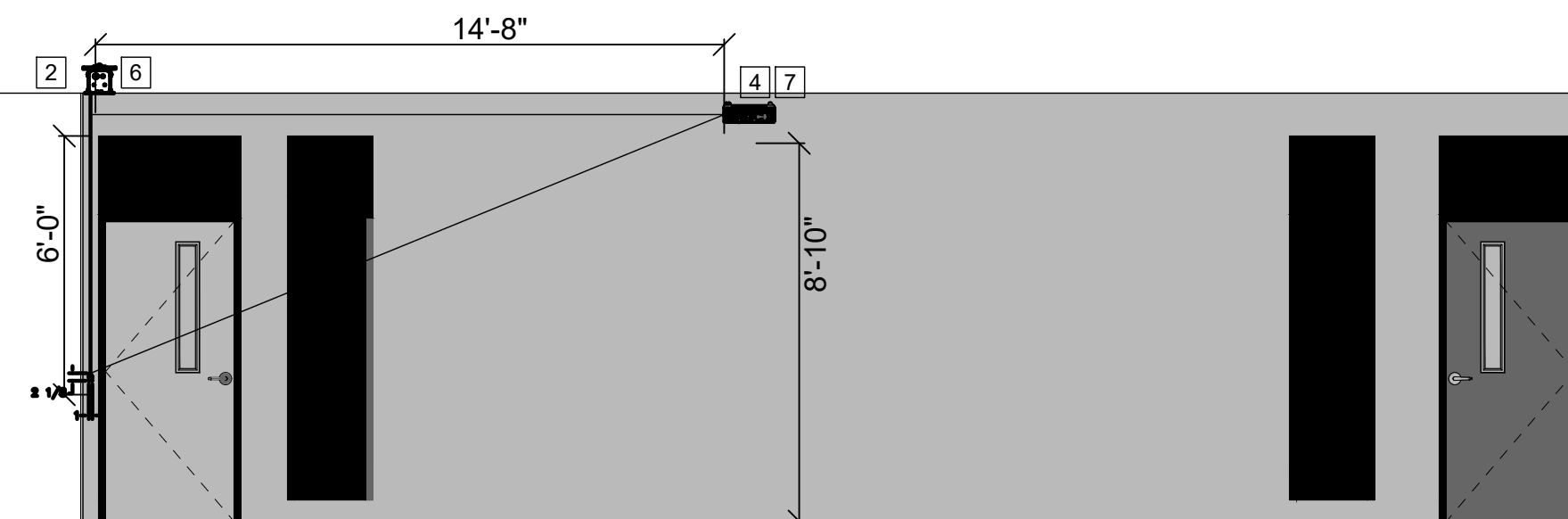
drawing of



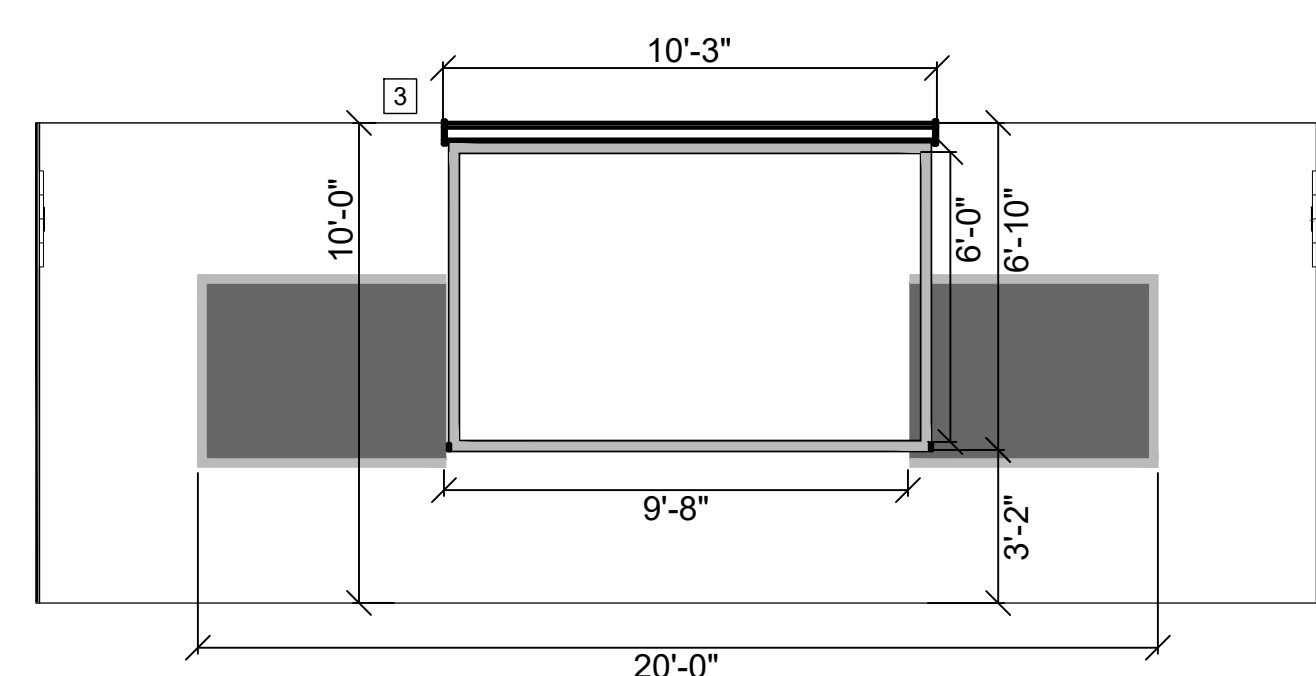
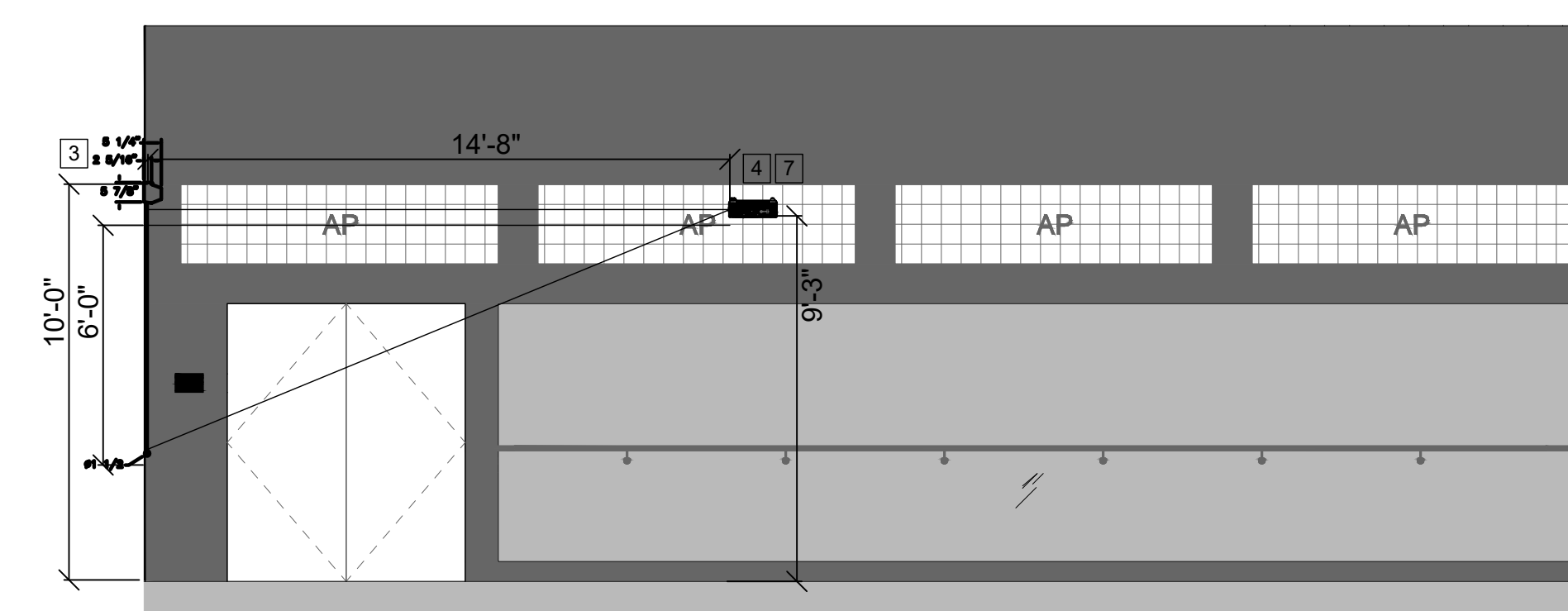
1 CLASSROOM 945 (TIERED LECTURE) ELEVATION SOUTH AND WEST VIEW
SCALE: 1/4"=1'-0"



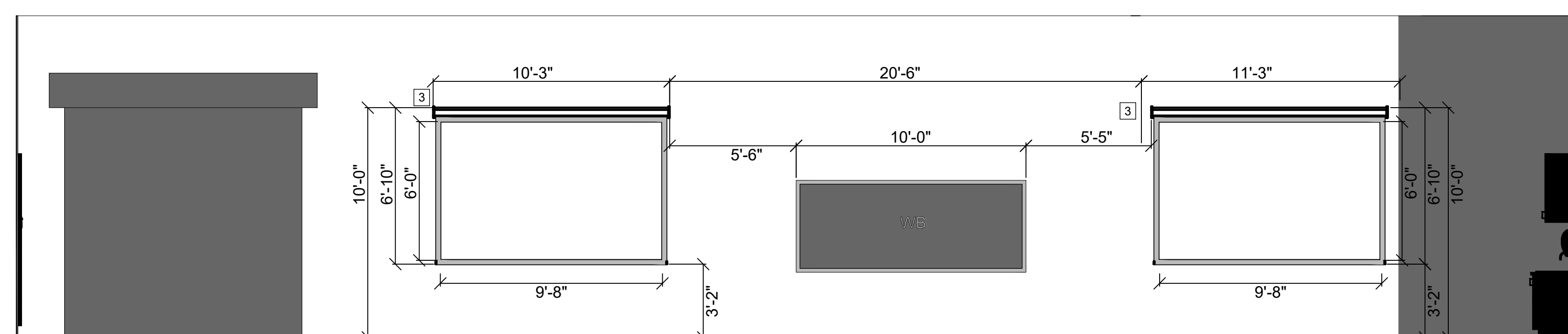
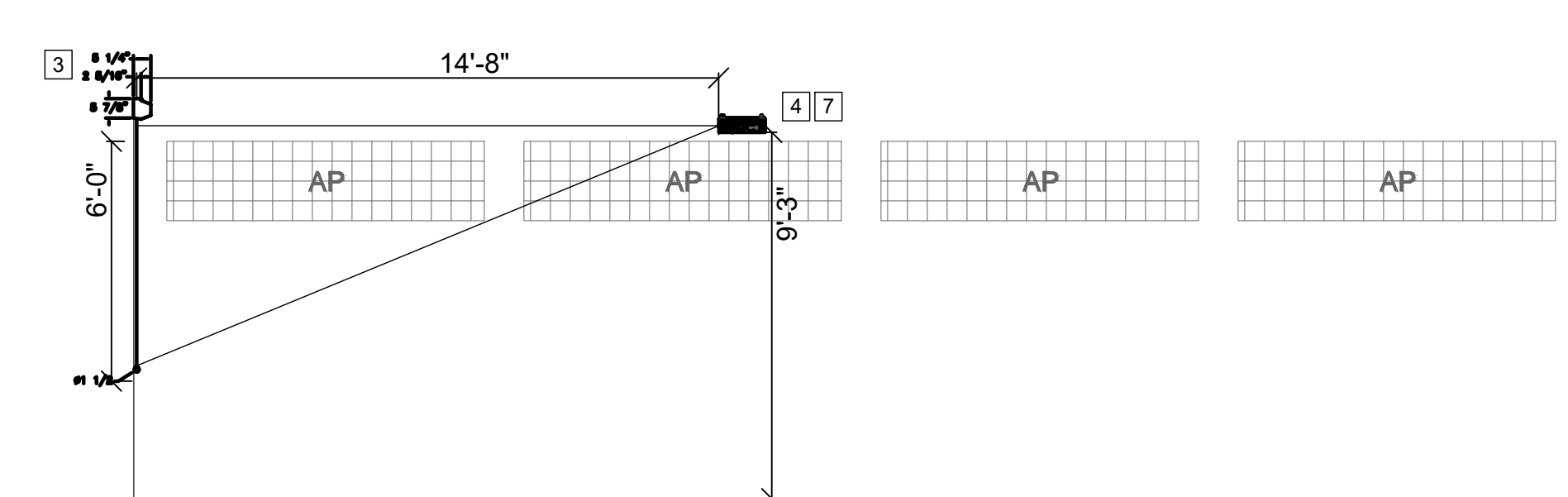
2 CLASSROOM 924 (LECTURE) ELEVATION EAST AND NORTH VIEW
SCALE: 1/4"=1'-0"



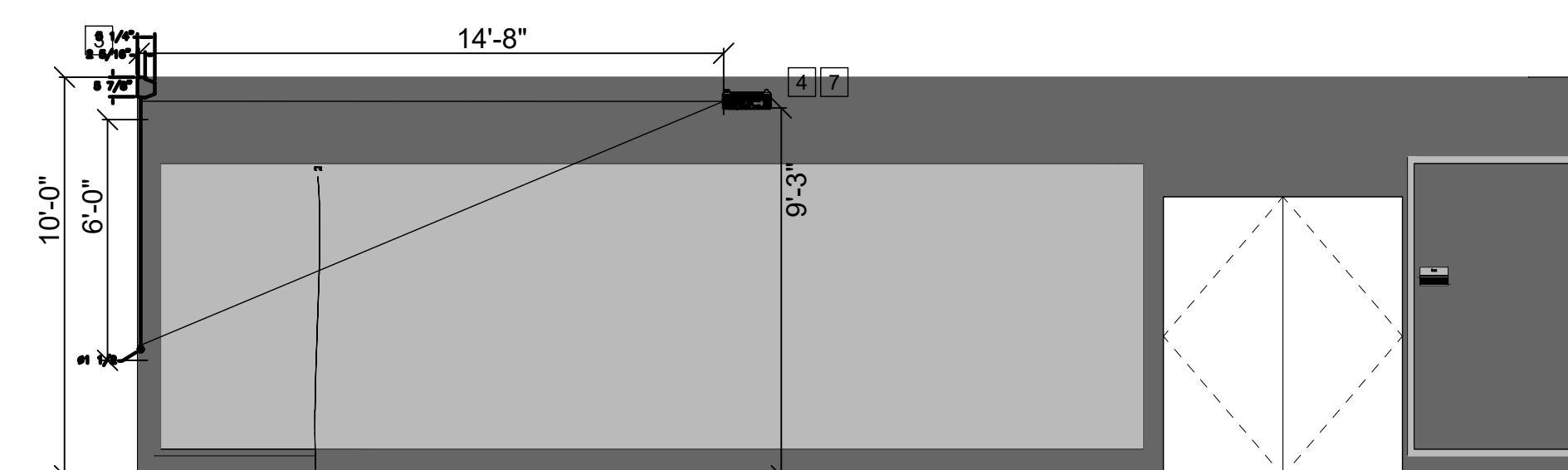
3 CLASSROOM 946 (MUSIC LAB) ELEVATION NORTH AND EAST VIEW
SCALE: 1/4"=1'-0"



4 CLASSROOM 950 (PIANO LAB) ELEVATION NORTH AND EAST VIEW
SCALE: 1/4"=1'-0"



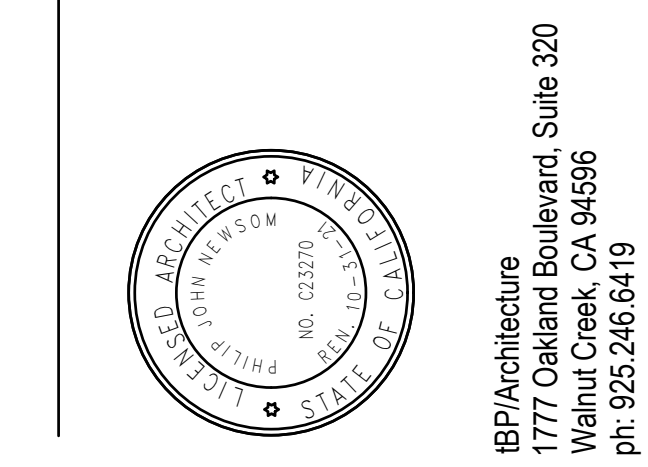
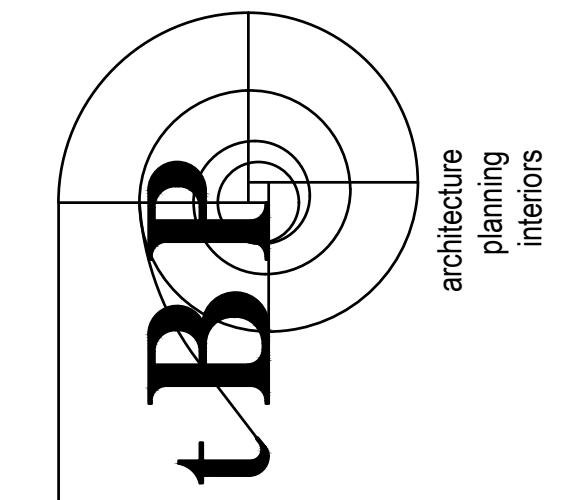
5 CLASSROOM 927 (ART LAB) ELEVATION SOUTH AND WEST VIEW
SCALE: 1/4"=1'-0"



- SHEET NOTES:
- 1 DRAPER ACCESS V 140040U CEILING MOUNTED ELECTRIC PROJECTOR SCREEN (165" DIA)
 - 2 DRAPER ACCESS V 140039QU CEILING MOUNTED ELECTRIC PROJECTOR SCREEN (137" DIA)
 - 3 DRAPER LULMA2 206174 WALL MOUNTED MANUAL PROJECTOR SCREEN (137" DIA) PROVIDE 1/2" PLYWOOD BACKING
 - 4 SONY VPL-PH210
 - 5 QSC PTZ-IP20X72
 - 6 SEE DRAWING 5/A912 FOR SCREEN MOUNTING DETAILS
 - 7 SEE DRAWING 10/A912 FOR PROJECTOR MOUNTING DETAILS
 - 8 SAMSUNG Q855 55" DISPLAY
 - 9 CHIEF CPA LCM1U CEILING MOUNTING BRACKET FOR DISPLAY; CHIEF CPA 330 CEILING PLATE; CHIEF CPA PIN CONNECTION COLUMN 1.5" SEE DRAWING 5/AV613.
 - 10 SEE DRAWING 9/A912 FOR CEILING ATTACHMENT DETAILS

DSA Application #02-118286
DSA File #58-C1

agency



architect

AV SYSTEM CONSULTANT:
A+G Andrew Design Group, Inc.
AV Consulting and Engineering
Andrew Design Group, Inc.
626-744-5358
adg@AndrewDesign.com
www.AndrewDesign.com

consultant

WOODLAND COMMUNITY COLLEGE
PERFORMING ARTS/
CULINARY SERVICES
FACILITY
2300 E. GIBSON RD., WOODLAND, CA 95776
YUBA COMMUNITY COLLEGE DISTRICT

owner

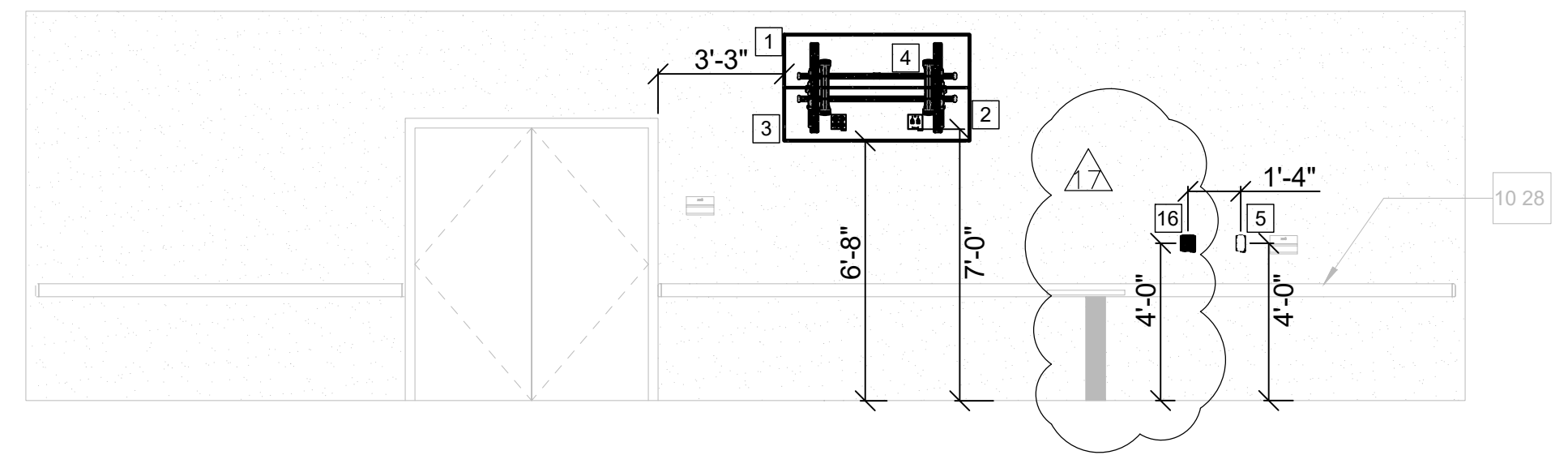
file name:	tBP project number: 22039.00
drawn by:	checked by:
date:	Issue Date MAY 17, 2021
rev:	date: description:
	05/17/2021 BID SET
	12/23/2021 ADDENDUM #4
	DELTA A17 12/12/2022 ASI 17
	FFE 05/30/2023 FFE UPDATE

THIS DRAWING AND THE DESIGN, EXPOSITIONS, IDEAS AND OTHER INFORMATION CONTAINED HEREIN CONSTITUTE UNPUBLISHED WORK OF ARCHITECTURE AND SHALL REMAIN PROPERTY OF ARCHITECTURE IN PERPETUITY. NO PART THEREOF SHALL BE REPRODUCED, DISCLOSED, DISTRIBUTED, SOLD, PUBLISHED OR OTHERWISE USED IN ANY MANNER WITHOUT THE ADVANCED EXPRESS WRITTEN CONSENT OF ARCHITECTURE.

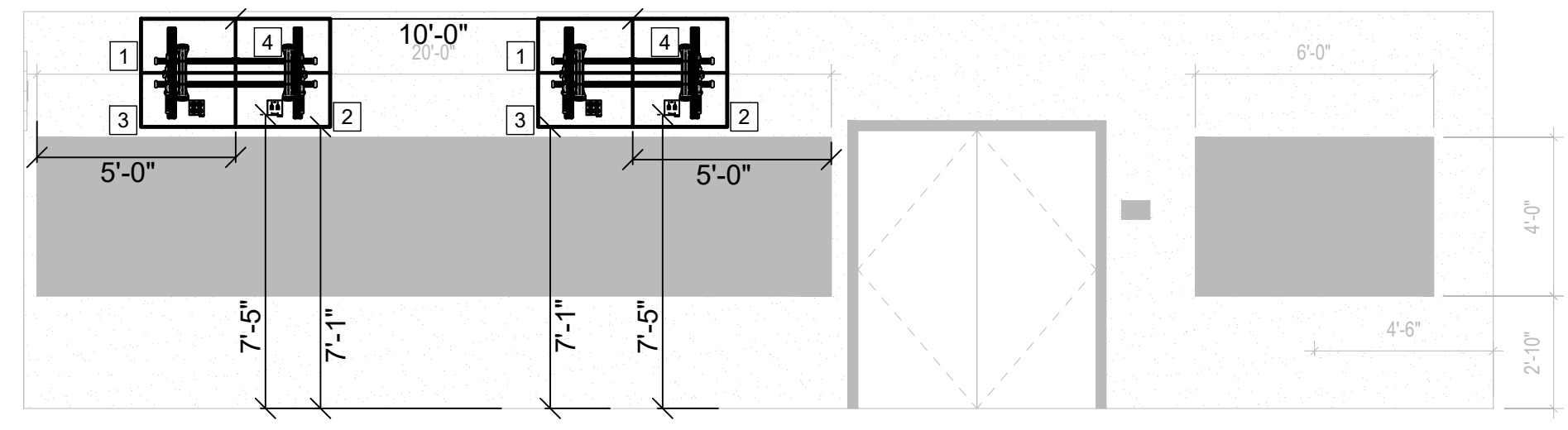
drawing title:
AV PROJECTION LAYOUT
SOUTHWING CLASSROOMS

drawing no.:
AV-612

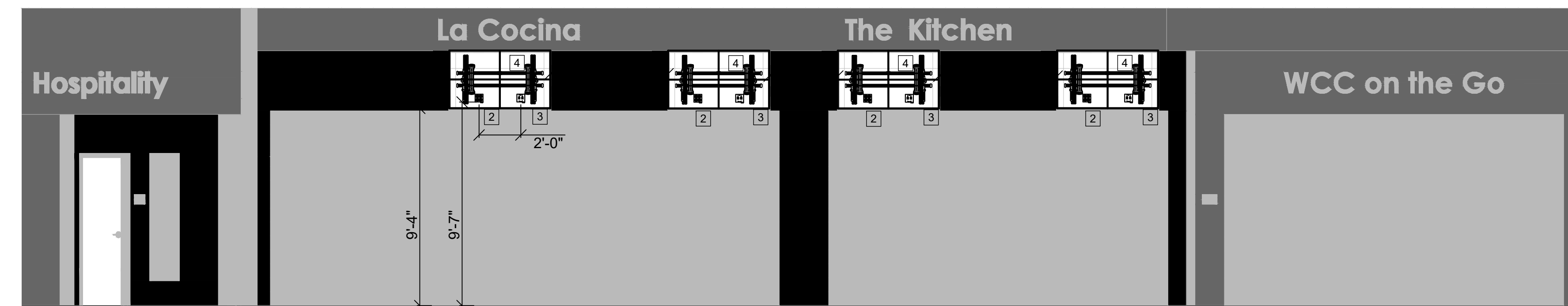
drawing of



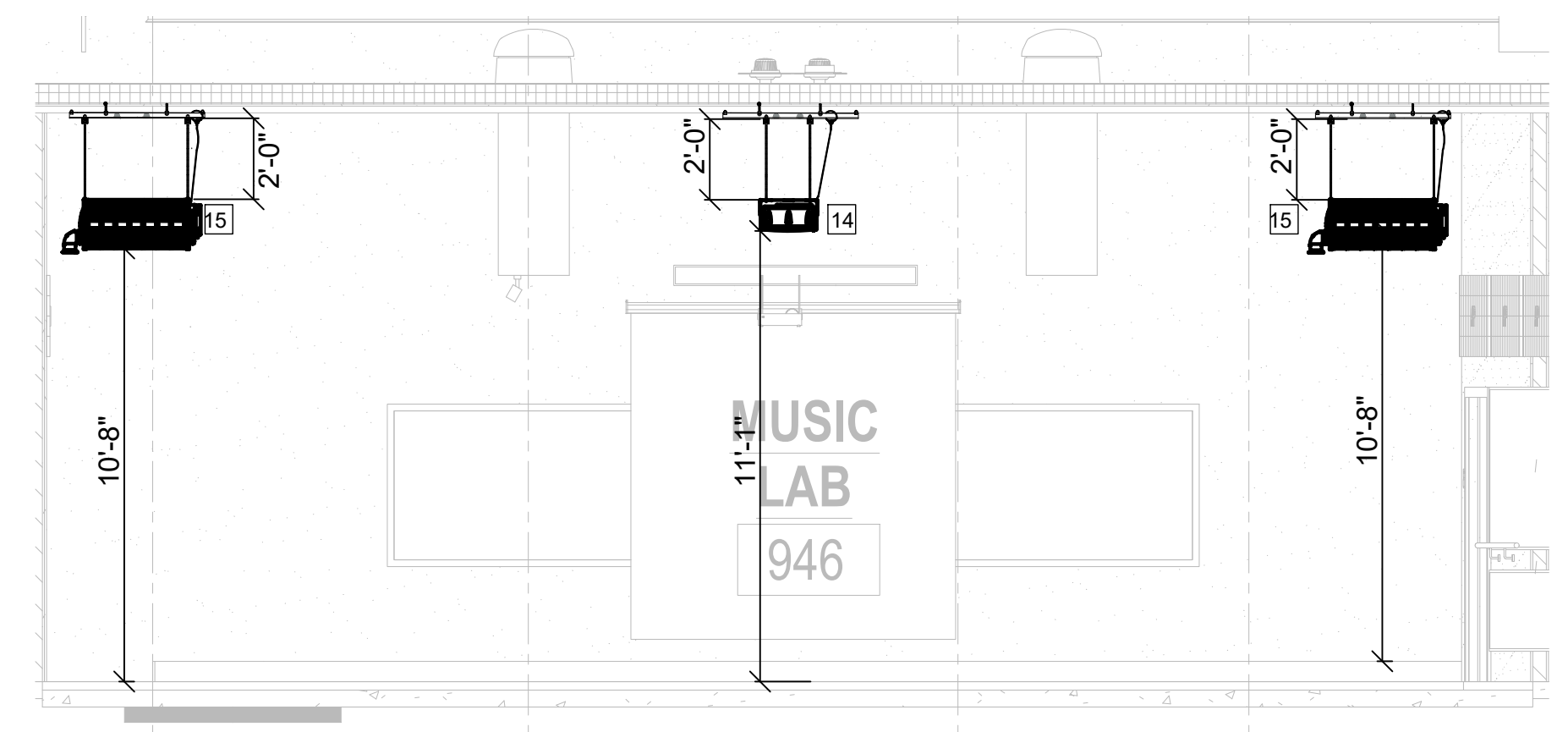
1 HOSPITALITY TRAINING 908 HTA EAST ELEVATION VIEW
SCALE: 1/4"=1'-0"



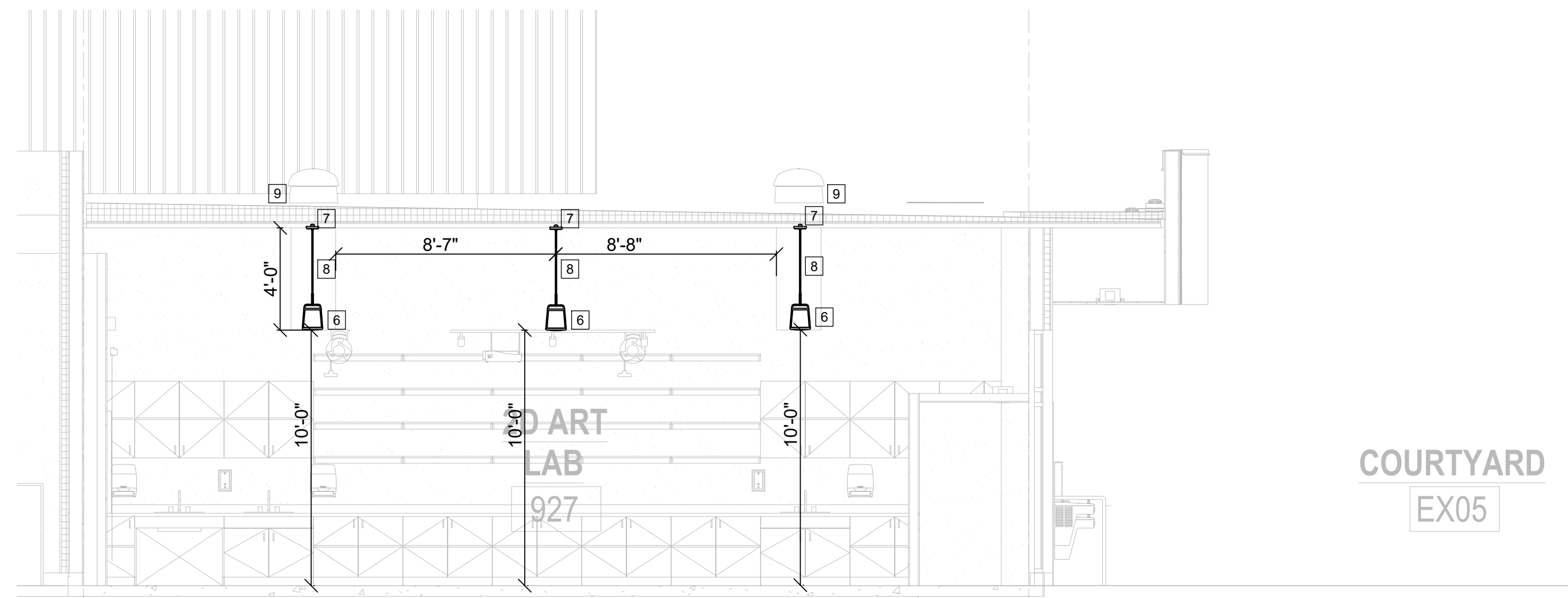
2 LECTURE ROOM 924 WEST ELEVATION VIEW
SCALE: 1/4"=1'-0"



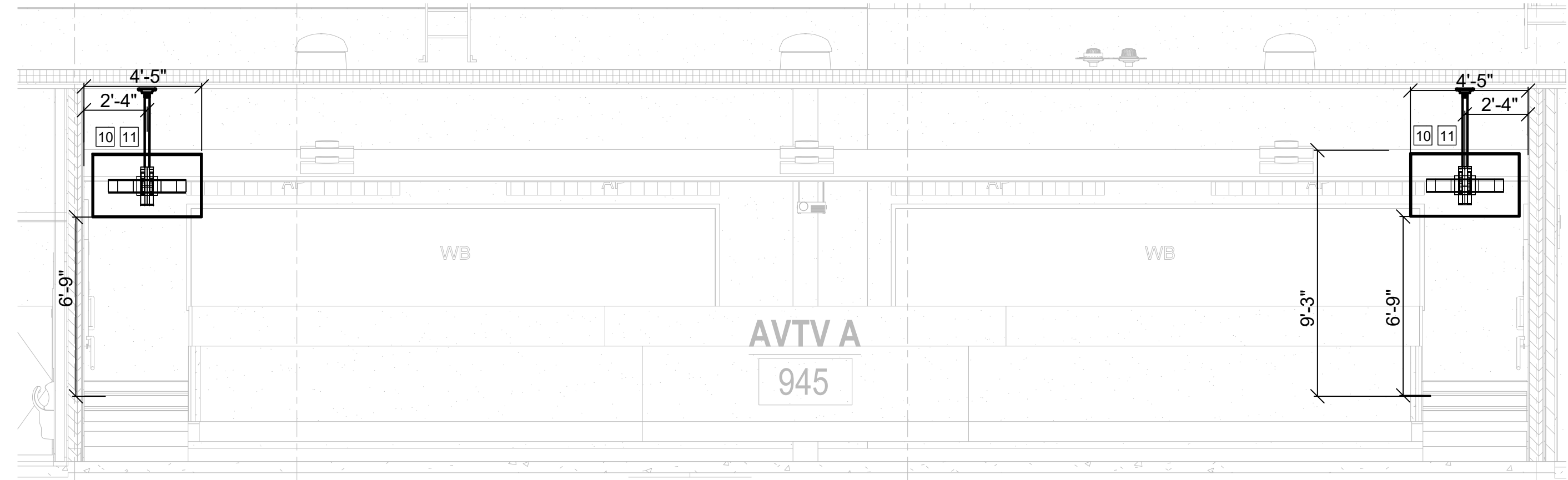
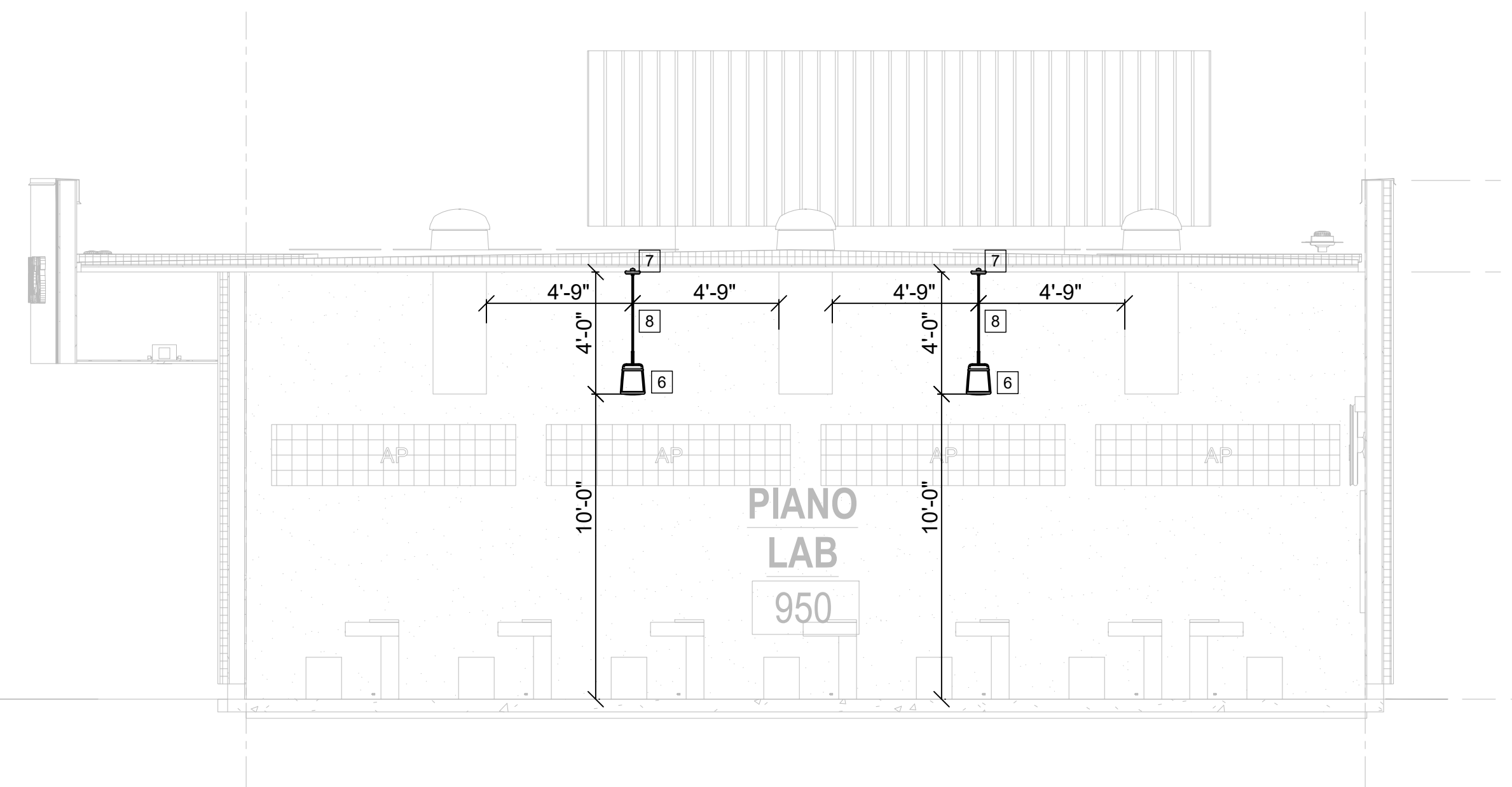
3 SERVERY 902 SOUTH ELEVATION VIEW
SCALE: 1/4"=1'-0"



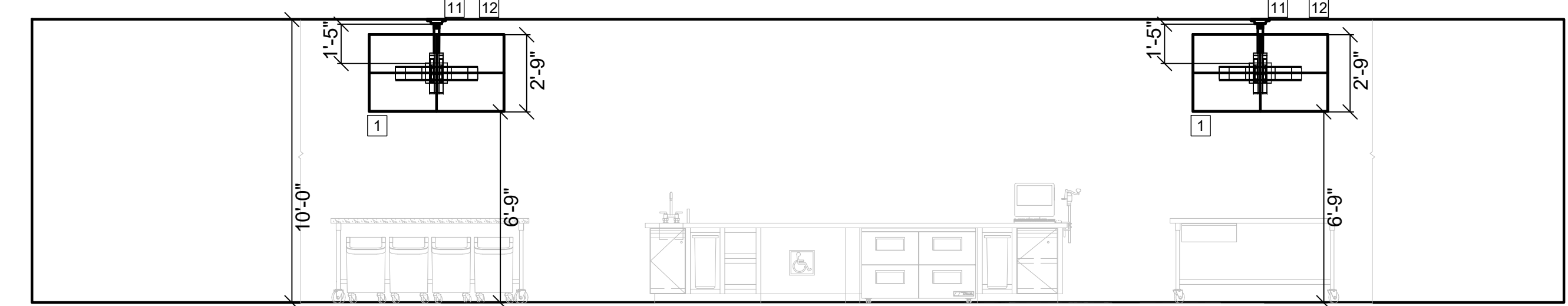
4 MUSIC LAB CLASSROOM 946 NORTH ELEVATION VIEW
SCALE: 1/4"=1'-0"



5 ART LAB & PIANO LAB WEST ELEVATION VIEW
SCALE: 1/4"=1'-0"



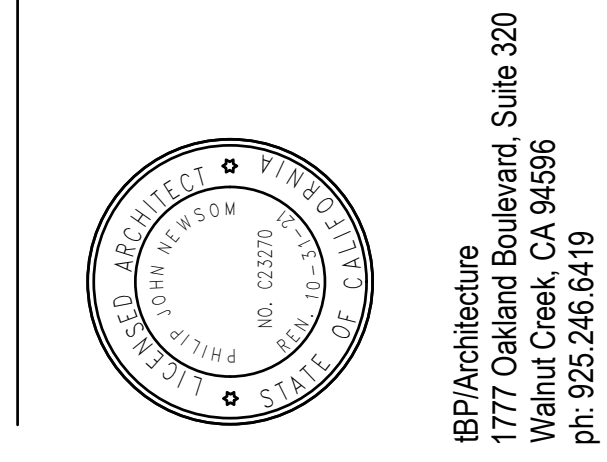
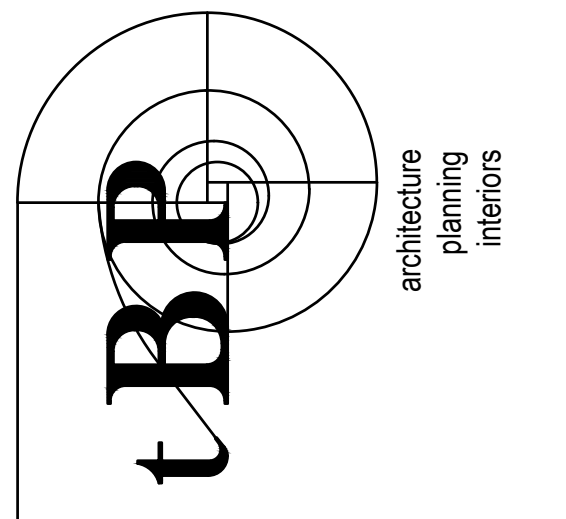
6 TIERED CLASSROOM 945 NORTH ELEVATION VIEW
SCALE: 1/4"=1'-0"



7 CULINARY KITCHEN RM 907 SOUTH ELEVATION VIEW
SCALE: 1/4"=1'-0"

- SHEET NOTES:
- 1 SAMSUNG QM5R 65" DISPLAY (54.9 lbs)
 - 2 ICP06-0X, WALL PANEL & QUAD 120VAC OUTLET
 - 3 CHIEF XTMU MOUNTING BRACKET FOR DISPLAY
 - 4 PROVIDE #8 SMS @ 8"oc FROM PLYWOOD TO EACH STUD. MIN (2) SCREWS PER STUD. MIN (3) STUDS. USE 1/2" PLYWOOD BACKING TO SUPPORT DISPLAY
 - 5 ICP03-0X, AUDIO LEVEL WALL PANEL
 - 6 EXTRON SP 26PT PENDANT SPEAKER
 - 7 EXTRON SMK C SF 26PT CEILING MOUNT
 - 8 EXTRON PCC-2 18 / 500 PENDENT 18 AWG SPEAKER AND TWO INTEGRATED STEEL SUPPORT CABLES
 - 9 SPEAKERS MOUNTED IN-BETWEEN SOLAR TUBES SEE AV-205, RCP, FOR SPEAKER LAYOUT
 - 10 SAMSUNG QM5R 55" DISPLAY (39.9 lbs)
 - 11 CHIEF CPA LCM1U CEILING MOUNTING BRACKET FOR DISPLAY. CHIEF CPA 330 CEILING PLATE. CHIEF CPA PIN CONNECTION COLUMN 1.5". SEE DRAWING 9/A912 FOR MOUNTING DETAILS
 - 12 MONITORS MOUNTED ABOVE KITCHEN EQUIPMENT.
 - 14 EXTRON SM28T, SEE 5/AV615 FOR MOUNTING DETAILS
 - 15 EXTRON SF 10C SUBWOOFER SEE 8/AV615 FOR MOUNTING DETAILS
 - 16 GSC Uhd86-BT BLUETOOTH

DSA Application #02-118286
DSA File #58-C1



AV SYSTEM CONSULTANT:
A+G Andrew Design Group, Inc.
A/V Consulting and Engineering
Andrew Design Group, Inc.
626-744-9358
adg@AndrewDesign.com
www.AndrewDesign.com

WOODLAND COMMUNITY COLLEGE
PERFORMING ARTS/
CULINARY SERVICES
FACILITY
2300 E. GIBSON RD., WOODLAND, CA 95776
YUBA COMMUNITY COLLEGE DISTRICT

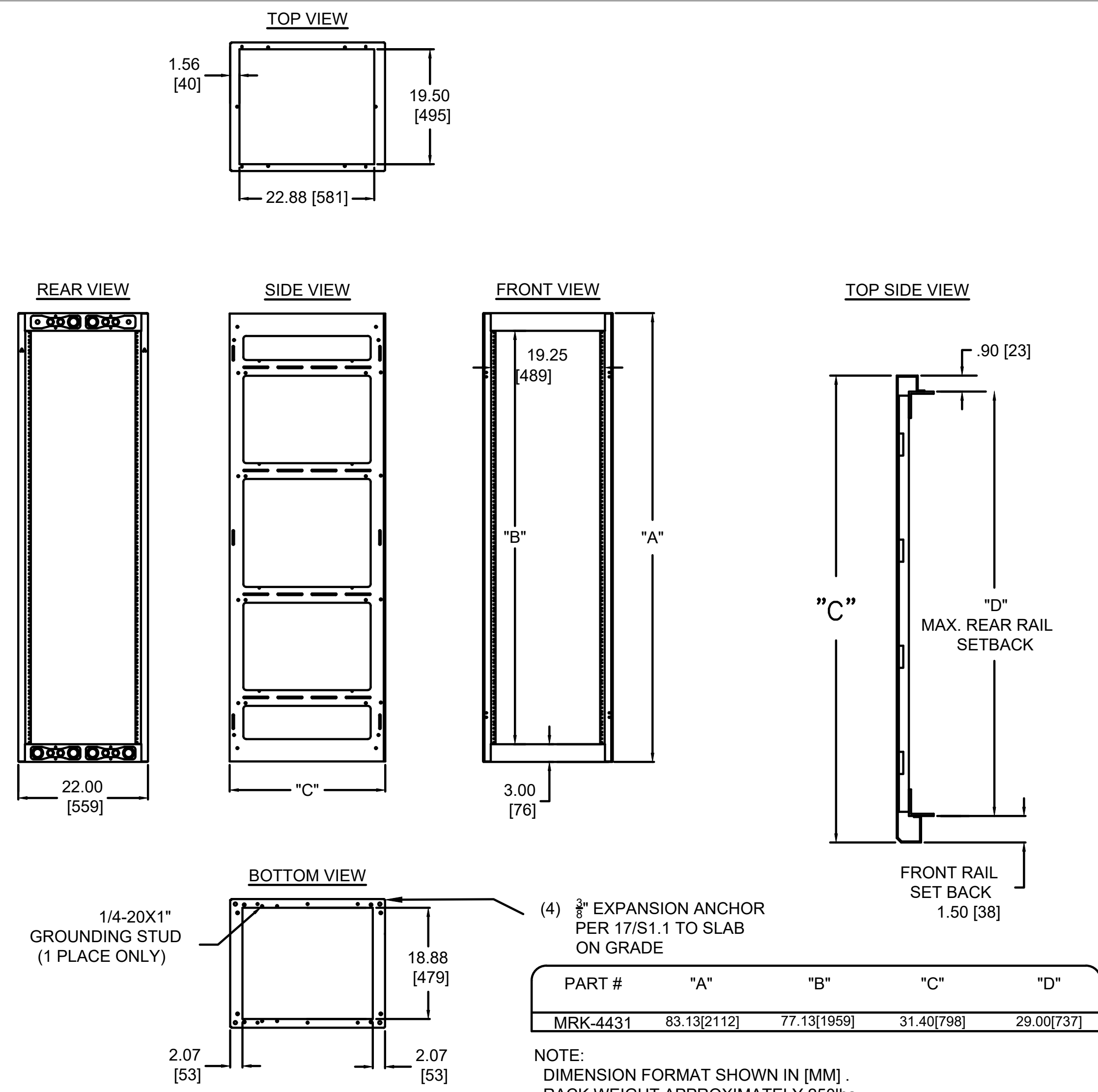
owner

tBP project number:	22039.00	
file name:		
drawn by:	checked by:	
date:	Issue Date	MAY 17, 2021
rev.	date:	description:
	05/17/2021	BID SET
	12/23/2021	ADDENDUM #4
	DELTA A17 12/12/2022	ASI 17
	FFE 05/30/2023	FF&E UPDATE

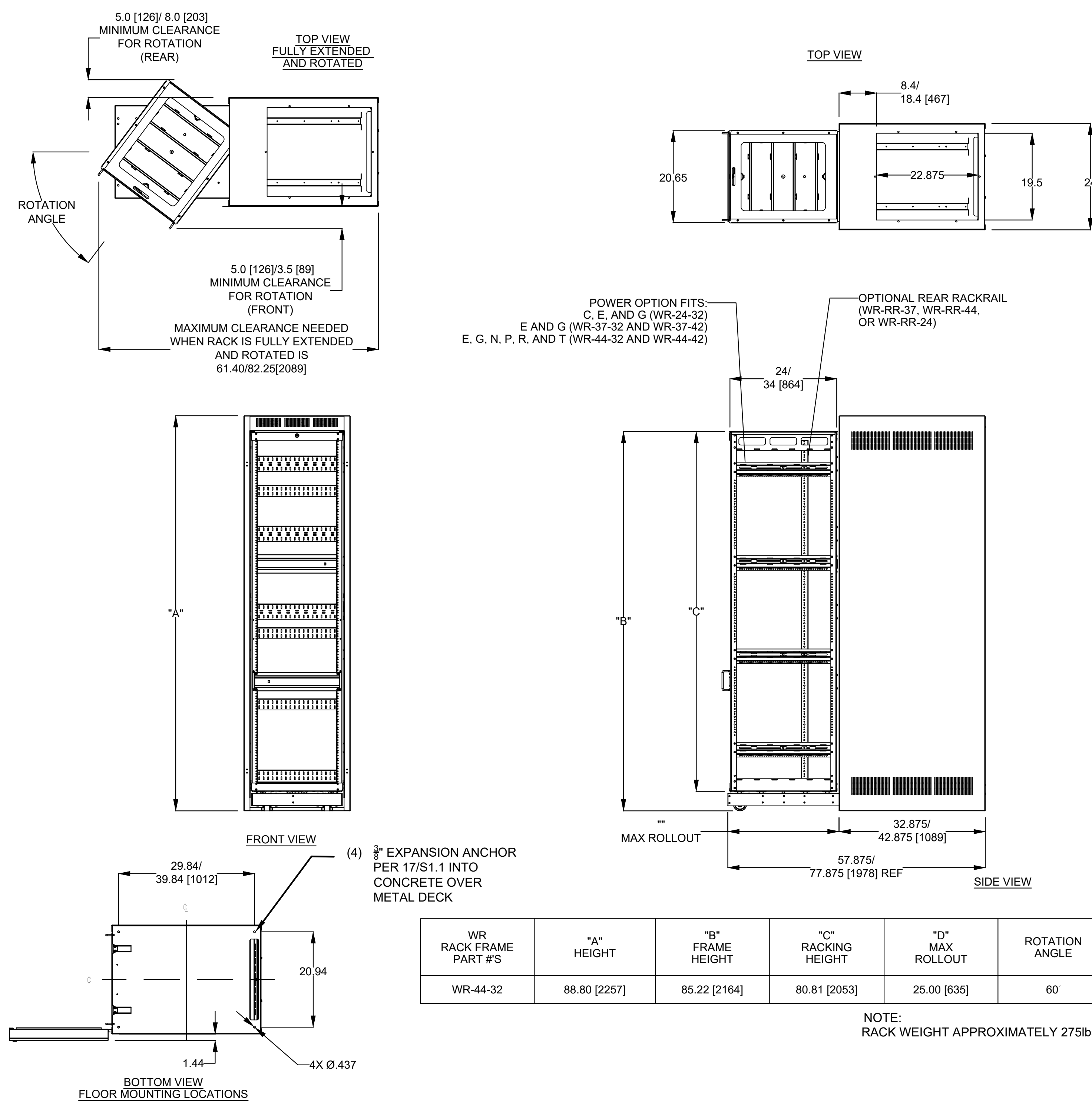
THIS DRAWING AND THE DESIGN, SPECIFICATIONS, IDEAS AND OTHER INFORMATION CONTAINED HEREIN CONSTITUTE UNPUBLISHED WORK OF ARCHITECTURE AND SHALL REMAIN PROPERTY OF ARCHITECTURE IN PROPRIETY. NO PART HEREOF SHALL BE REPRODUCED, DISCLOSED, DISTRIBUTED, COPIED, PUBLISHED OR OTHERWISE USED IN ANY MANNER WITHOUT THE EXPRESS WRITTEN CONSENT OF ARCHITECTURE.

drawing title:
AV SYSTEMS
VIDEO DISPLAY DETAILS
INSTRUCTIONAL KITCHEN
drawing no.:
AV-613

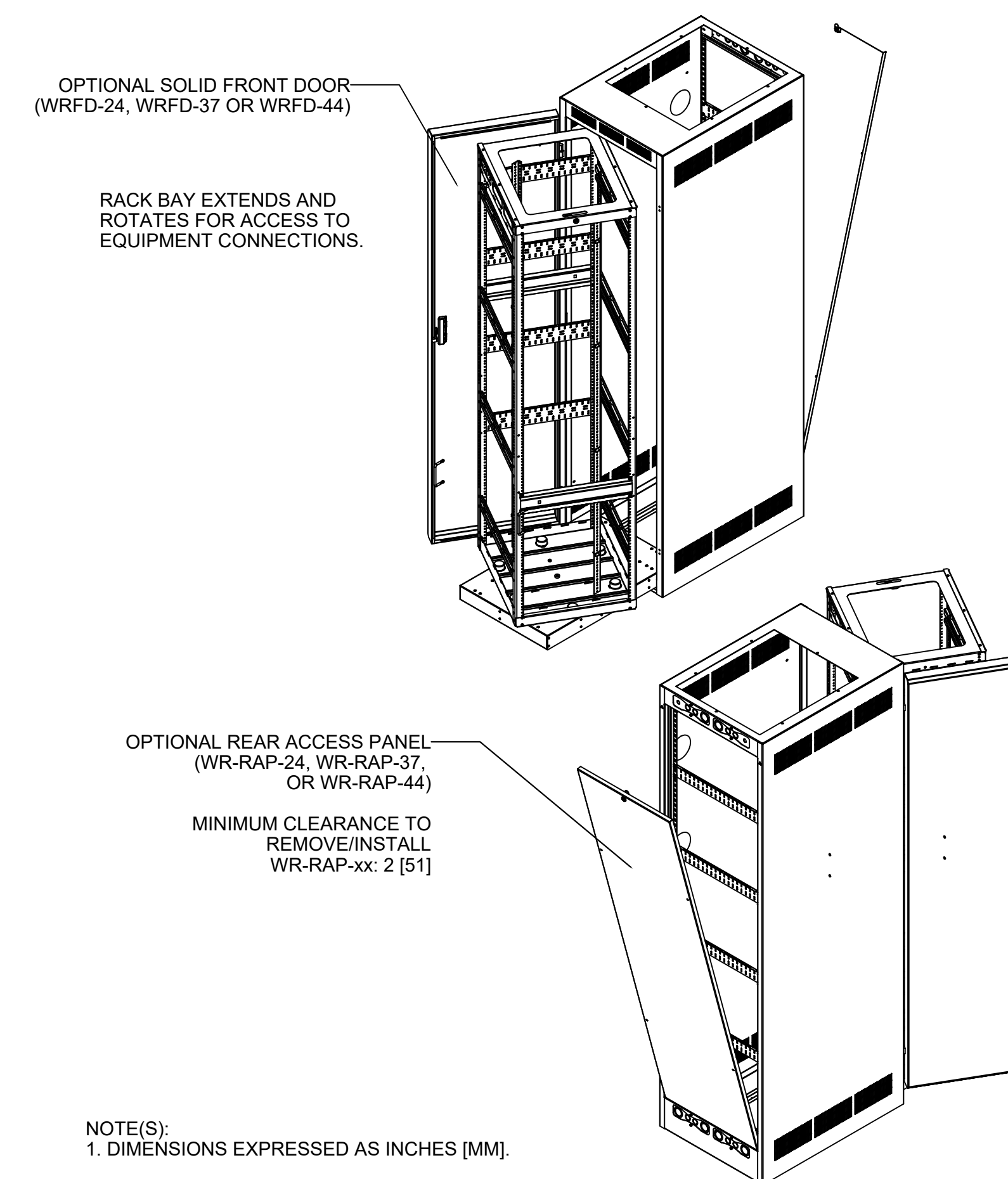
drawing of



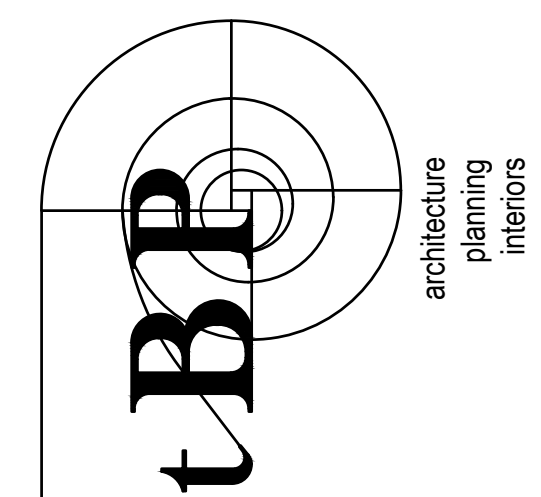
1 EQUIPMENT RACK, MIDDLE ATLANTIC MRK-4431
SCALE: 3/4"=1'-0"



2 EQUIPMENT RACK, MIDDLE ATLANTIC WR-44-32
SCALE: 3/4"=1'-0"



DSA Application #02-118286
DSA File #58-C1



1777 Oakland Boulevard, Suite 320
Walnut Creek, CA 94596
ph. 925.246.6419



Andrew Design Group, Inc.
626-744-9358
adg@AndrewDesign.com
www.AndrewDesign.com

WOODLAND COMMUNITY COLLEGE
PERFORMING ARTS/
CULINARY SERVICES
FACILITY
2300 E. GIBSON RD., WOODLAND, CA 95776
YUBA COMMUNITY COLLEGE DISTRICT

tBP project number: 22039.00

file name:

drawn by: checked by:

date: Issue Date MAY 17, 2021

rev. date: description:

05/17/2021 BID SET

12/23/2021 ADDENDUM #4

DELTA A17 12/12/2022 ASI 17

FFE 05/30/2023 F&E UPDATE

THIS DRAWING AND THE DESIGN, SPECIFICATIONS, IDEAS AND OTHER INFORMATION CONTAINED HEREIN CONSTITUTE UNPUBLISHED WORK OF ARCHITECTURE AND SHALL REMAIN PROPERTY OF ARCHITECTURE IN PERPETUITY. NO PART THEREOF SHALL BE REPRODUCED, DISCLOSED, DISTRIBUTED, COPIED, PUBLISHED OR OTHERWISE USED IN ANY MANNER WITHOUT THE EXPRESS WRITTEN CONSENT OF ARCHITECTURE.

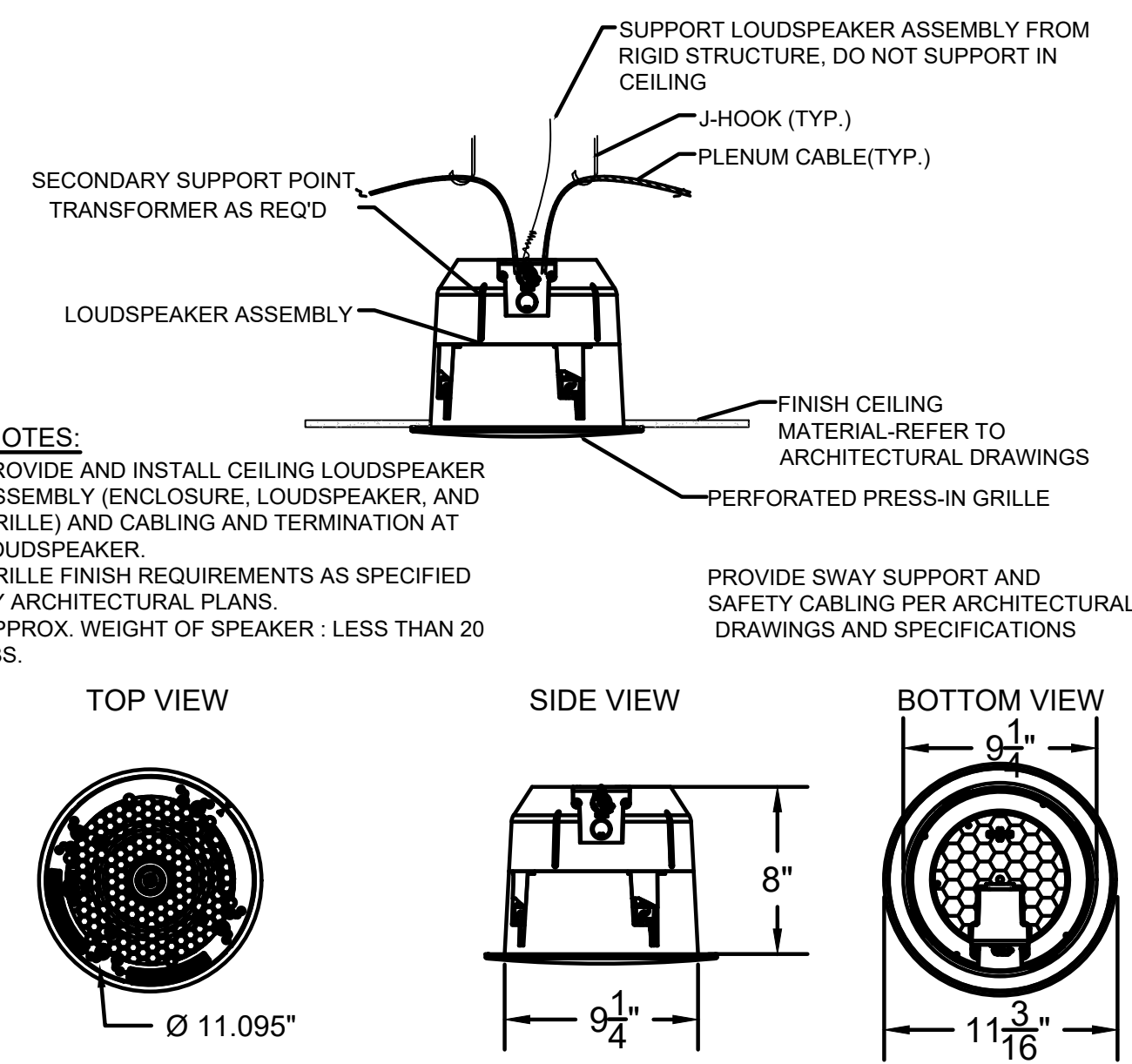
drawing title:

AV SYSTEM
EQUIPMENT DETAILS

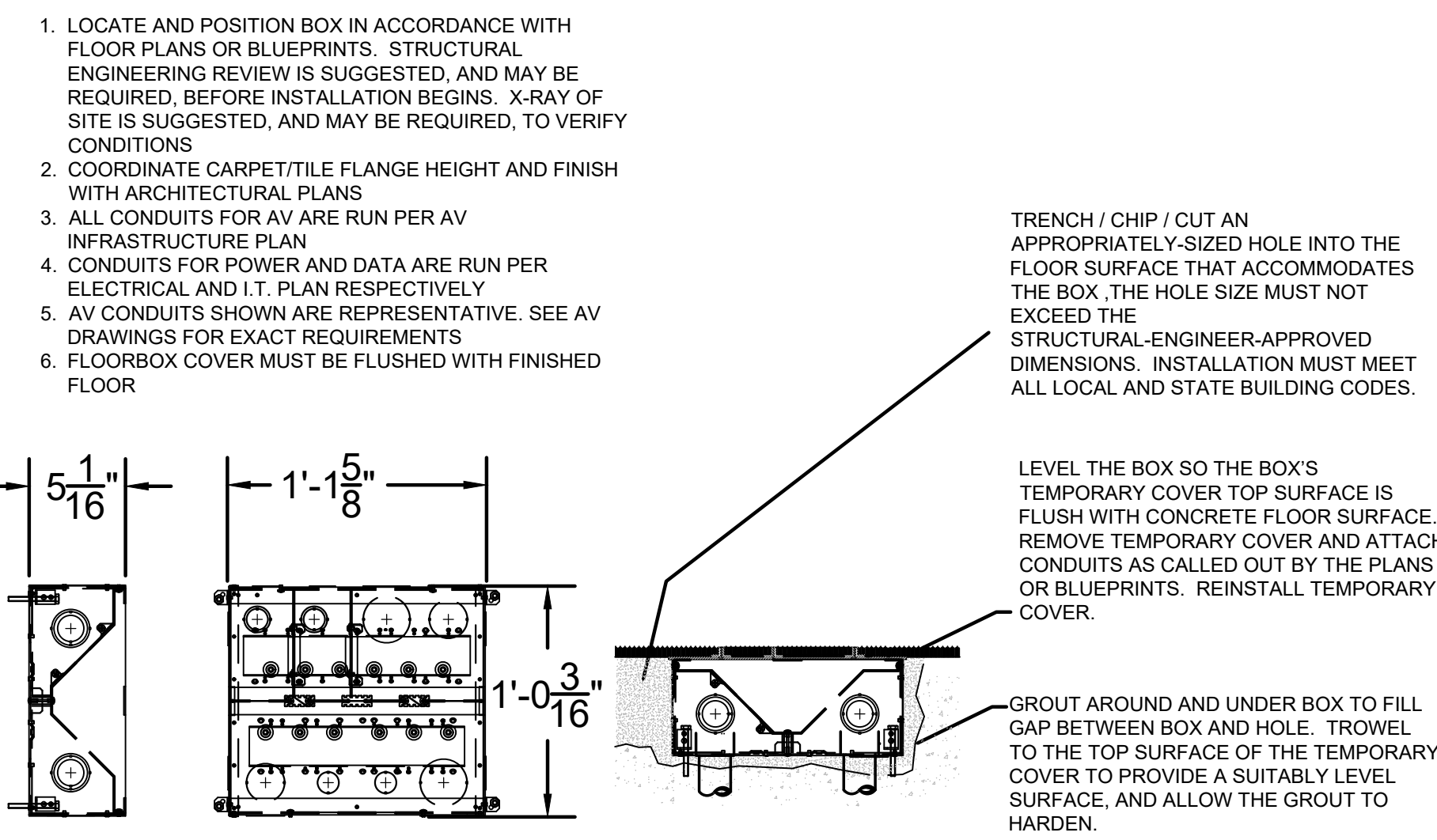
drawing no.:

AV-614

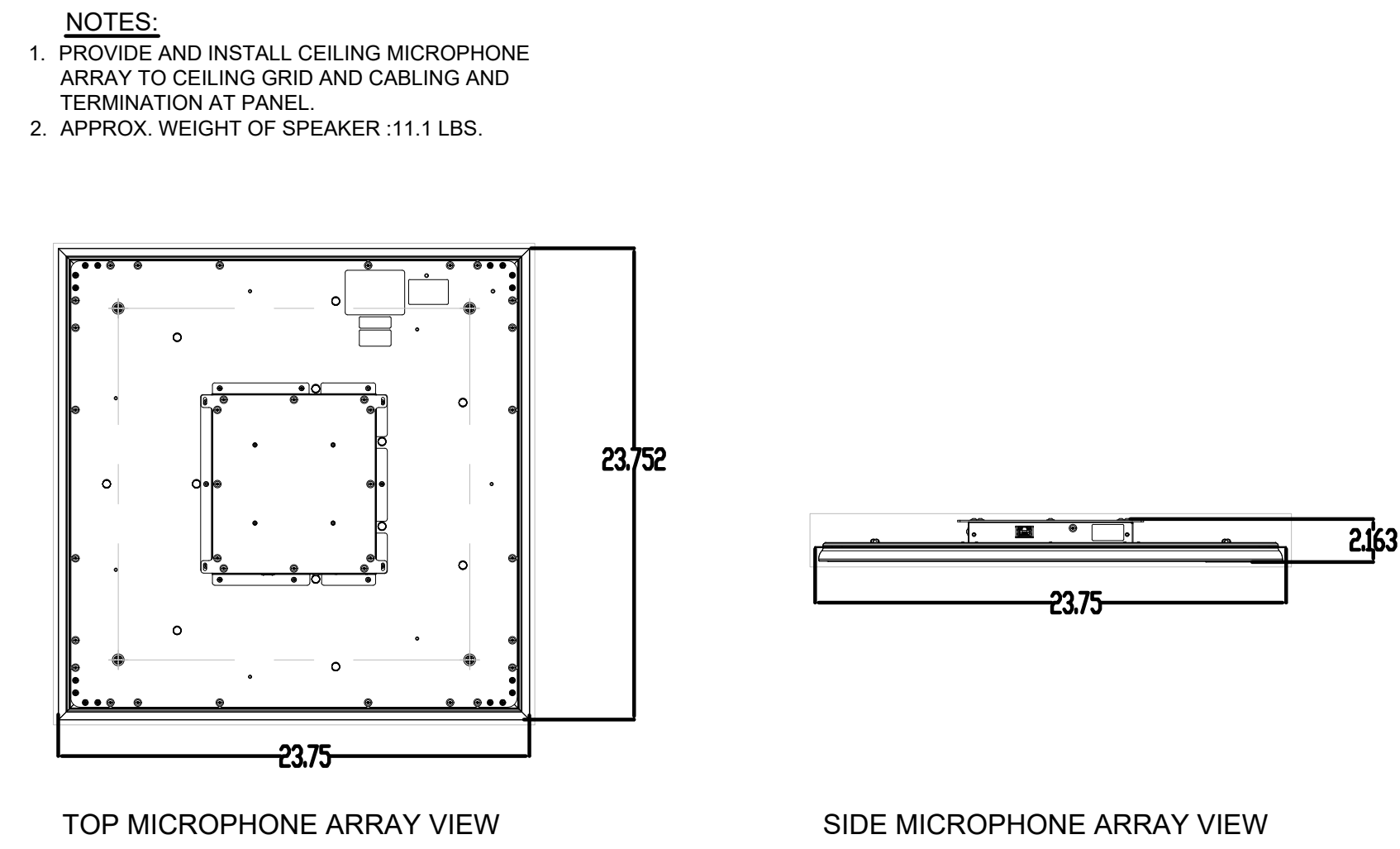
drawing of



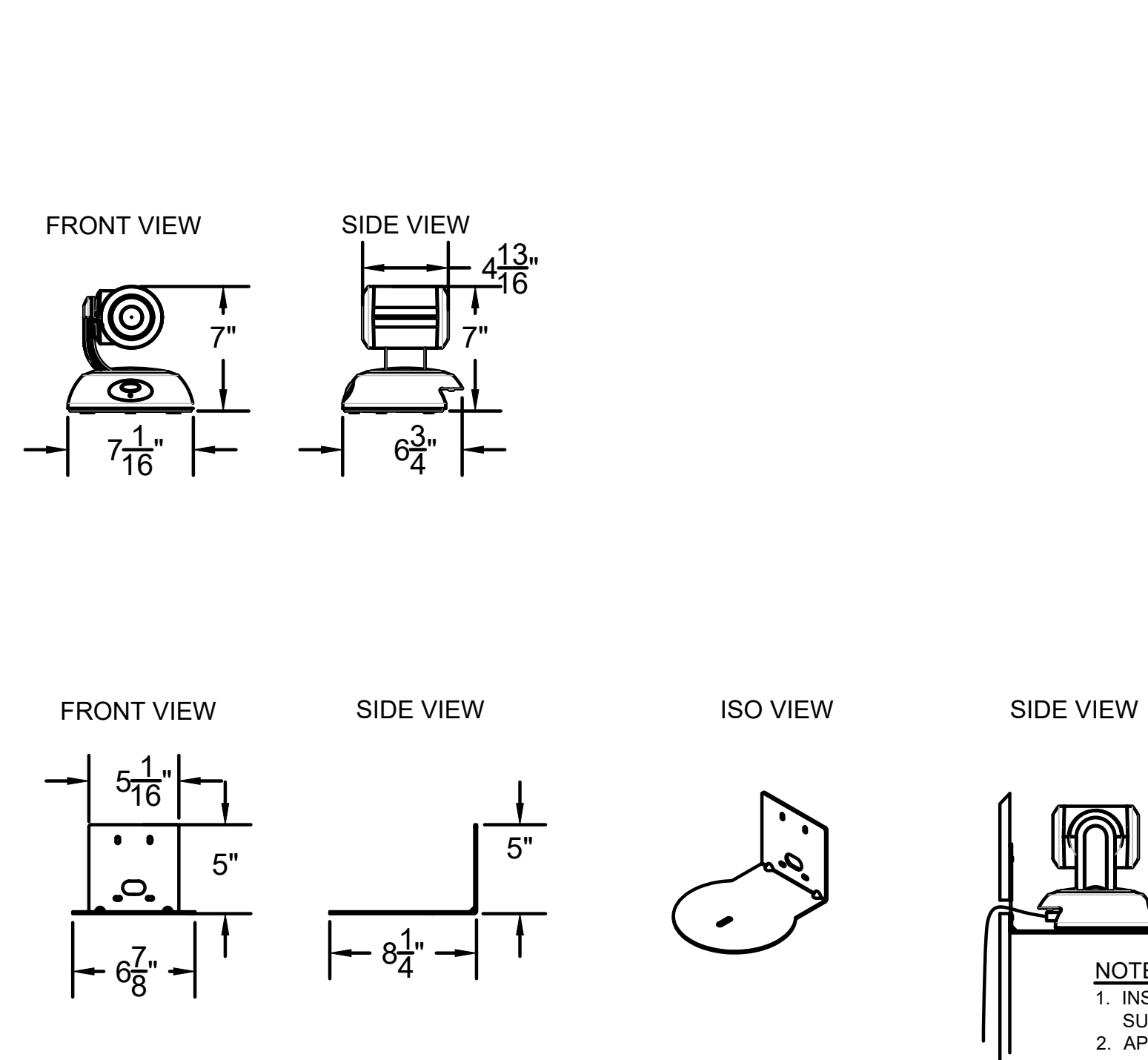
1 CEILING SPEAKER SPK04 - EXTRON SF 26CT
 SCALE: 1 1/2"=1'-0"



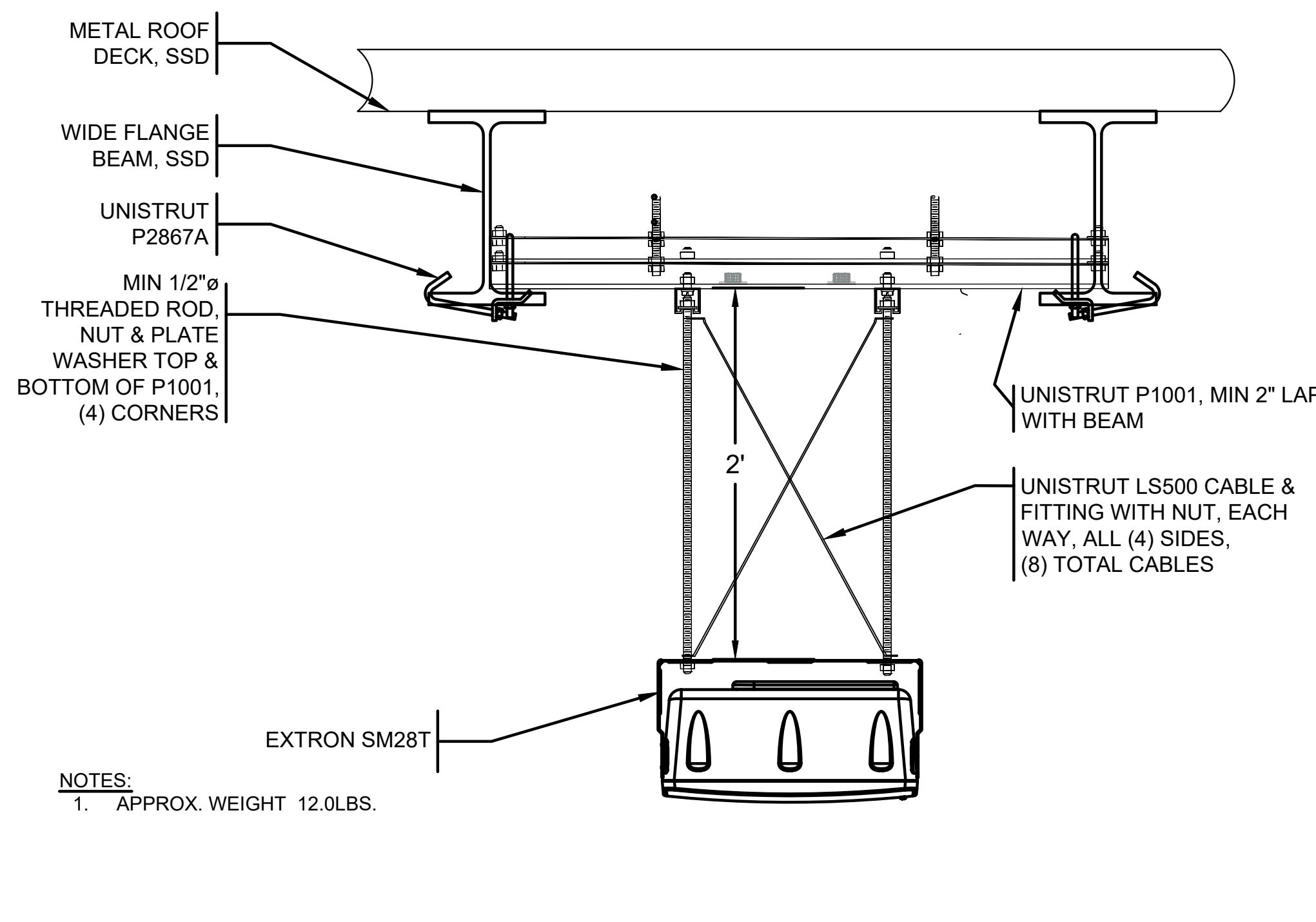
2 FLOOR BOX SIDE AND TOP VIEW, FSR FL-600P-5
 SCALE: 1 1/2"=1'-0"



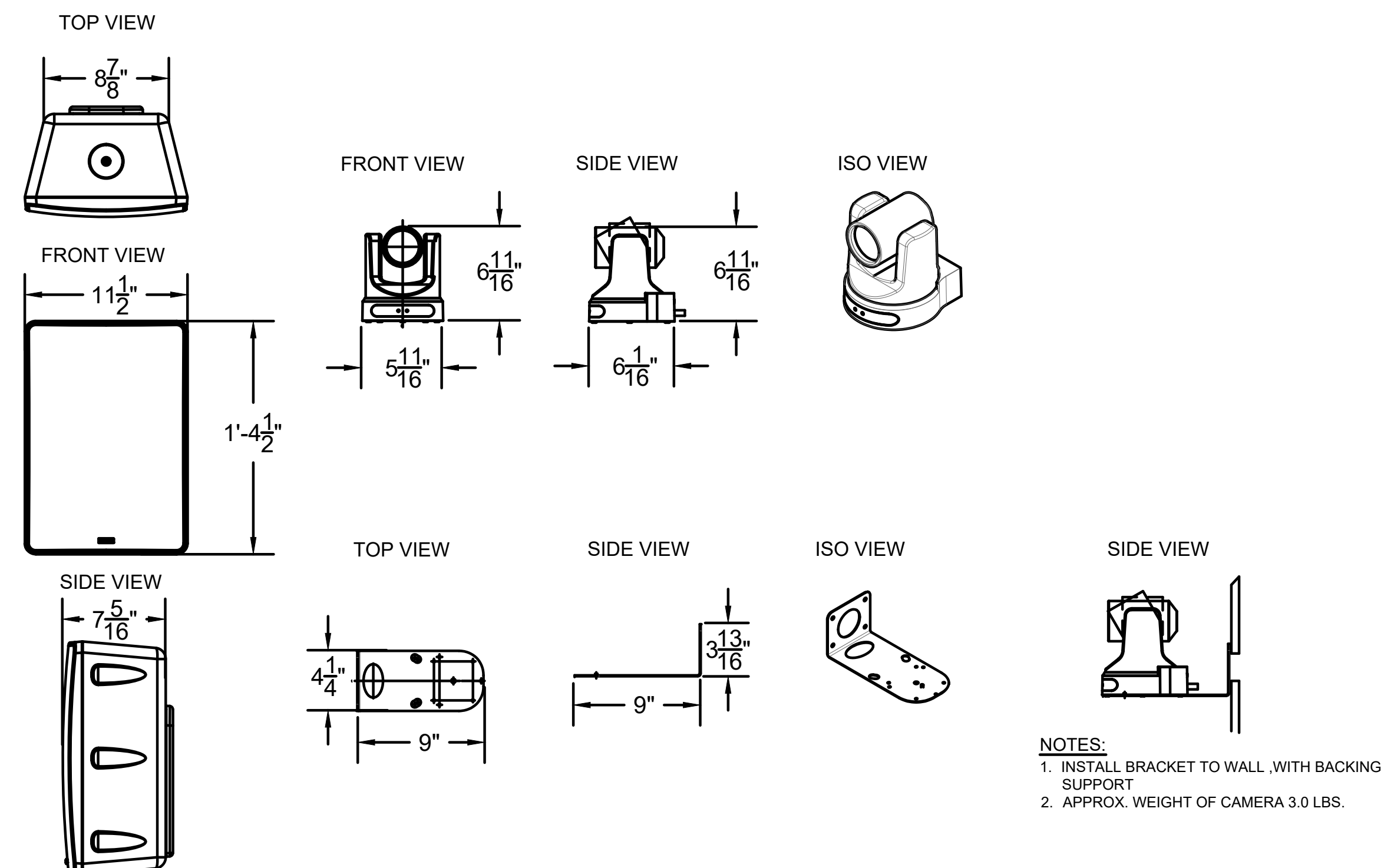
3 CEILING MICROPHONE ARRAY CMA01 - SHURE MXA910
 SCALE: 1 1/2"=1'-0"



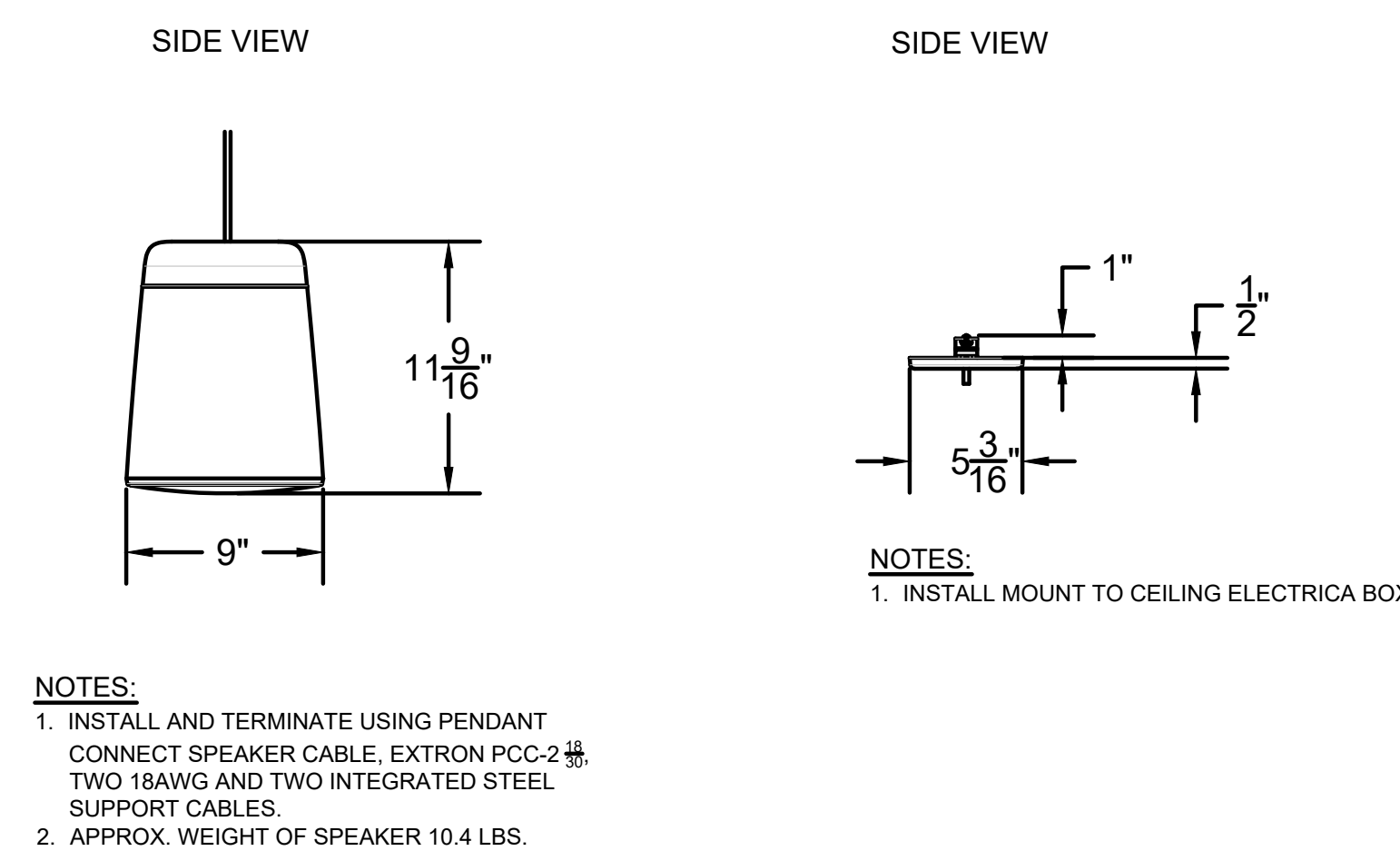
4 THEATER CAMERA CAM01 - VADDIO ROBOSHOT 30E HDBT & MOUNT
 SCALE: 1 1/2"=1'-0"



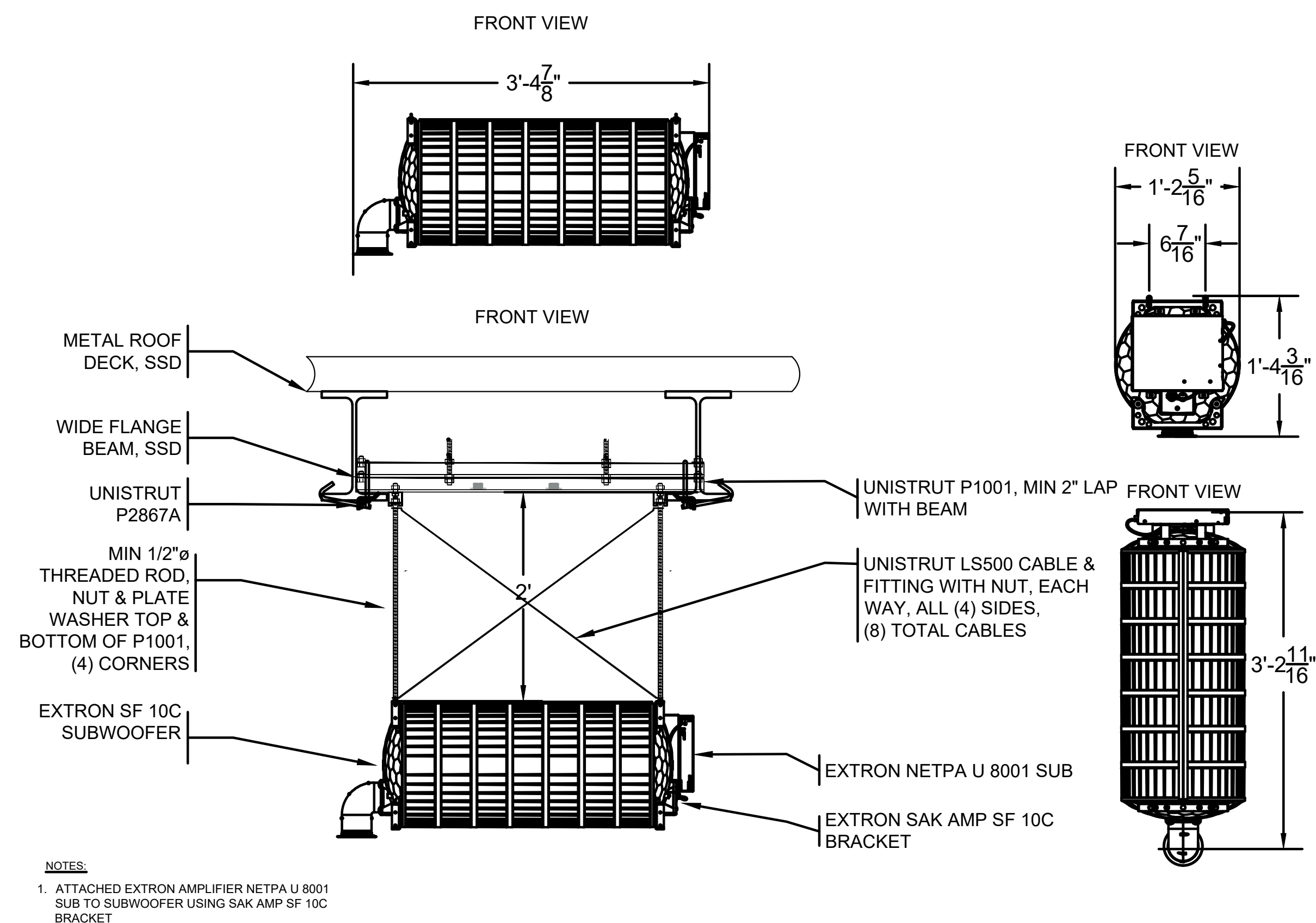
5 CEILING SPEAKER SPK06 - EXTRON SM28T
 SCALE: 1 1/2"=1'-0"



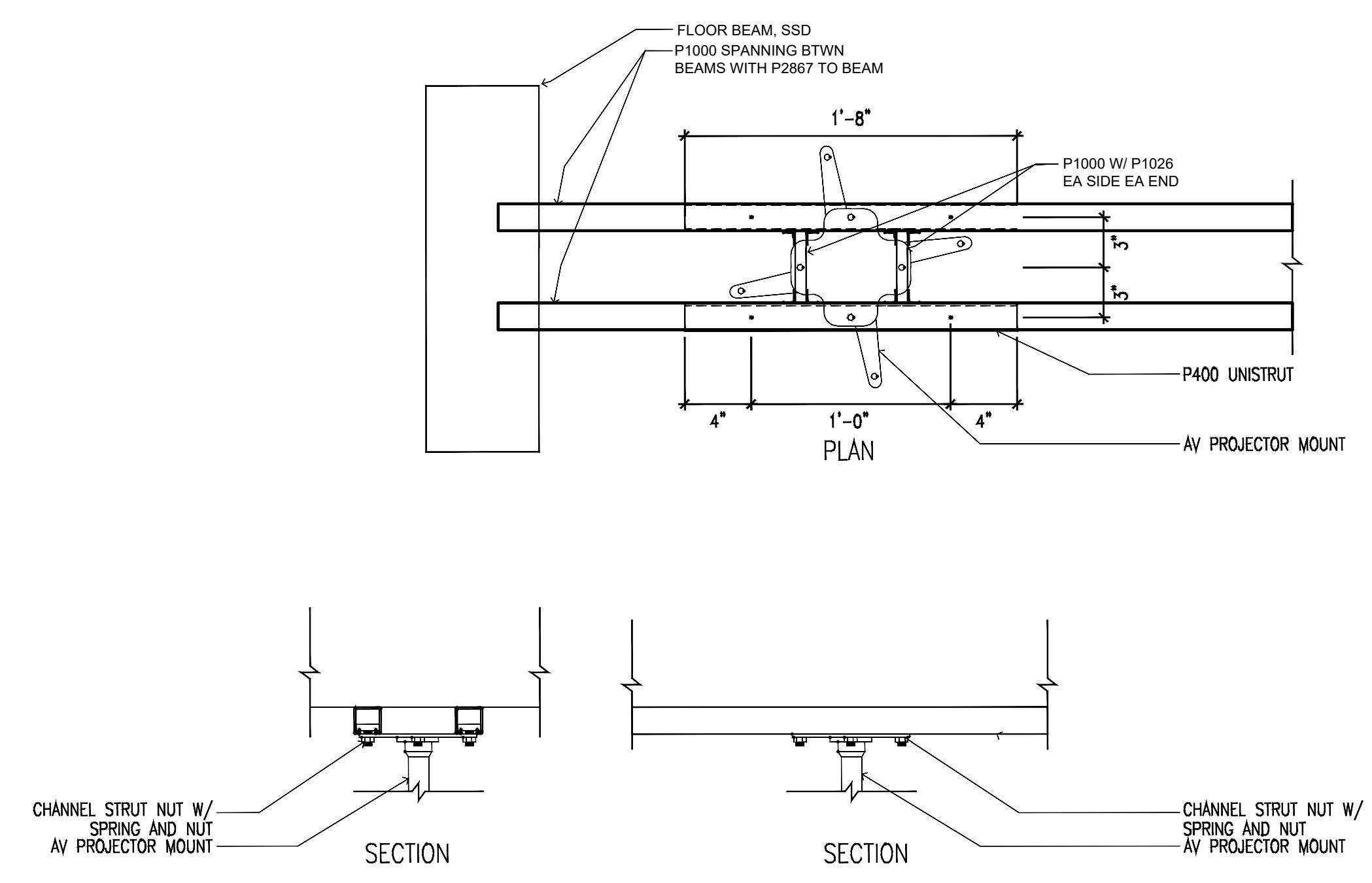
6 CLASSROOM CAMERA CAM02 - QSC PTZ-IP 12X72
 SCALE: 1 1/2"=1'-0"



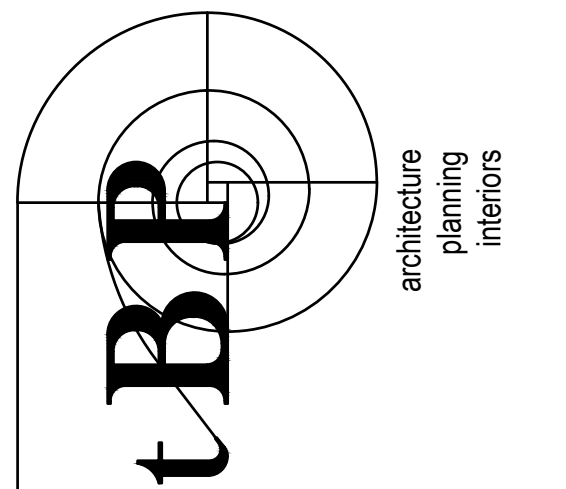
7 PENDANT SPEAKER SPK05 - EXTRON SF 26PT
 SCALE: 1 1/2"=1'-0"



8 CEILING SUBWOOFER SPK07 - EXTRON SF 10C SUBWOOFER
 SCALE: 1"=1'-0"



9 THEATER PROJECTOR MOUNTING DETAIL
 SCALE: 1/2"=1'-0"



BDP/Architecture
 1777 Oakland Boulevard, Suite 320
 Walnut Creek, CA 94596
 ph. 925.246.6419



AV SYSTEM CONSULTANT:
 Andrew Design Group, Inc.
 625-744-9358
 adg@AndrewDesign.com
 www.AndrewDesign.com

WOODLAND COMMUNITY COLLEGE
 PERFORMING ARTS/
 CULINARY SERVICES
 FACILITY
 2300 E. GIBSON RD., WOODLAND, CA 95776
 YUBA COMMUNITY COLLEGE DISTRICT

owner: BDP project number: 22039.00

file name:

drawn by: checked by:

date: Issue Date MAY 17, 2021

rev. date: description:

05/17/2021 BID SET

12/23/2021 ADDENDUM #4

DELTA A17 12/12/2022 ASI 17

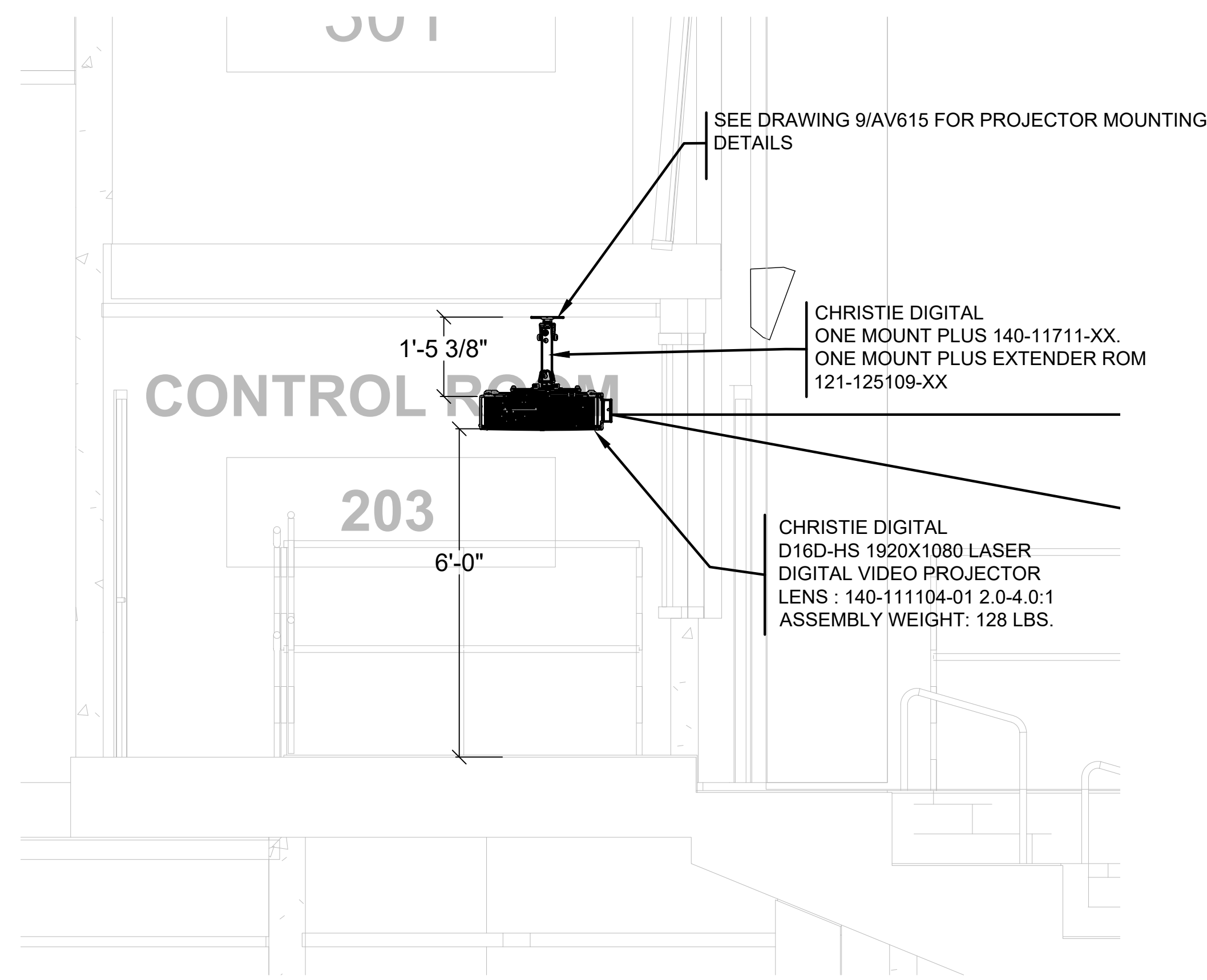
FFE 05/30/2023 FF&E UPDATE

THIS DRAWING AND THE DESIGN, SPECIFICATIONS, IDEAS AND OTHER INFORMATION CONTAINED HEREIN CONSTITUTE UNPUBLISHED WORK OF ARCHITECTURE AND SHALL REMAIN PROPERTY OF ARCHITECTURE IN PROPRIETY. NO PART THEREOF SHALL BE REPRODUCED, DISCLOSED, DISTRIBUTED, SOLD, PUBLISHED OR OTHERWISE USED IN ANY MANNER WITHOUT THE ADVANCED EXPRESS WRITTEN CONSENT OF ARCHITECTURE.

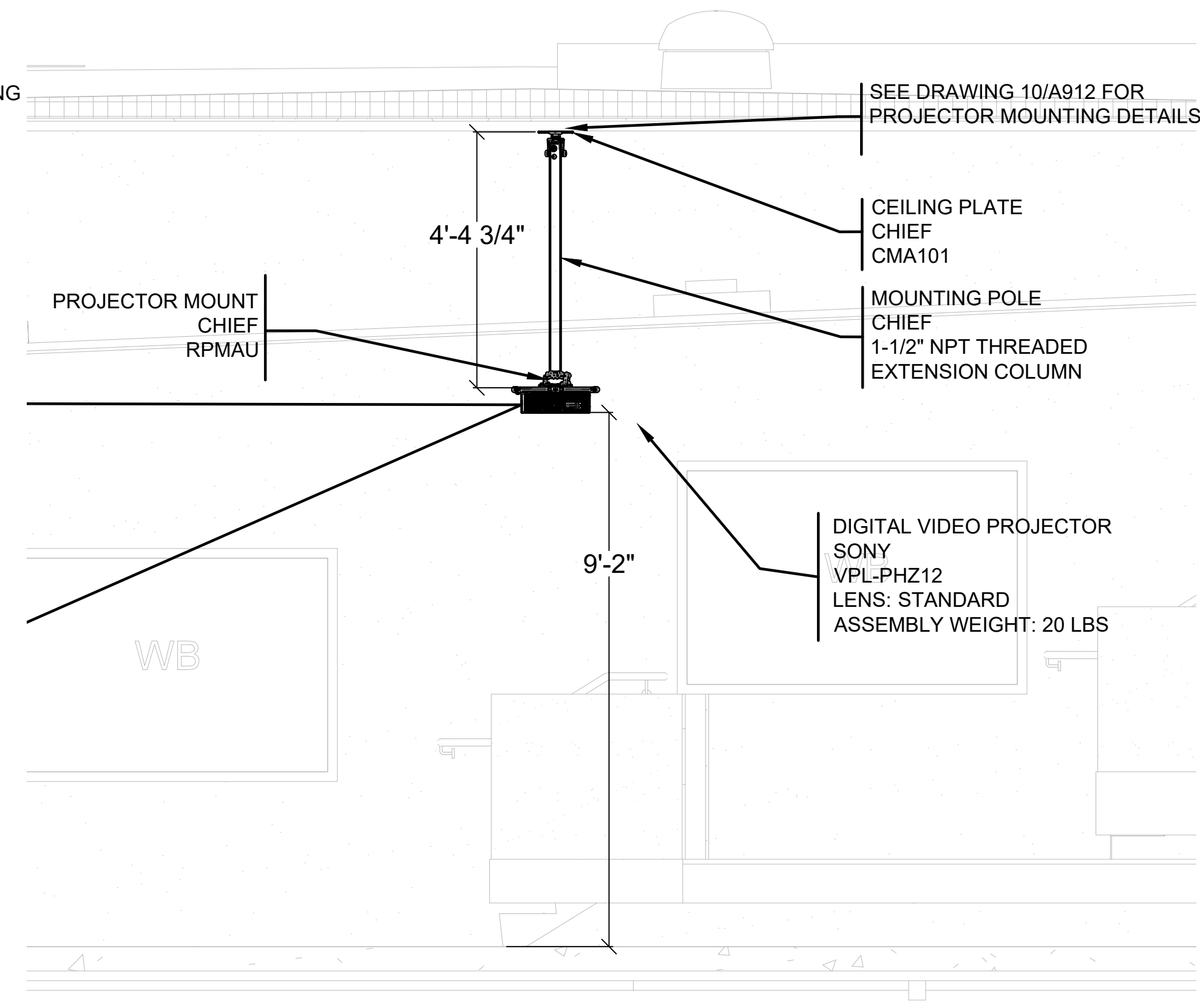
drawing title:
 AV SYSTEM EQUIPMENT DETAILS

drawing no.:
 AV-615

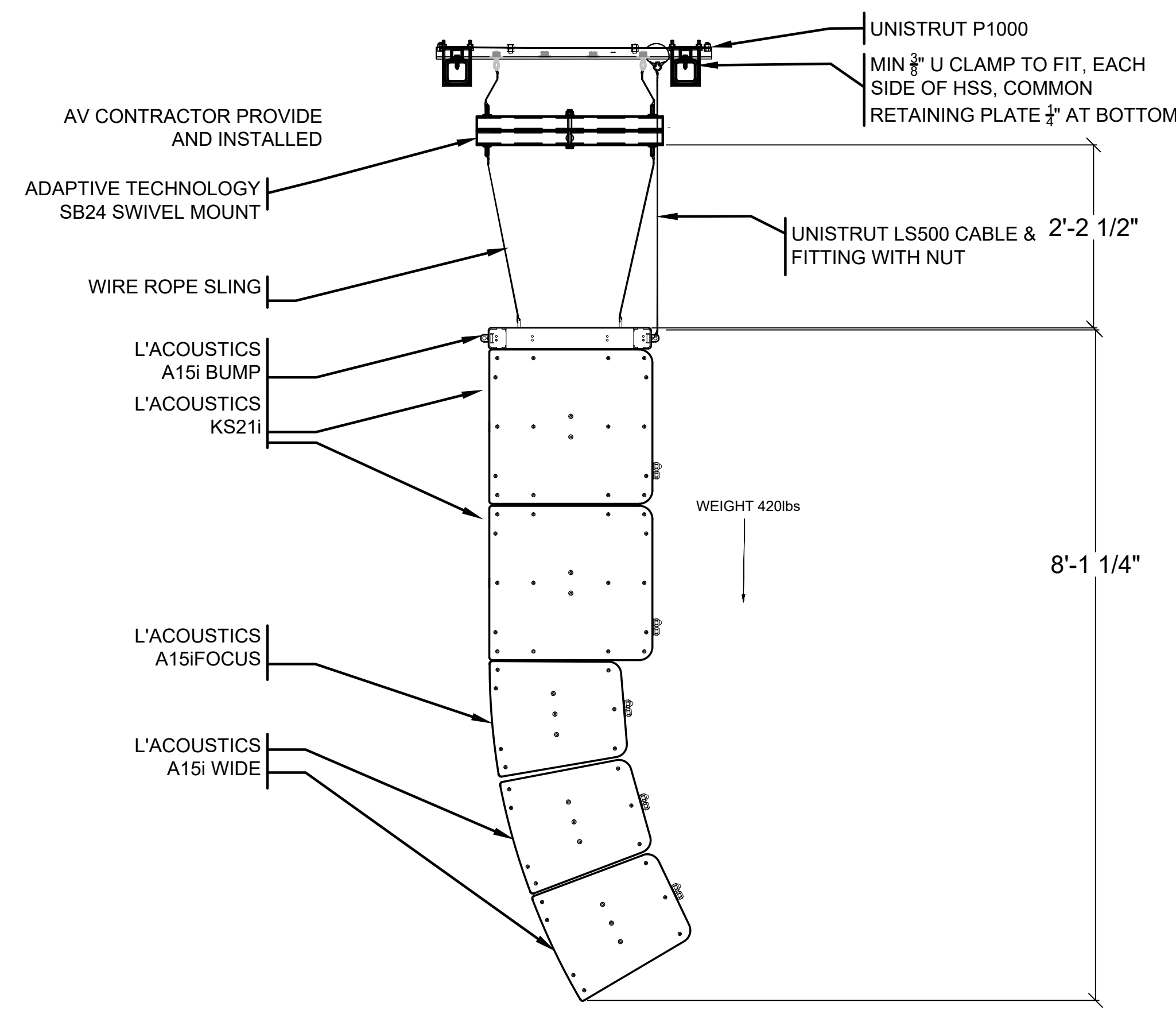
drawing of



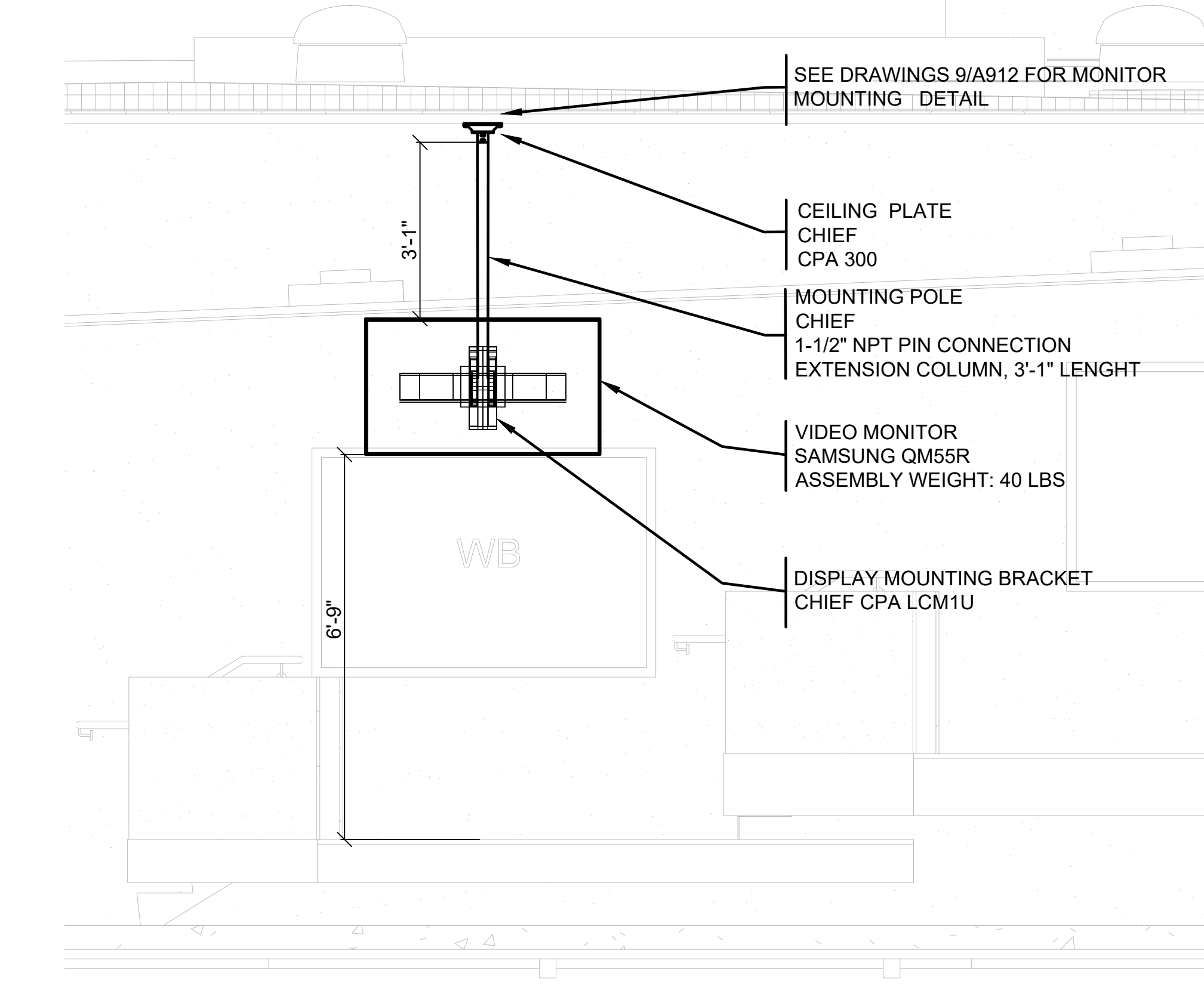
1 THEATER PROJECTOR SIDE VIEW
SCALE: 1/2"=1'-0"



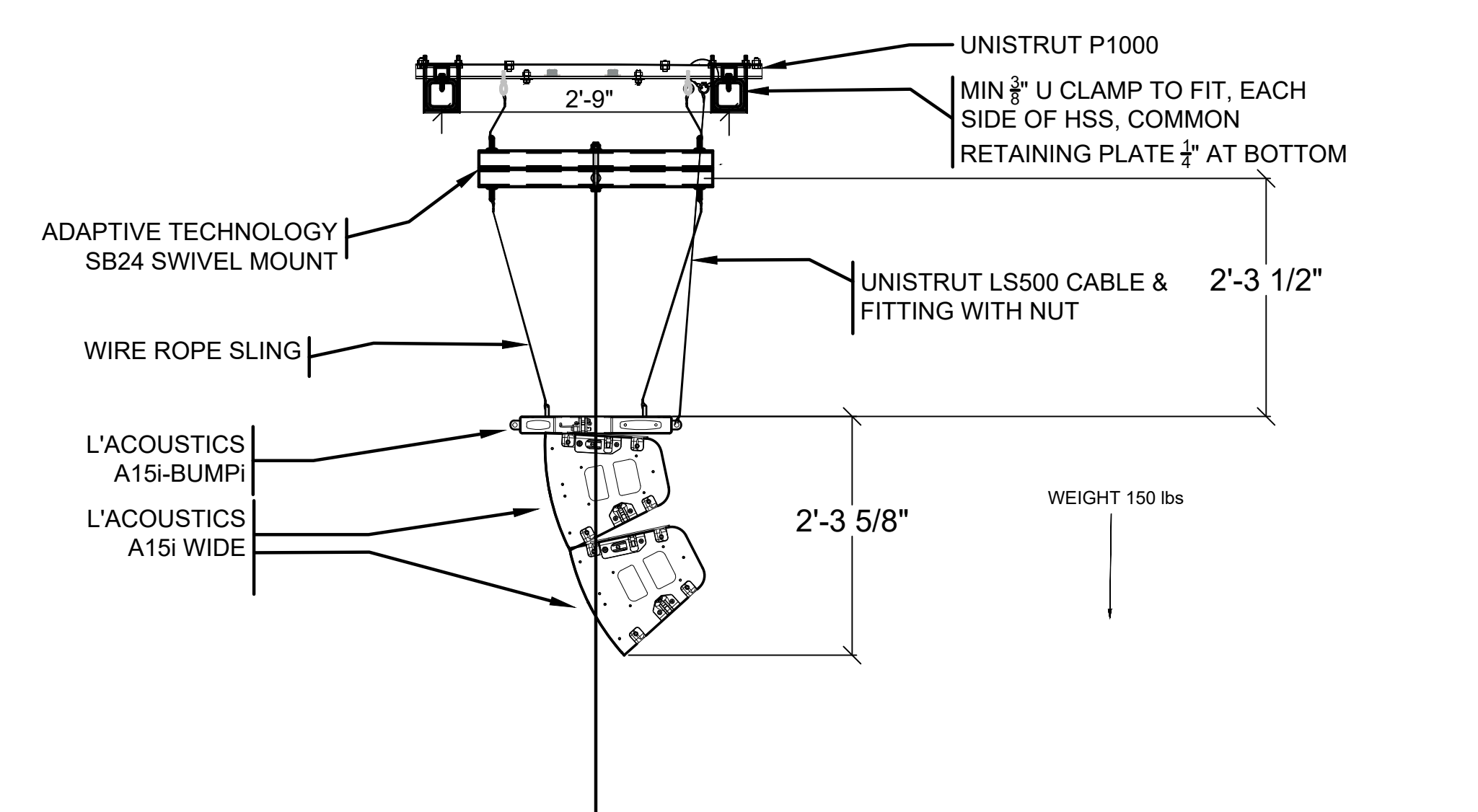
2 CLASSROOM 945 PROJECTOR SIDE VIEW, TYPICAL OF ALL CLASSROOMS
SCALE: 1/2"=1'-0"



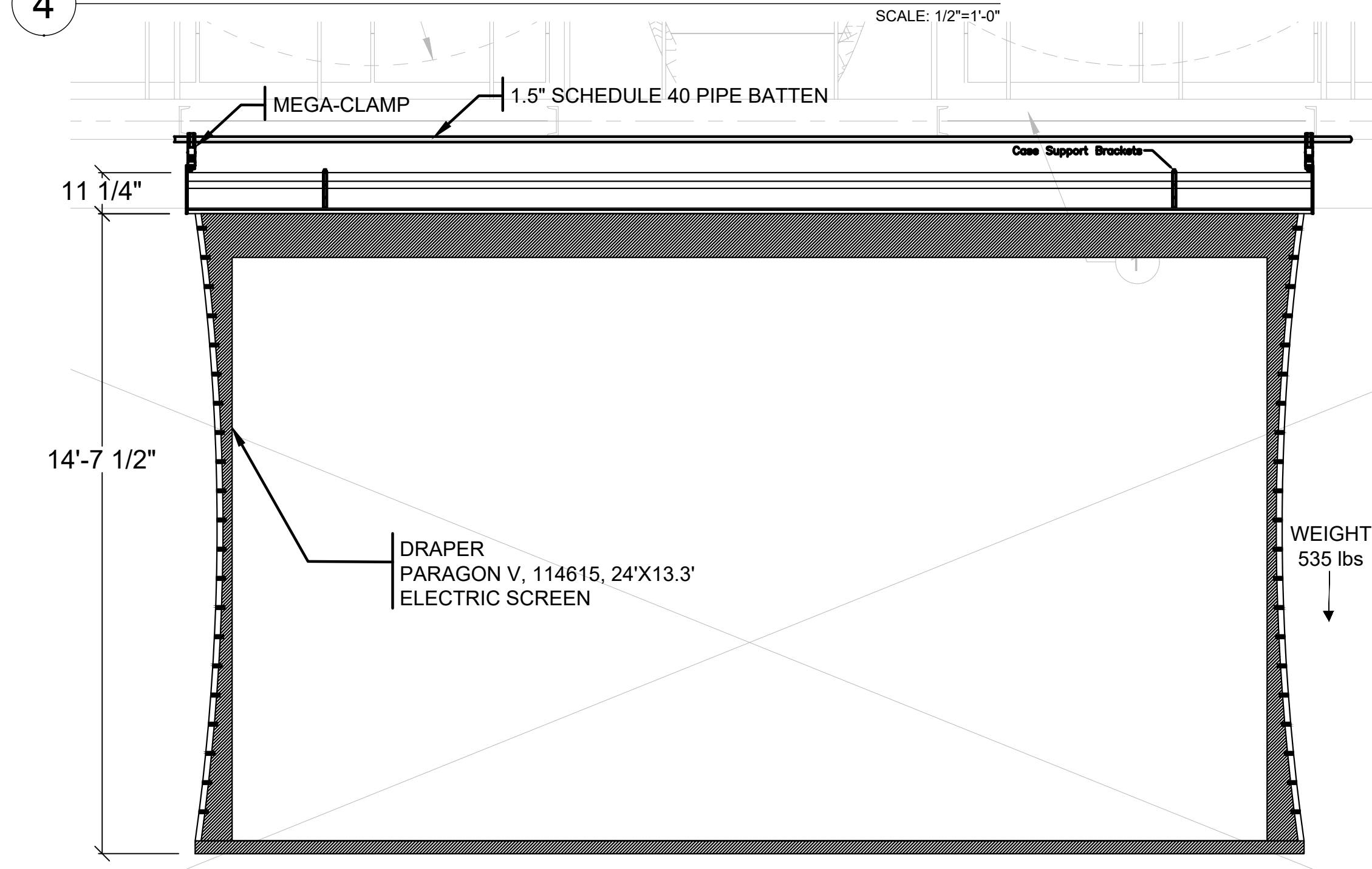
3 THEATER LINE ARRAY - L'ACOUSTICS A10i WIDE/FOCUS MOUNT
SCALE: 3/4"=1'-0"



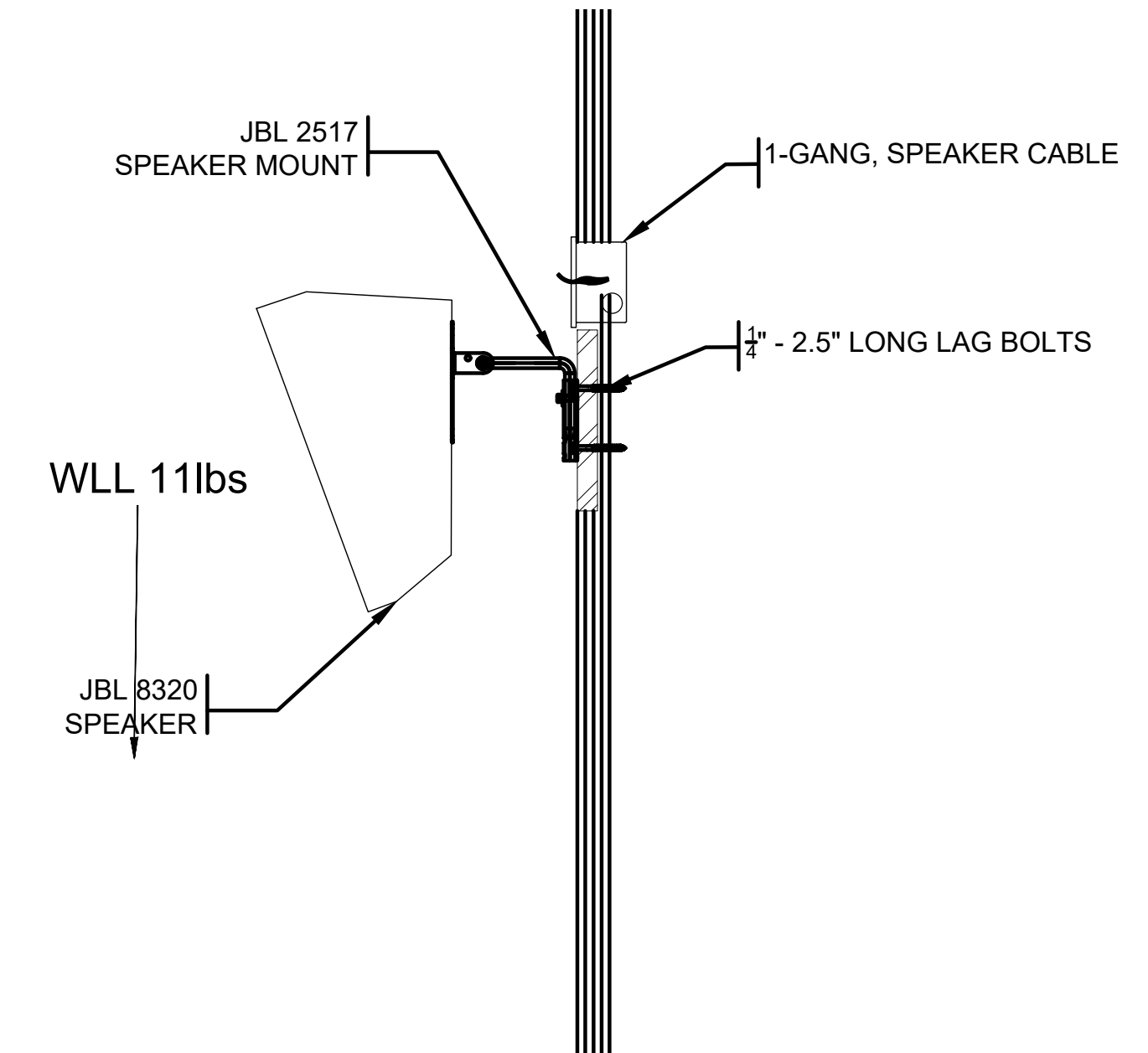
4 CLASSROOM 945 & 907 MONITOR SIDE VIEW
SCALE: 1/2"=1'-0"



5 THEATER CENTER LINE ARRAY - L'ACOUSTICS A15i WIDE MOUNT
SCALE: 3/4"=1'-0"

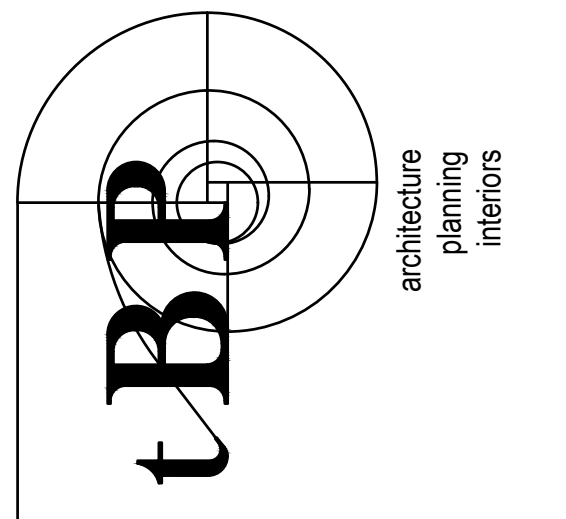


6 THEATER VIDEO PROJECTION SCREEN - DRAPER PARAGON V
SCALE: 3/8"=1'-0"



7 THEATER SURROUND SOUND SPEAKER MOUNT
SCALE: 1-1/2"=1'-0"

DSA Application #02-118286
DSA File #58-C1



1777 Oakland Boulevard, Suite 320
Walnut Creek, CA 94596
ph. 925.246.6419



AV SYSTEM CONSULTANT:
Andrew Design Group, Inc.
626-744-9358
adg@AndrewDesign.com
www.AndrewDesign.com

WOODLAND COMMUNITY COLLEGE
PERFORMING ARTS/
CULINARY SERVICES
FACILITY
2300 E. GIBSON RD., WOODLAND, CA 95776
YUBA COMMUNITY COLLEGE DISTRICT

owner

tBP project number: 22039.00

file name:

drawn by: checked by:

date: Issue Date MAY 17, 2021

rev. date: description:

05/17/2021 BID SET

12/23/2021 ADDENDUM #4

DELTA A17 12/12/2022 ASI 17

FFE 05/30/2023 F&E UPDATE

THIS DRAWING AND THE DESIGN, SPECIFICATIONS, IDEAS AND OTHER INFORMATION CONTAINED HEREIN CONSTITUTE UNPUBLISHED WORK OF ARCHITECTURE AND SHALL REMAIN PROPERTY OF ARCHITECTURE IN PERPETUITY. NO PART THEREOF SHALL BE REPRODUCED, DISCLOSED, DISTRIBUTED, SOLD, RENTED OR OTHERWISE USED IN ANY MANNER WITHOUT THE ADVANCED EXPRESS WRITTEN CONSENT OF ARCHITECTURE.

drawing title:
AV SYSTEM EQUIPMENT DETAILS

drawing no.:
AV-616

drawing of

AV-01 RACK
CONTROL BOOTH EQUIPMENT RACK

44	BLANK
43	(2) SHURE QLXD124 MIC01-01/02
42	(2) SHURE QLXD124 MIC01-03/04
41	BLANK
40	CLEARCOM MS-702 COM01-01
39	
38	BLANK
37	
36	
35	LISTEN TECH LT-800-072 ALS01-01
34	
33	BLANK
32	
31	
30	
29	BLANK
28	
27	
26	BITTREE B96DC-FNAIT/E3M20U12B APB01-01
25	
24	BLANK
23	
22	QSC CORE 510i DSP01-01
21	
20	BLANK
19	QSC IO FRAME 8S DSP02-01
18	
17	BLANK
16	L-ACOUSTICS LA4X US AMP01-01
15	
14	L-ACOUSTICS LA4X US AMP01-02
13	
12	L-ACOUSTICS LA4X US AMP01-03
11	
10	QSC CX-Q 4K8 AMP03-01
9	
8	QSC CX-Q 4K8 AMP03-02
7	
6	QSC CX-Q 4K8 AMP03-03
5	
4	BLANK
3	
2	APC SMX2000RMLV2U UPS01-01
1	

MIDDLE ATLANTIC
WR-44-32

POWER REQUIREMENTS:
(6) 120 VAC, 20AMP CIRCUIT

DEMAND: 6000 WATTS

1 AVR01-01 FRONT
SCALE: 0'-3" = 1'-0"

AV-01 RACK
CONTROL BOOTH EQUIPMENT RACK

44	
43	SHURE ANTO1-01
42	
41	
40	ICP14-01
39	
38	
37	
36	
35	
34	
33	
32	
31	
30	
29	
28	
27	
26	
25	
24	
23	
22	
21	
20	ICP13-01
19	
18	
17	
16	
15	
14	
13	
12	
11	
10	
9	
8	
7	
6	
5	
4	
3	
2	
1	

MIDDLE ATLANTIC
WR-44-32

2 AVR01-01 REAR
SCALE: 0'-3" = 1'-0"

AV-01 RACK
CONTROL BOOTH EQUIPMENT RACK

44	CORNING CCH-01U FIB01-01
43	BLANK
42	VADDIO CAM01-01
41	BLANK
40	BITTREE BH-B216A2B12 VPN01-01
39	
38	BLANK
37	FOR-A HVS-100 VMX01-01
36	
35	BLANK
34	EXTRON ICP PRO 250xi CON01-01
33	BLANK
32	BLACK BOX JPS60A-24 NPB01-01
31	BLANK
30	BLACK BOX JPS60A-24 NPB01-02
29	BLANK
28	BLACK BOX JPS60A-24 NPB01-03
27	BLANK
26	BLACK BOX JPS60A-24 NPB01-04
25	BLANK
24	BLANK
23	HP 6200cx-48G PoE+ NET01-01
22	BLANK
21	DENON DN-500BD VSV03-01
20	BRIGHTSIGN XT244 VSV02-01
19	
18	EXTRON XTP II CROSSPOINT 1600 VSW01-01
17	
16	
15	
14	
13	BLANK
12	
11	
10	
9	BLANK
8	
7	
6	
5	MIDDLE ATLANTIC UD4 AVR01-02
4	
3	
2	APC SMX2000RMLV2U UPS01-01
1	

MIDDLE ATLANTIC
WR-44-32

POWER REQUIREMENTS:
(2) 120 VAC, 20AMP CIRCUIT

DEMAND: 2400 WATTS
3 AVR01-02 FRONT
SCALE: 0'-3" = 1'-0"

AV-01 RACK
CONTROL BOOTH EQUIPMENT RACK

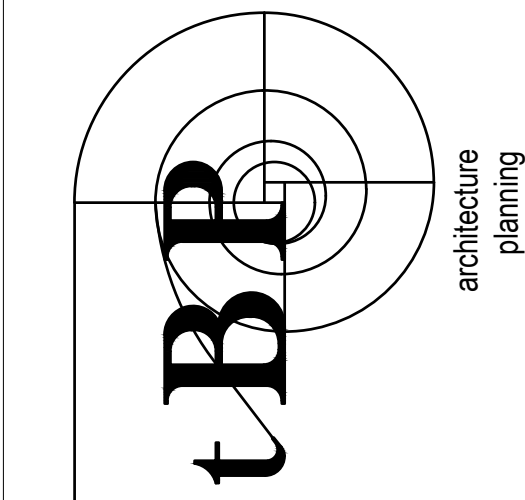
44	
43	
42	
41	
40	
39	
38	
37	
36	
35	
34	
33	
32	
31	
30	
29	
28	
27	
26	
25	
24	
23	
22	
21	
20	
19	
18	
17	
16	
15	
14	
13	
12	
11	
10	
9	
8	
7	
6	
5	
4	
3	
2	
1	

MIDDLE ATLANTIC
WR-44-32

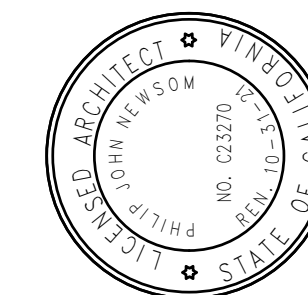
4 AVR01-02 REAR
SCALE: 0'-3" = 1'-0"

DSA Application #02-118286
DSA File #58-C1

agency



IBP/Architecture
1777 Oakland Boulevard, Suite 320
Walnut Creek, CA 94596
ph. 925.246.6419



AV SYSTEM CONSULTANT:
Andrew Design Group, Inc.
AV Consulting and Engineering
Andrew Design Group, Inc.
626-744-9258
adg@AndrewDesign.com
www.AndrewDesign.com

architect

consultant

WOODLAND COMMUNITY COLLEGE
PERFORMING ARTS/
CULINARY SERVICES
FACILITY
2300 E. GIBSON RD, WOODLAND, CA 95776
YUBA COMMUNITY COLLEGE DISTRICT

owner

IBP project number: 22039.00

file name:

drawn by: checked by:

date: Issue Date MAY 17, 2021

rev. date: description:

05/17/2021 BID SET

12/23/2021 ADDENDUM #4

DELTA A17 12/12/2022 ASI 17

FFE 05/30/2023 FFE UPDATE

THIS DRAWING AND THE DESIGN, SPECIFICATIONS, IDEAS AND OTHER INFORMATION CONTAINED HEREIN CONSTITUTE UNPUBLISHED WORK OF ARCHITECTURE AND SHALL REMAIN PROPERTY OF ARCHITECTURE IN PERPETUITY. NO PART THEREOF SHALL BE REPRODUCED, DISCLOSED, DISTRIBUTED, SOLD, PUBLISHED OR OTHERWISE USED IN ANY MANNER WITHOUT THE ADVANCED EXPRESS WRITTEN CONSENT OF ARCHITECTURE.

drawing title:

AV SYSTEMS
ELECTRONIC EQUIPMENT RACK
ELEVATION

drawing no.:

AV-701

drawing of

AVR02-01 RACK
DATA EQUIPMENT ROOM 925

44		BLANK
43	SHURE QLXD124/85	MIC01-01
42		BLANK
41		BLANK
40	QSC 110F	APM02-01
39		BLANK
38	LT-800-072	ALS01-01
37		BLANK
36	EXTRON SMP 351	SMP01-01
35		BLANK
34	EXTRON USB EXT PLUS UTX01-01/01	
33		BLANK
32	EXTRON TLI PRO 201	TPE01-01
31		BLANK
30		BLANK
29	EXTRON DTP CROSSPOINT 108 4K ICP	VSW03-01
28		BLANK
27		BLANK
26	AJA Hi5	HDC01-01/02
25		BLANK
24	EXTRON DTPHDMI4K TX VTX02-01/02	
23		BLANK
22	EXTRON SLPRO500	SLP01-01
21		BLANK
20	EXTRON SLPRO500	SLP01-02
19		BLANK
18	DELL SMFF 7070	GPC01-01
17	BRIGHTSIGN XD234	VMS01-01
16		BLANK
15		BLANK
14	QSC CX-Q 4K8	AMP03-04
13		
12	QSC CX-Q 4K8	AMP03-05
11		
10	QSC CX-Q 4K8	AMP03-06
9		
8		
7	MIDDLE ATLANTIC D4	DRW02-01
6		
5		
4		BLANK
3		
2	APC SMX2000RMLV2U	UPS01-01
1		

MIDDLE ATLANTIC
MRK-4431-AV

POWER REQUIREMENTS:
(3) 120 VAC, 20AMP CIRCUIT
DEMAND: TBD WATTS

5 AVR02-01 FRONT
SCALE: 0'-3" = 1'-0"

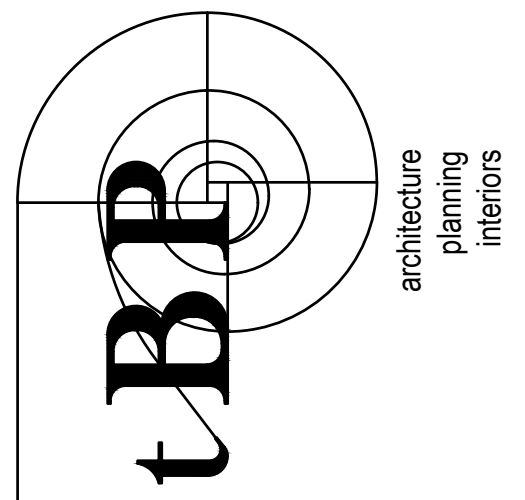
AVR02-01 RACK
DATA EQUIPMENT ROOM 925

44		
43	CORNING CCH-01U	FIB01-02
42		
41		
40	BLACK BOX JPS60A-24	NPB01-01
39		BLANK
38	BLACK BOX JPS60A-24	NPB01-01
37		BLANK
36	HP 6200cx-48G PoE+	NET01-01
35		
34		
33		ICP13-01
32		
31		
30		
29		
28		
27		
26		
25		
24		
23		
22		
21		
20		
19		
18		
17		
16		
15		
14		
13		
12		
11		
10		
9		
8		
7		
6		
5		
4		
3		
2		
1		

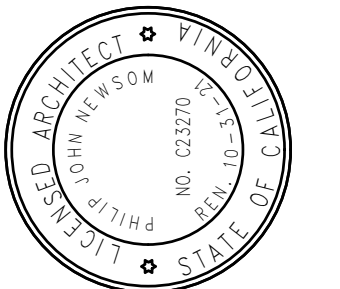
MIDDLE ATLANTIC
MRK-4431-AV

6 AVR02-01 REAR
SCALE: 0'-3" = 1'-0"

DSA Application #02-118286
DSA File #58-C1



agency



IBP/Architecture
1777 Oakland Boulevard, Suite 320
Walnut Creek, CA 94596
ph. 925.246.6419

architect



AV SYSTEM CONSULTANT:
Andrew Design Group, Inc.
AV Consulting and Engineering
626-744-9258
adg@AndrewDesign.com
www.AndrewDesign.com

consultant

WOODLAND COMMUNITY COLLEGE
PERFORMING ARTS/
CULINARY SERVICES
FACILITY
2300 E. GIBSON RD, WOODLAND, CA 95776
YUBA COMMUNITY COLLEGE DISTRICT

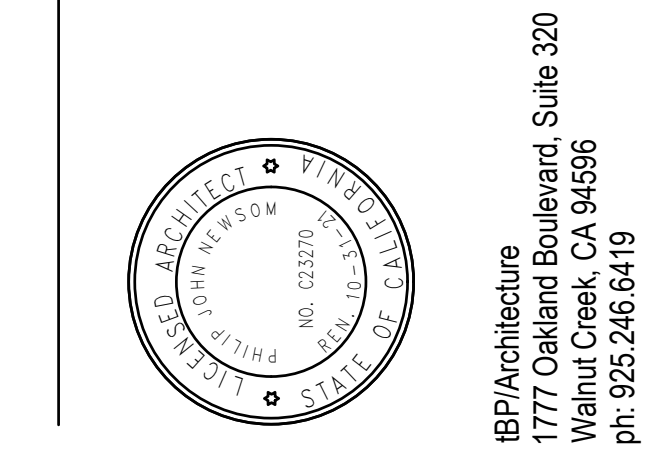
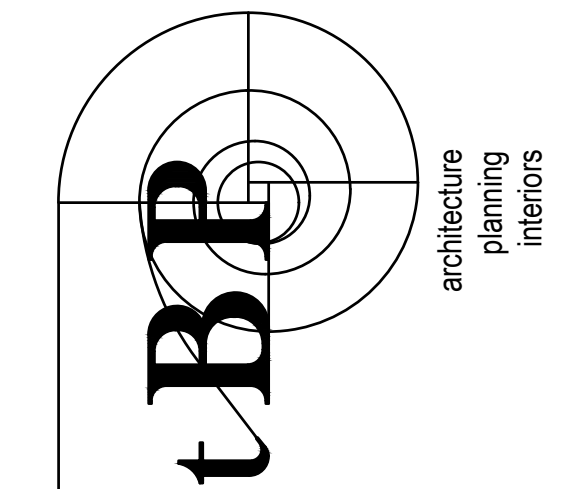
owner

file name:		
drawn by:	checked by:	
date:	Issue Date	MAY 17, 2021
rev.	date:	description:
	05/17/2021	BID SET
	12/23/2021	ADDENDUM #4
DELTA A17	12/12/2022	ASI 17
FFE	05/30/2023	FF&E UPDATE

THIS DRAWING AND THE DESIGN, SPECIFICATIONS, IDEAS AND OTHER INFORMATION CONTAINED HEREIN CONSTITUTE UNPUBLISHED WORK OF ARCHITECTURE AND SHALL REMAIN PROPERTY OF ARCHITECTURE IN PERPETUITY. NO PART THEREOF SHALL BE REPRODUCED, DISCLOSED, DISTRIBUTED, COPIED, PUBLISHED OR OTHERWISE USED IN ANY MANNER WITHOUT THE ADVANCED EXPRESS WRITTEN CONSENT OF ARCHITECTURE.

drawing title:
AV SYSTEMS
ELECTRONIC EQUIPMENT RACK
ELEVATION
drawing no.:
AV-702

drawing of



tBP/Architecture
 1777 Oakland Boulevard, Suite 320
 Walnut Creek, CA 94596
 ph. 925.246.6419

AV SYSTEM CONSULTANT:
A+G Andrew Design Group, Inc.
 A/V Consulting and Engineering
 Andrew Design Group, Inc.
 626-744-9358
 asg@AndrewDesign.com
 www.AndrewDesign.com

consultant

WOODLAND COMMUNITY COLLEGE
 PERFORMING ARTS/
 CULINARY SERVICES
 FACILITY
 2300 E. GIBSON RD., WOODLAND, CA 95776
 YUBA COMMUNITY COLLEGE DISTRICT

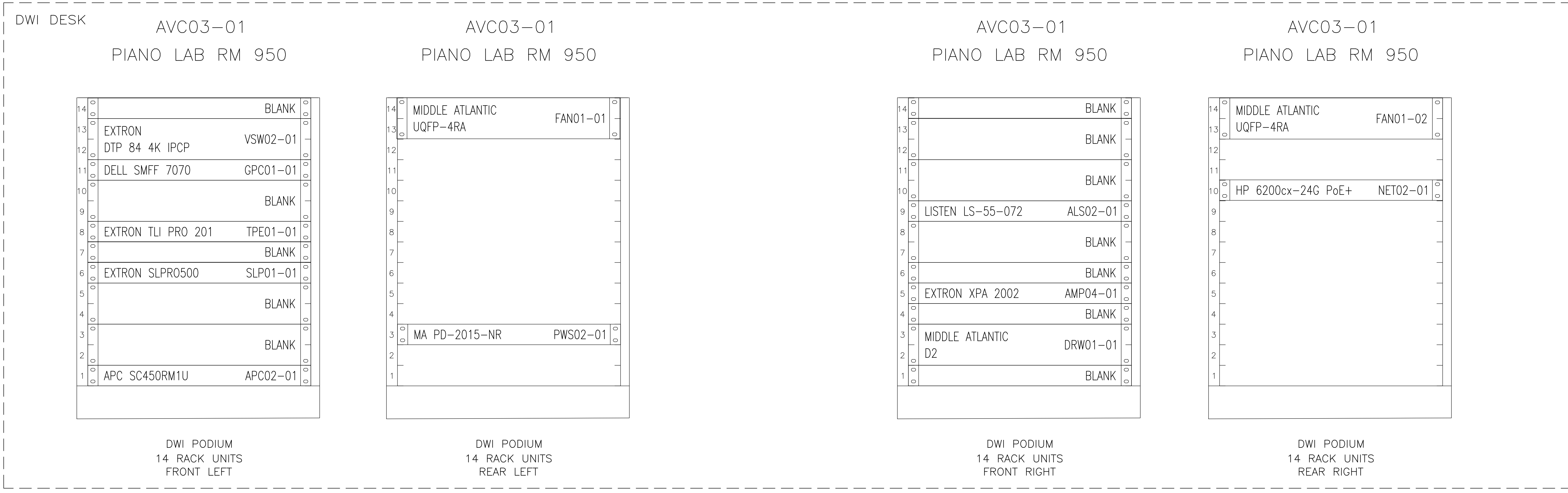
owner

tBP project number: 22039.00	
file name:	
drawn by:	checked by:
date: Issue Date	MAY 17, 2021
rev.	date: description:
	05/17/2021 BID SET
	12/23/2021 ADDENDUM #4
DELTA A17	12/12/2022 ASI 17
FFE	05/30/2023 FF&E UPDATE

THIS DRAWING AND THE DESIGN, SPECIFICATIONS, IDEAS AND OTHER INFORMATION CONTAINED HEREIN CONSTITUTE UNPUBLISHED WORK OF ARCHITECTURE AND SHALL REMAIN PROPERTY OF ARCHITECTURE IN PERPETUITY. NO PART HEREOF SHALL BE REPRODUCED, DISCLOSED, DISTRIBUTED, COPIED, PUBLISHED OR OTHERWISE USED IN ANY MANNER WITHOUT THE EXPRESS WRITTEN CONSENT OF ARCHITECTURE.

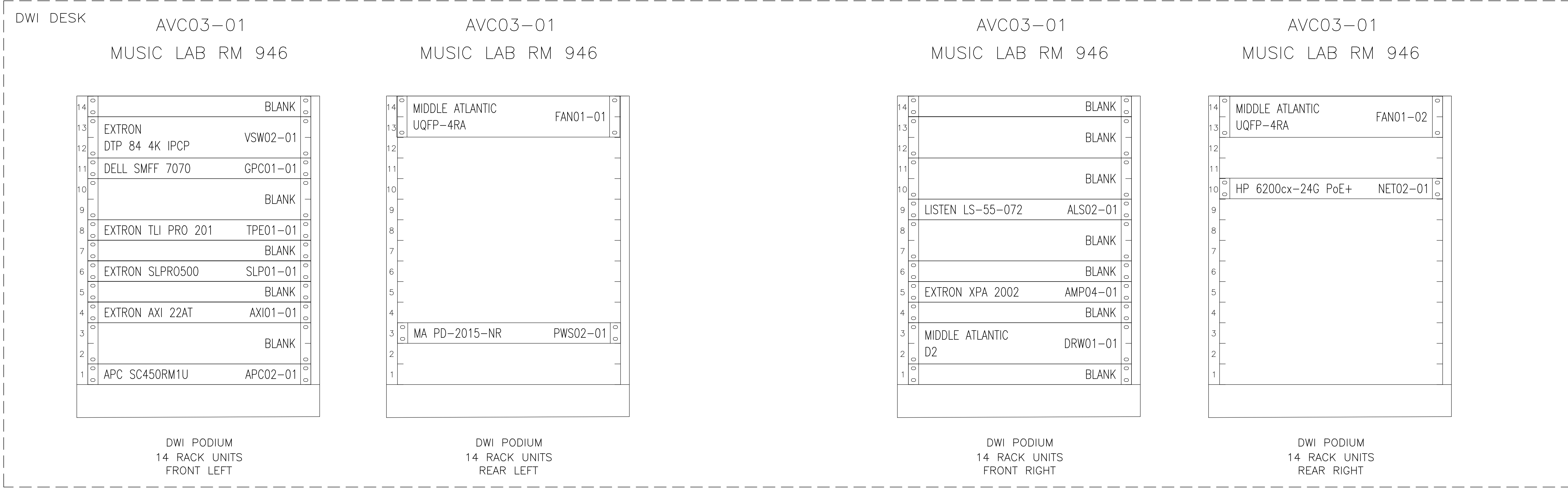
drawing title:
 AV SYSTEMS
 ELECTRONIC EQUIPMENT RACK
 ELEVATION
 drawing no.:
AV-703

drawing of



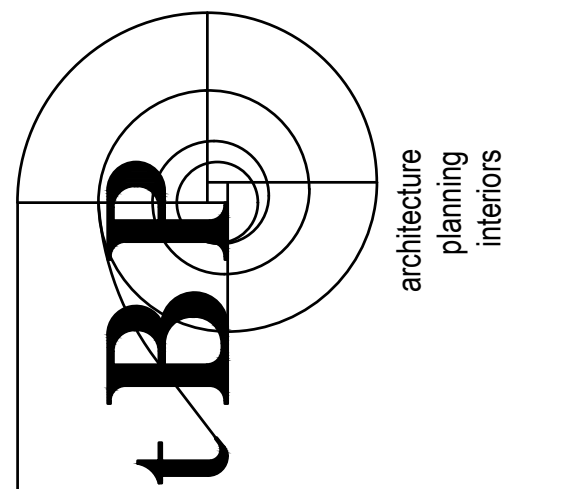
POWER REQUIREMENTS:
 (2) 120 VAC, 20AMP CIRCUIT (SECOND CIRCUIT FOR FUTURE USE)
 DEMAND: 1167 WATTS

7 DWI DESK PODIUM - PIANO LAB RM 950
 SCALE: 0'-3" = 1'-0"

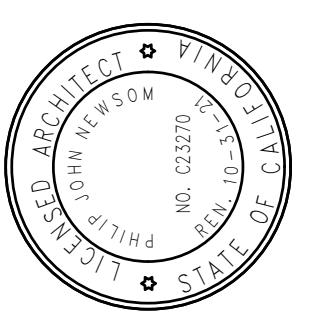


POWER REQUIREMENTS:
 (2) 120 VAC, 20AMP CIRCUIT (SECOND CIRCUIT FOR FUTURE USE)
 DEMAND: 1175 WATTS

8 DWI DESK PODIUM - MUSIC LAB RM 946
 SCALE: 0'-3" = 1'-0"



architecture
 planning
 interiors



tBP/Architecture
 1777 Oakland Boulevard, Suite 320
 Walnut Creek, CA 94596
 ph: 925.246.6419

AV SYSTEM CONSULTANT:



Andrew Design Group, Inc.
 626-744-9358
 asg@AndrewDesign.com
 www.AndrewDesign.com

architect

consultant

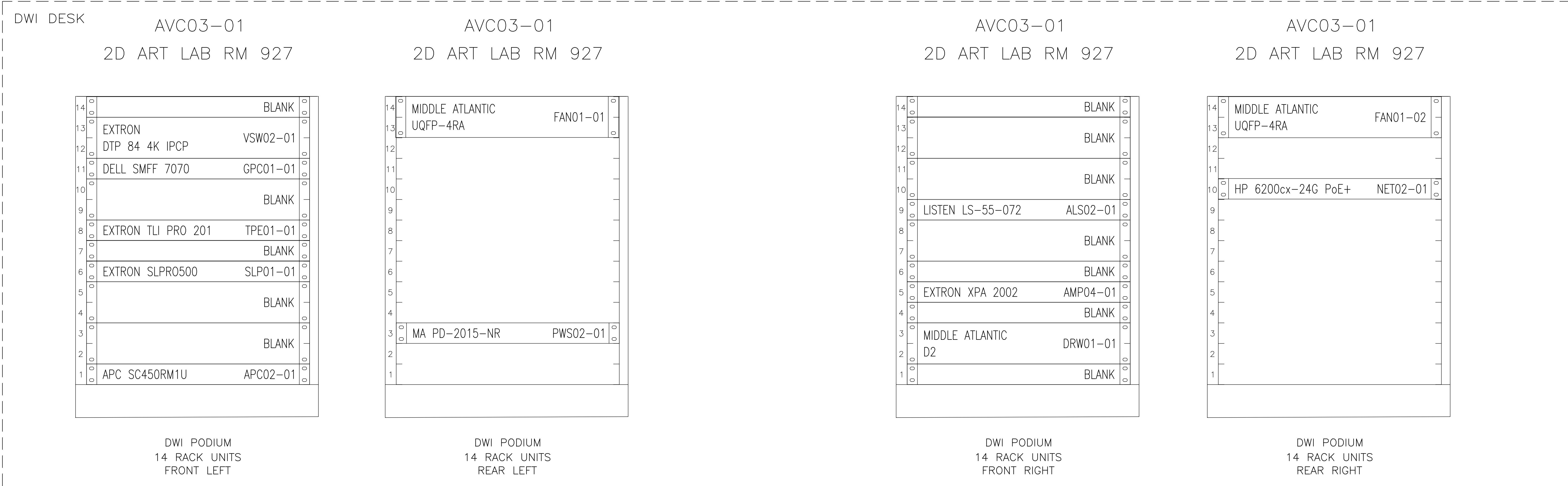
WOODLAND COMMUNITY COLLEGE
 PERFORMING ARTS/
 CULINARY SERVICES
 FACILITY
 2300 E. GIBSON RD., WOODLAND, CA 95776
 YUBA COMMUNITY COLLEGE DISTRICT

owner

tBP project number:	22039.00
file name:	
drawn by:	checked by:
date:	Issue Date MAY 17, 2021
rev.	date: description:
	05/17/2021 BID SET
	12/23/2021 ADDENDUM #4
DELTA A17	12/12/2022 ASI 17
FFE	05/30/2023 FF&E UPDATE

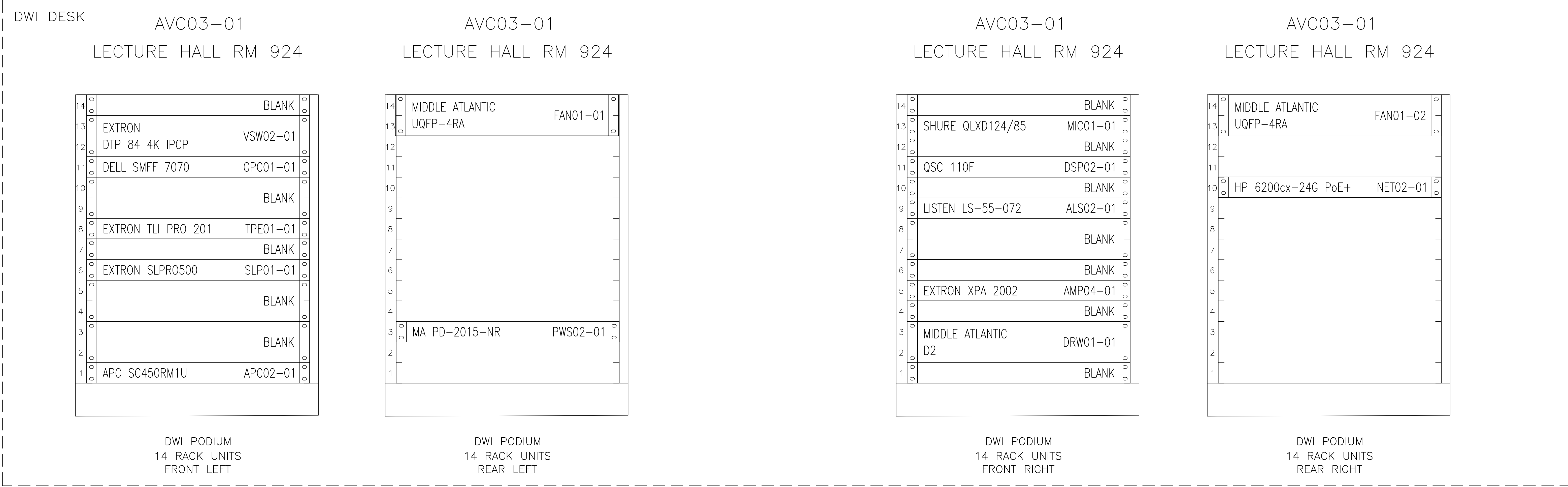
THIS DRAWING AND THE DESIGN, SPECIFICATIONS, IDEAS AND OTHER INFORMATION CONTAINED HEREIN CONSTITUTE UNPUBLISHED WORK OF ARCHITECTURE AND SHALL REMAIN PROPERTY OF ARCHITECTURE IN PERPETUITY. NO PART HEREOF SHALL BE REPRODUCED, DISCLOSED, DISTRIBUTED, COPIED, PUBLISHED OR OTHERWISE USED IN ANY MANNER WITHOUT THE ADVANCED EXPRESS WRITTEN CONSENT OF ARCHITECTURE.

drawing title:
 AV SYSTEMS
 ELECTRONIC EQUIPMENT RACK
 ELEVATION
 drawing no.:
AV-704



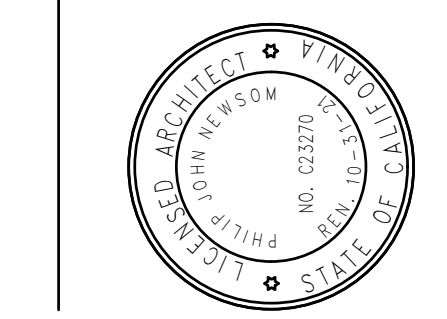
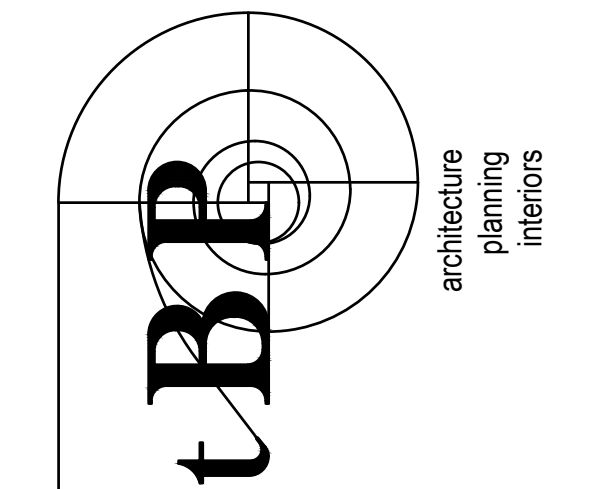
POWER REQUIREMENTS:
 (2) 120 VAC, 20AMP CIRCUIT (SECOND CIRCUIT FOR FUTURE USE)
 DEMAND: 1167 WATTS

9 DWI DESK PODIUM - 2D ART LAB RM 927
 SCALE: 0'-3" = 1'-0"



POWER REQUIREMENTS:
 (2) 120 VAC, 20AMP CIRCUIT (SECOND CIRCUIT FOR FUTURE USE)
 DEMAND: 1297 WATTS

10 DWI DESK PODIUM - LECTURE HALL RM 924
 SCALE: 0'-3" = 1'-0"



tBP/Architecture
 1777 Oakland Boulevard, Suite 320
 Walnut Creek, CA 94596
 ph: 925.246.6419

architect

AV SYSTEM CONSULTANT:



Andrew Design Group, Inc.
 626-744-9358
 asg@AndrewDesign.com
 www.AndrewDesign.com

consultant

WOODLAND COMMUNITY COLLEGE
 PERFORMING ARTS/
 CULINARY SERVICES
 FACILITY
 2300 E. GIBSON RD., WOODLAND, CA 95776
 YUBA COMMUNITY COLLEGE DISTRICT

owner

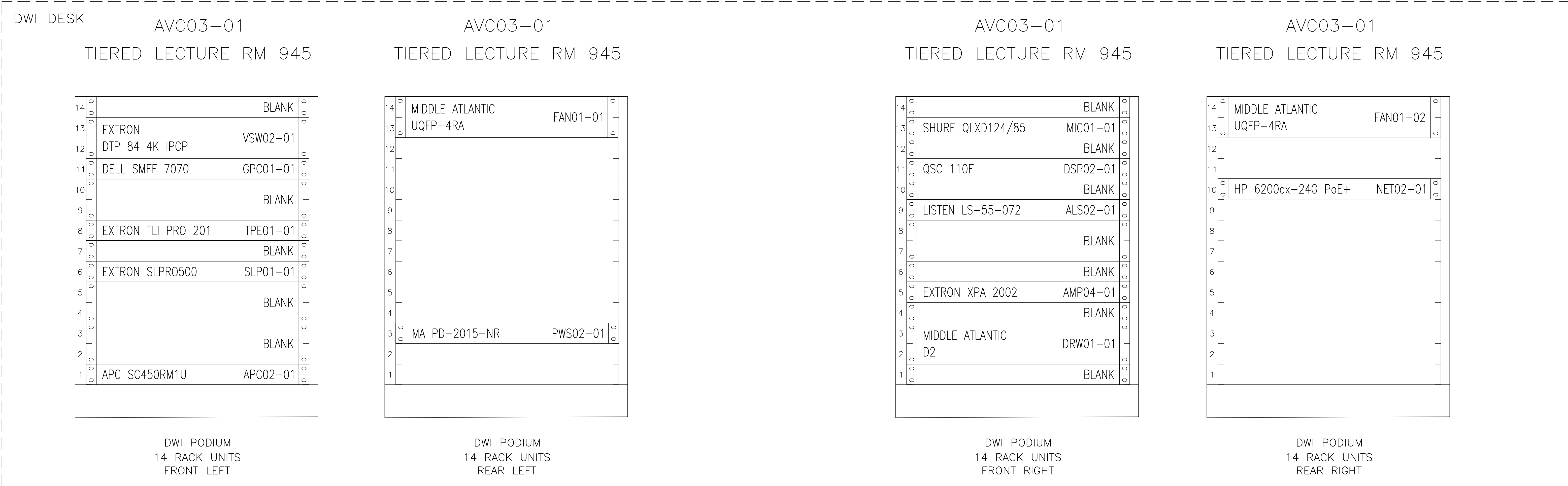
tBP project number: 22039.00	
file name:	
drawn by:	checked by:
date: Issue Date	MAY 17, 2021
rev.	date: description:
	05/17/2021 BID SET
	12/23/2021 ADDENDUM #4
DELTA A17 12/12/2022 ASI 17	
FFE	05/30/2023 FF&E UPDATE

THIS DRAWING AND THE DESIGN, SPECIFICATIONS, IDEAS AND OTHER INFORMATION CONTAINED HEREIN CONSTITUTE UNPUBLISHED WORK OF ARCHITECTURE AND SHALL REMAIN PROPERTY OF ARCHITECTURE IN PERPETUITY. NO PART THEREOF SHALL BE REPRODUCED, DISCLOSED, DISTRIBUTED, SOLD, PUBLISHED OR OTHERWISE USED IN ANY WAY WITHOUT THE ADVANCED EXPRESS WRITTEN CONSENT OF ARCHITECTURE.

drawing title:
 AV SYSTEMS
 ELECTRONIC EQUIPMENT RACK
 ELEVATION

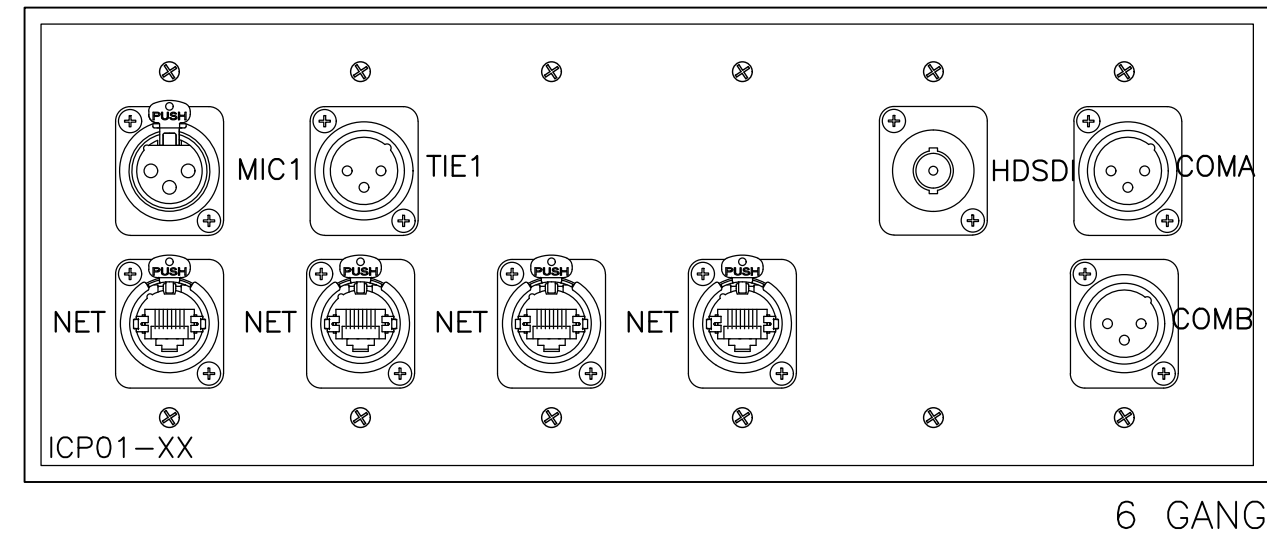
drawing no.:
 AV-705

drawing of

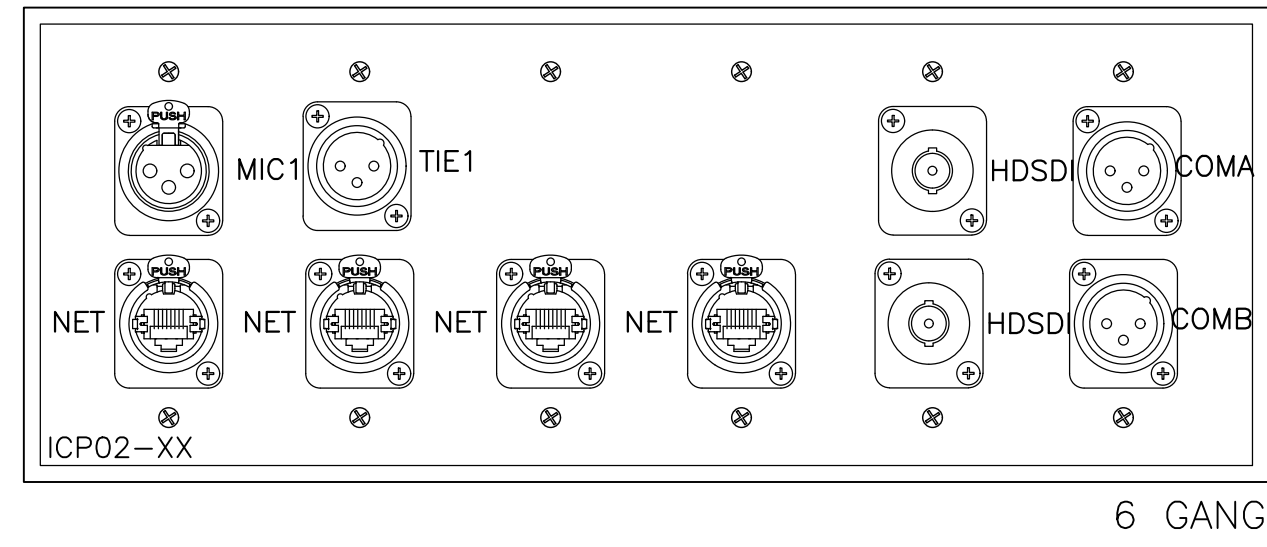


POWER REQUIREMENTS:
 (2) 120 VAC, 20AMP CIRCUIT (SECOND CIRCUIT FOR FUTURE USE)
 DEMAND: 1297 WATTS

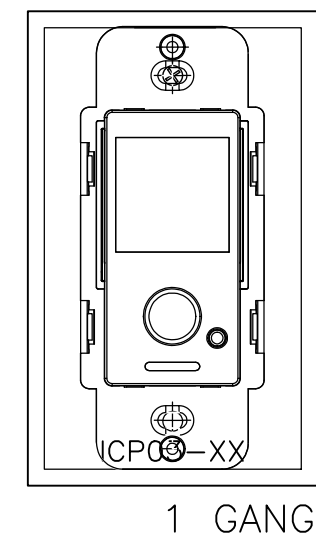
11 DWI DESK PODIUM - TIERED LECTURE RM 945
 SCALE: 0'-3" = 1'-0"



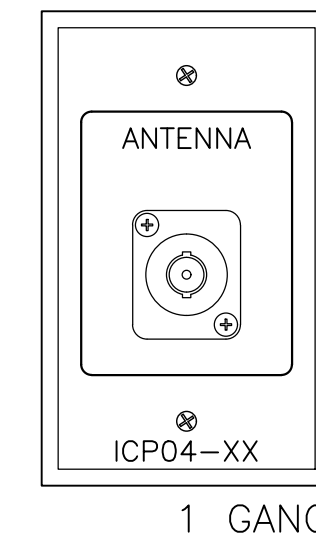
1 ICP01 (TYP OF 2)
SCALE: 1:2



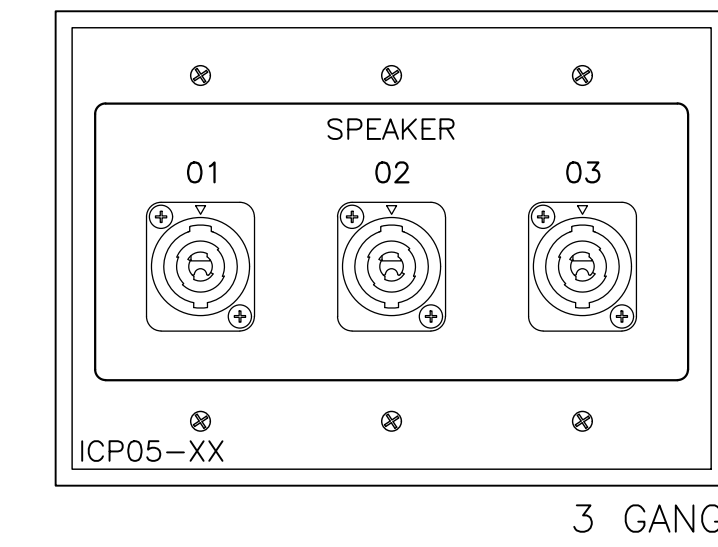
2 ICP02 (TYP OF 2)
SCALE: 1:2



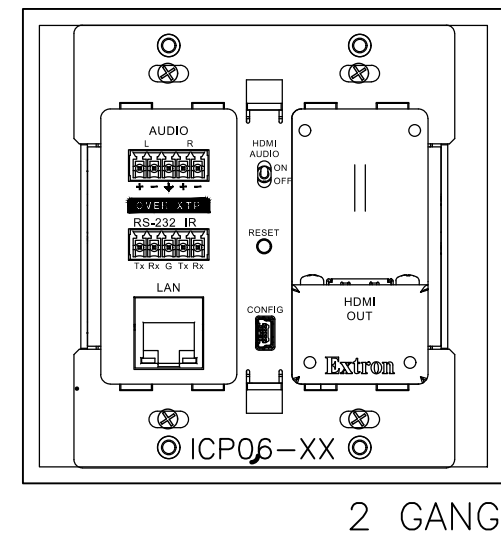
3 ICP03 QSC VOLUME (TYP OF 3)
SCALE: 1:2



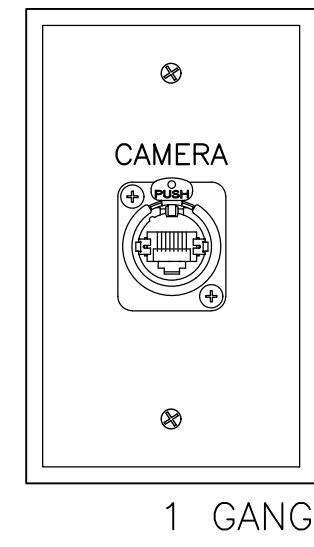
4 ICP04 (TYP OF 3)
SCALE: 1:2



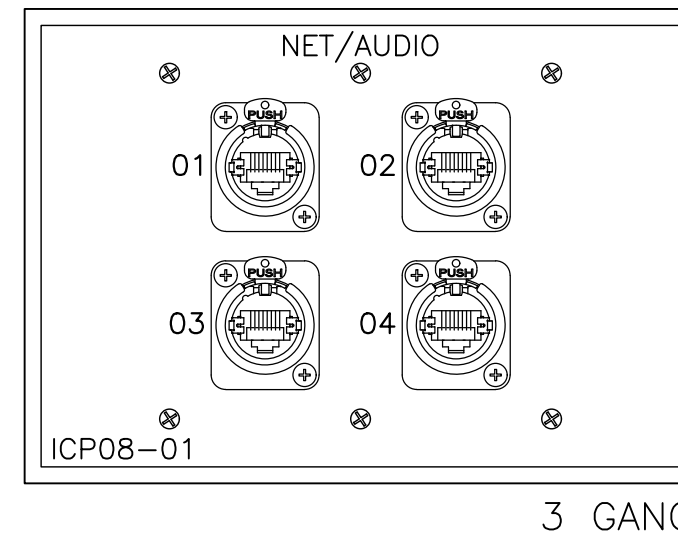
5 ICP05 (TYP OF 5)
SCALE: 1:2



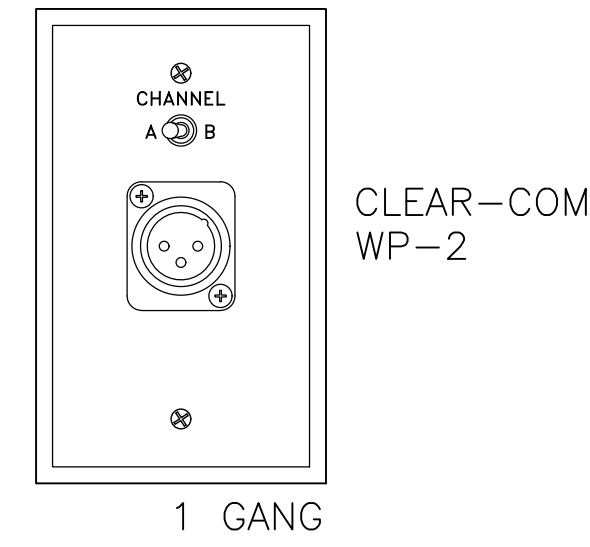
6 ICP06 IP VIDEO
SCALE: 1:2



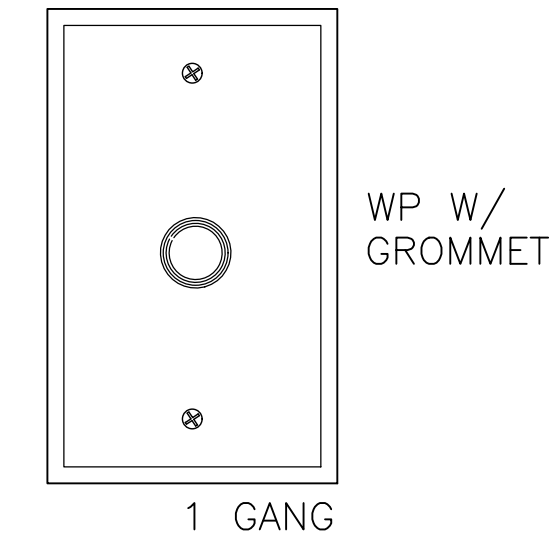
7 ICP07-01
SCALE: 1:2



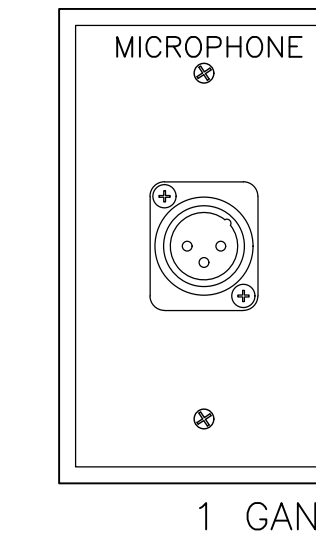
8 ICP08
SCALE: 1:2



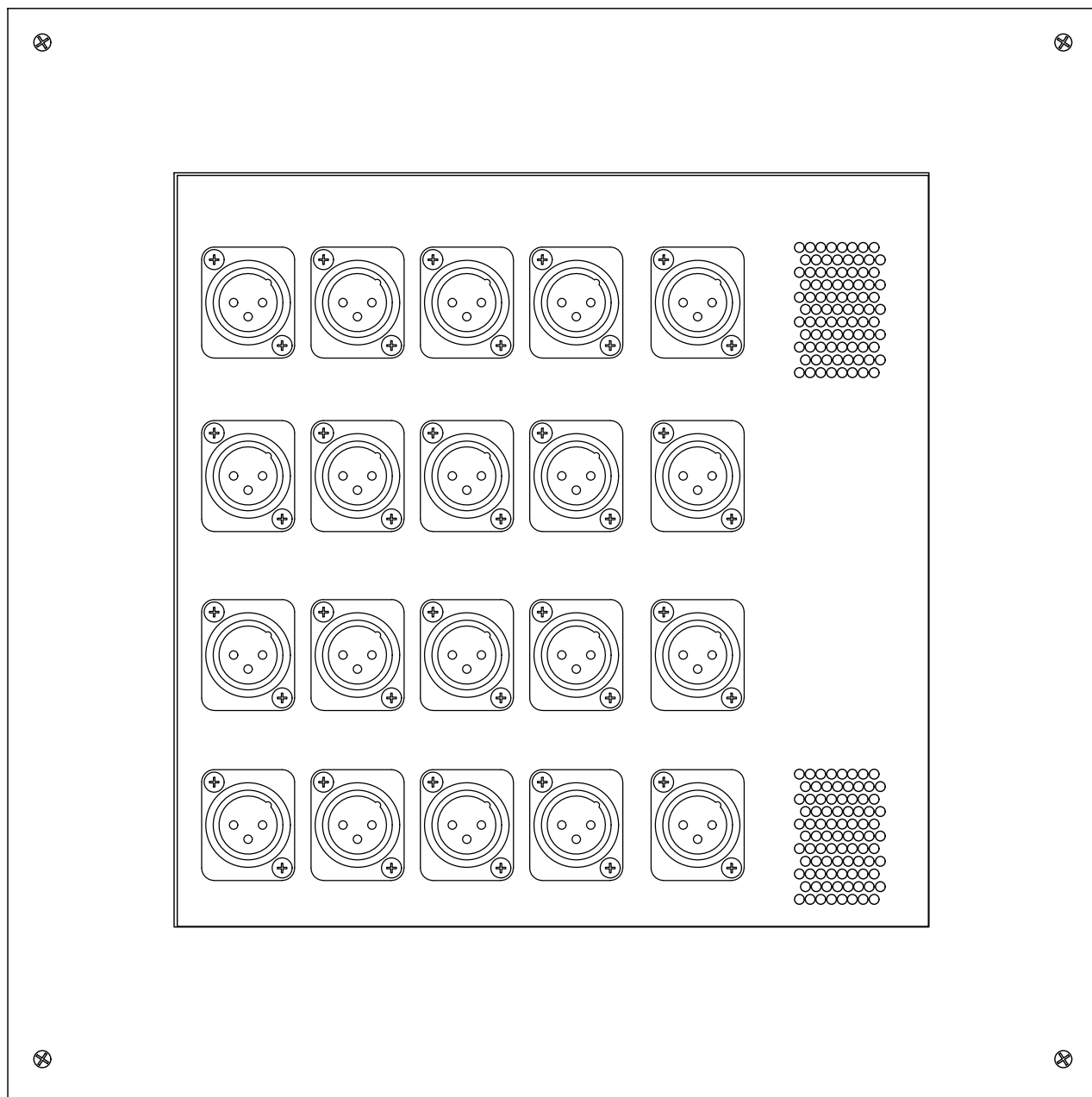
9 ICP9 CLEARCOM WP2
SCALE: 1:2



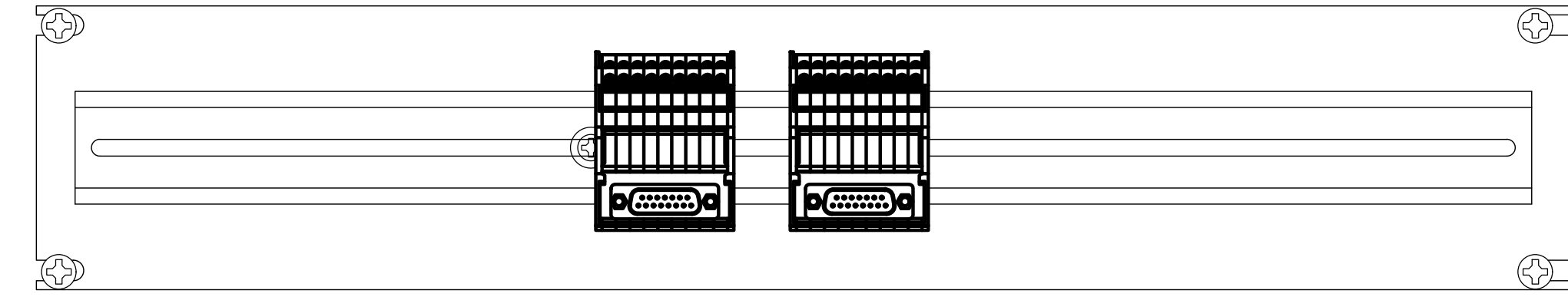
10 ICP10 WALL PLATE
SCALE: 1:2



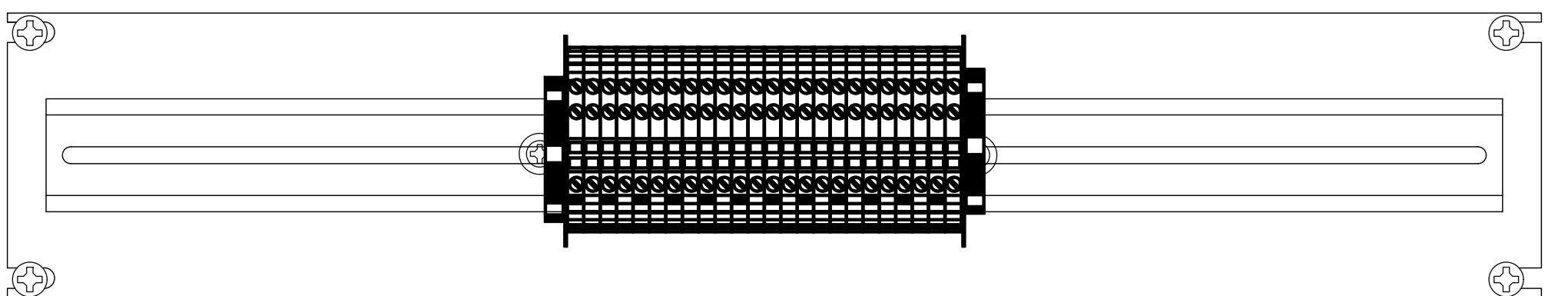
11 ICP11 OVERHEAD MIC
SCALE: 1:2



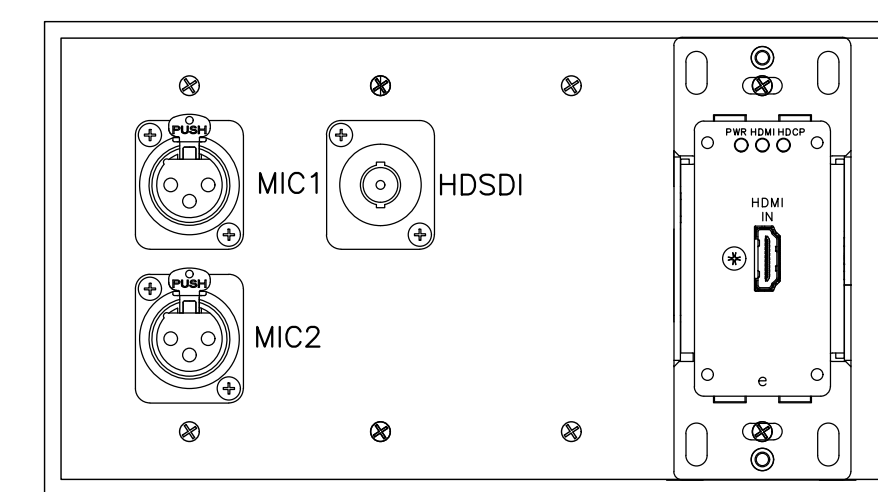
12 DAC01 ALLEN HEATH IO (TYP OF 3)
SCALE: 1:2



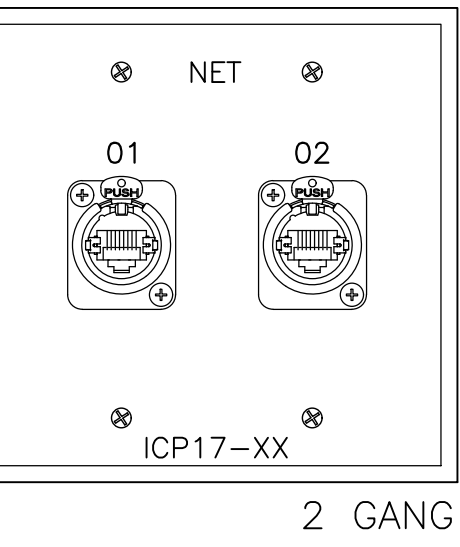
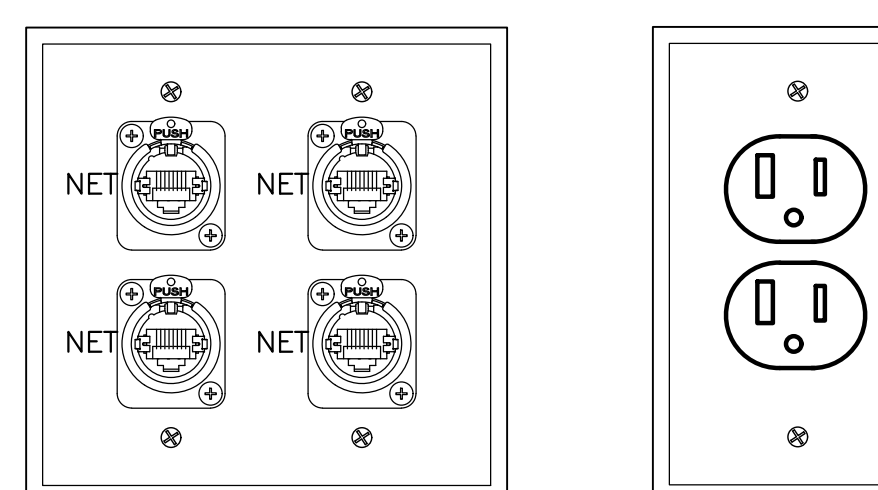
13 ICP13-01 QSC GPIO PANEL
SCALE: NONE



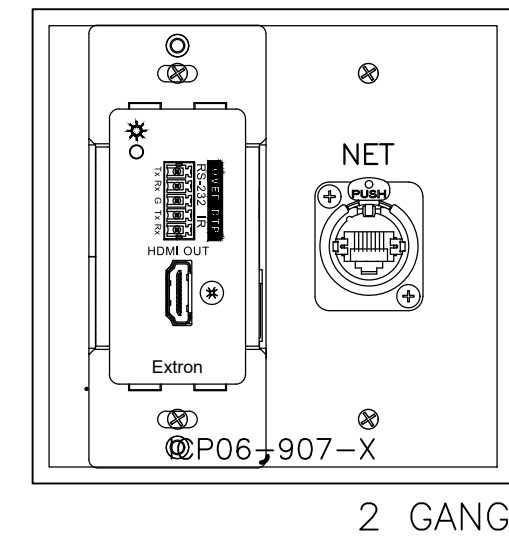
14 ICP14-01 INTERCOM TERMINATION PANEL
SCALE: NONE



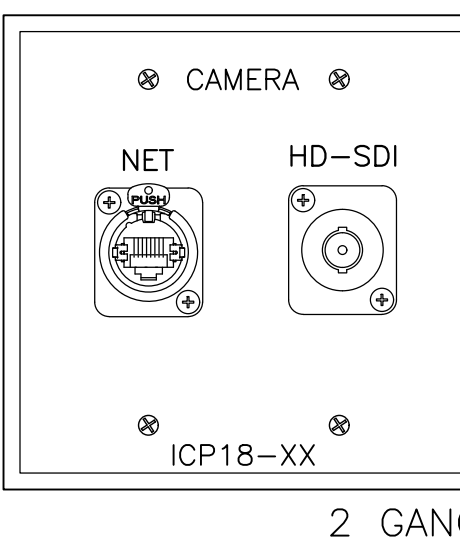
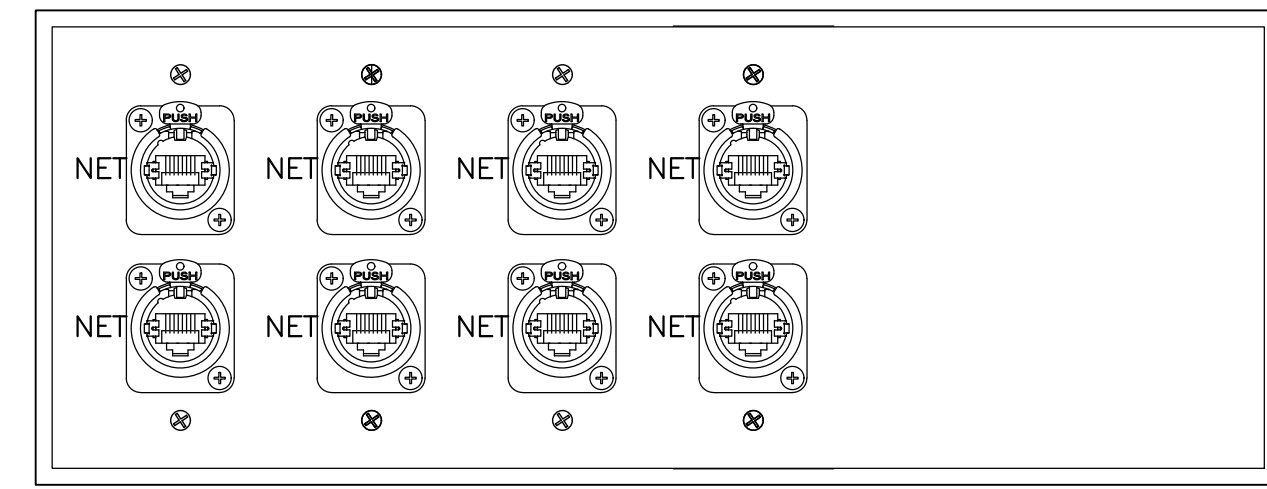
15 FLB01-01 FLOOR BOX LAYOUT
SCALE: NONE



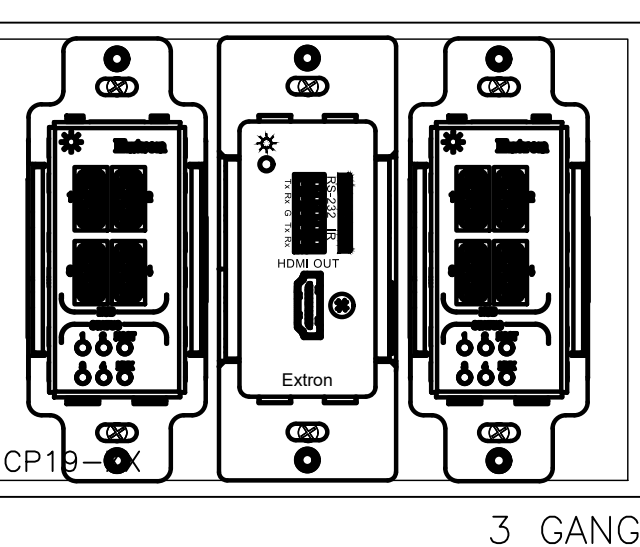
17 ICP17 NET DEVICE
SCALE: 1:2



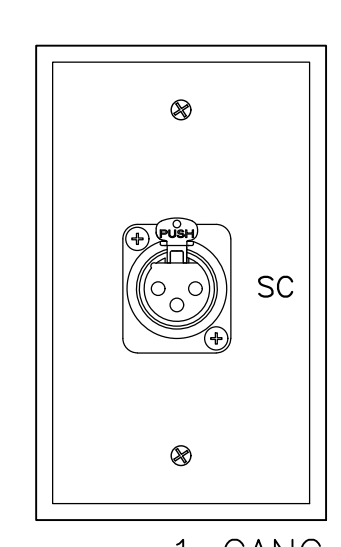
21 ICP06-907-X IP VIDEO
SCALE: 1:2



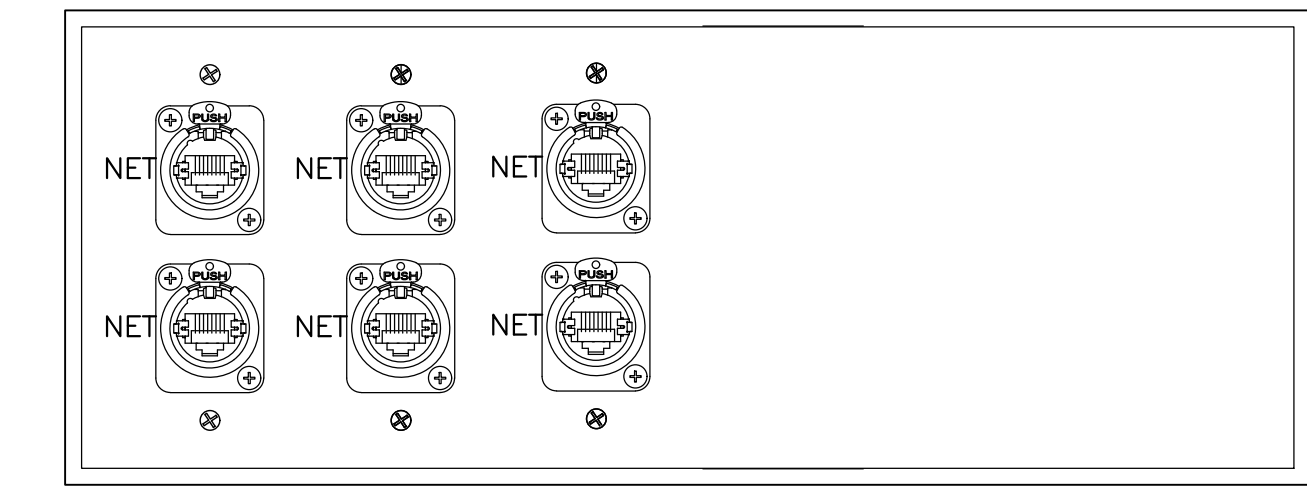
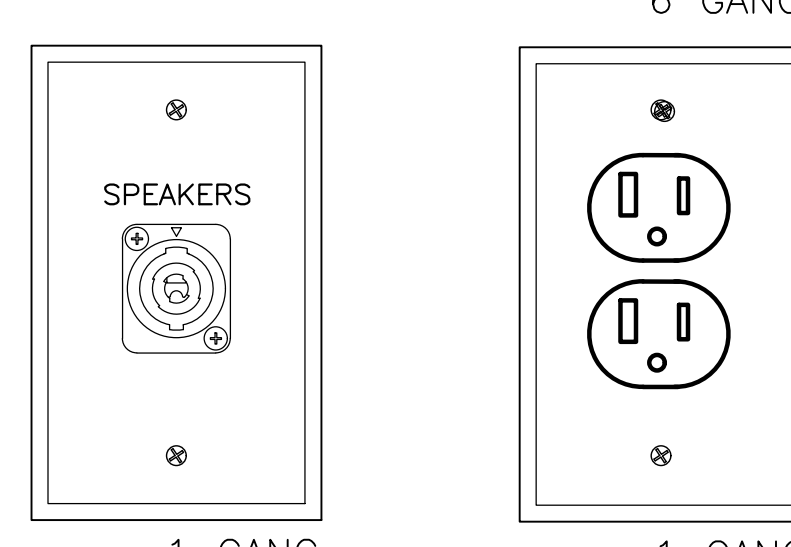
18 ICP18 IP CAMERA
SCALE: 1:2



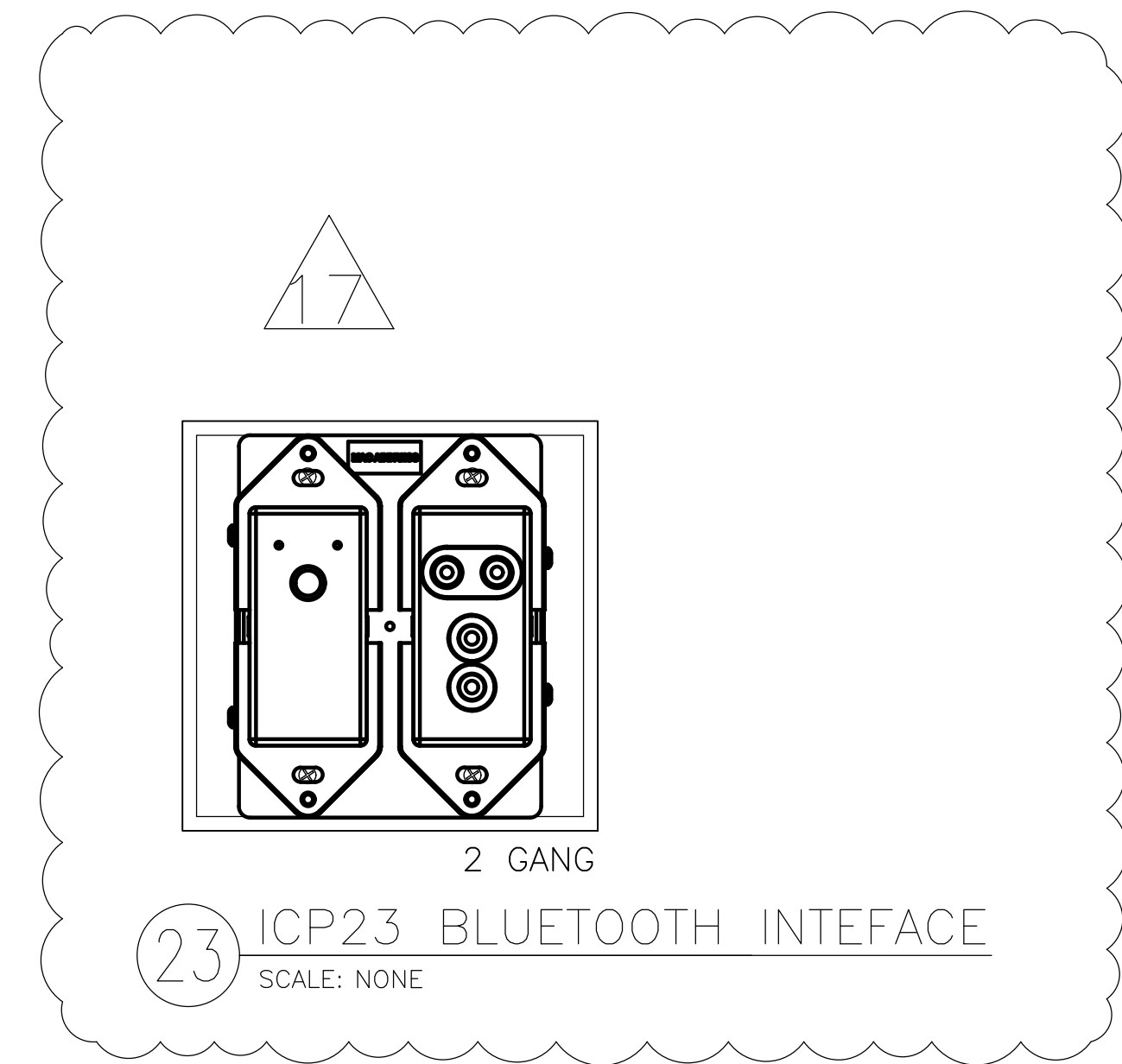
19 ICP19 TP INTERFACE
SCALE: 1:2



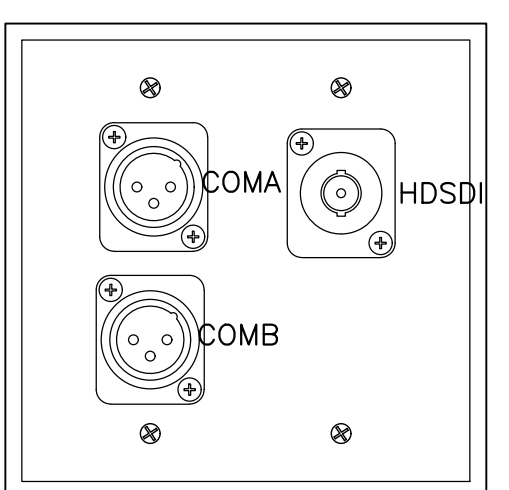
20 FLB02-01 FLOOR BOX LAYOUT
SCALE: NONE



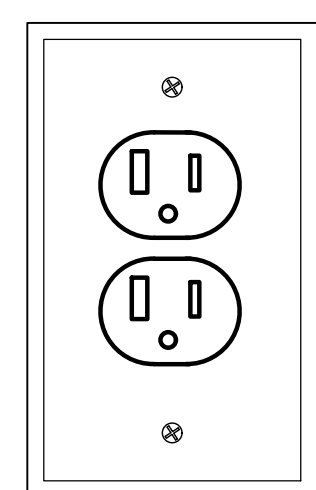
22 FLB02-02 FLOOR BOX LAYOUT
SCALE: NONE



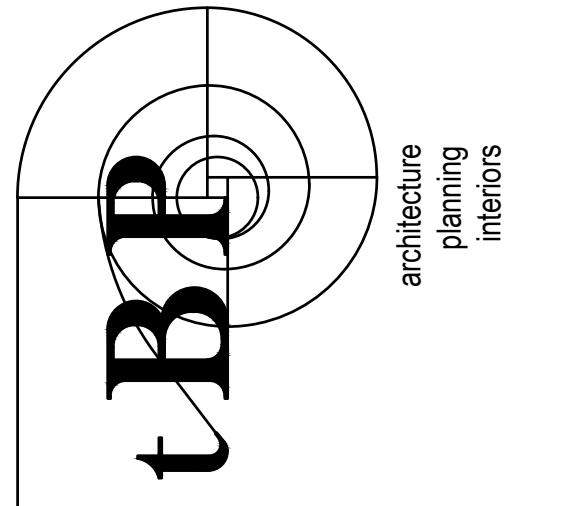
23 ICP23 BLUETOOTH INTEFACE
SCALE: NONE



16 FLB01-03 FLOOR BOX LAYOUT
SCALE: NONE



DSA Application #02-118286
DSA File #58-C1



tBP/Architecture
1777 Oakland Boulevard, Suite 320
Walnut Creek, CA 94596
ph. 925.246.6419



AV SYSTEM CONSULTANT:
Andrew Design Group, Inc.
AV Consulting and Engineering
626-744-9258
adg@AndrewDesign.com
www.AndrewDesign.com

consultant

WOODLAND COMMUNITY COLLEGE
PERFORMING ARTS/
CULINARY SERVICES
FACILITY
2300 E. GIBSON RD, WOODLAND, CA 95776
YUBA COMMUNITY COLLEGE DISTRICT

owner

file name:	22039.00
drawn by:	checked by:
date:	Issue Date MAY 17, 2021
rev.	date: description:
	05/17/2021 BID SET
	12/23/2021 ADDENDUM #4
	DELTA A17 12/12/2022 ASI 17
	FFE 05/30/2023 F&E UPDATE

THIS DRAWING AND THE DESIGN, SPECIFICATIONS, IDEAS AND OTHER INFORMATION CONTAINED HEREIN CONSTITUTE UNPUBLISHED WORK OF ARCHITECTURE AND SHALL REMAIN PROPERTY OF ARCHITECTURE IN PERPETUITY. NO PART THEREOF SHALL BE REPRODUCED, DISCLOSED, DISTRIBUTED, COPIED, PUBLISHED OR OTHERWISE USED IN ANY MANNER WITHOUT THE ADVANCED EXPRESS WRITTEN CONSENT OF ARCHITECTURE.

drawing title:
AV PANEL LAYOUT

drawing no.:
AV-706

drawing of